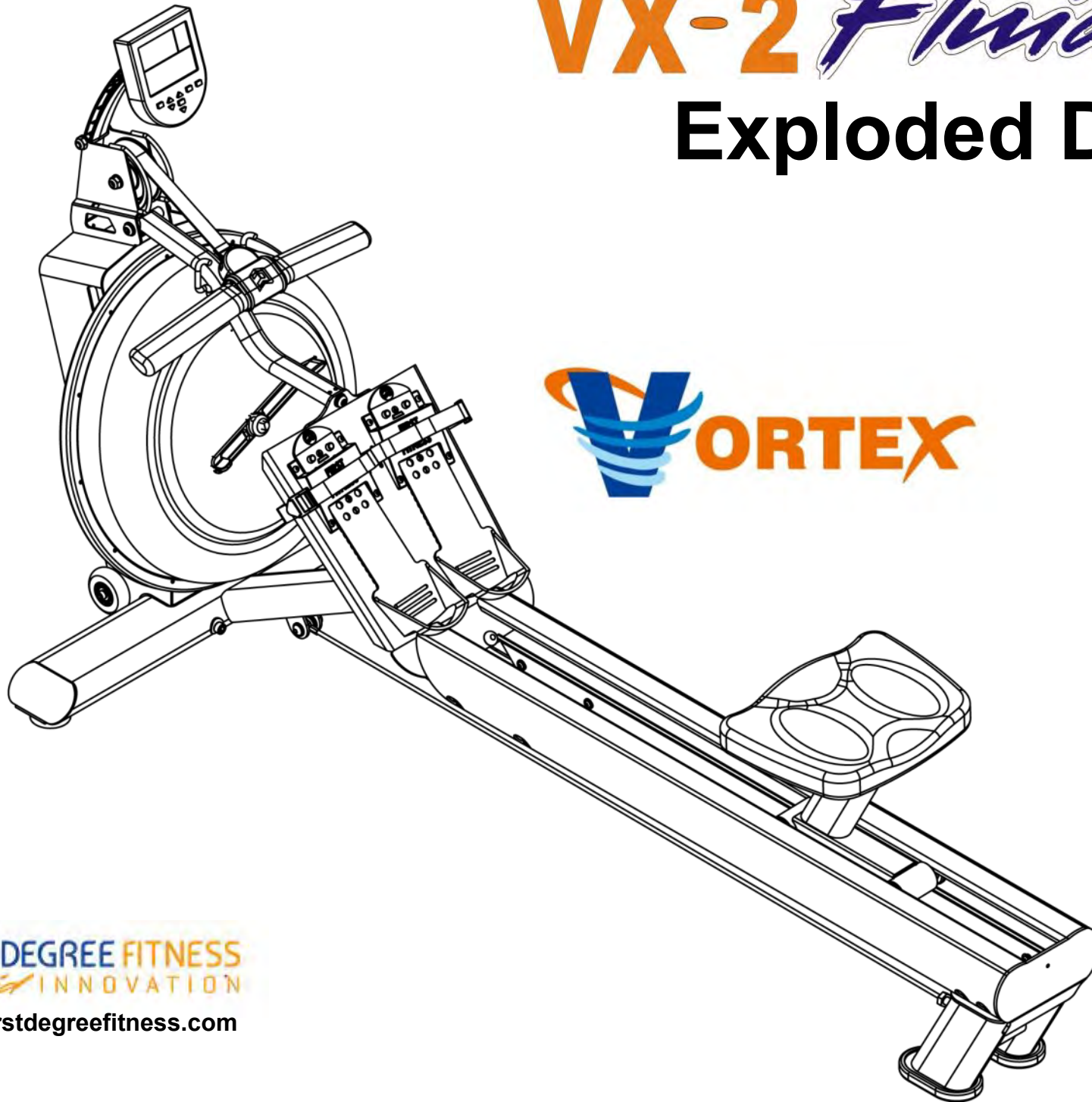
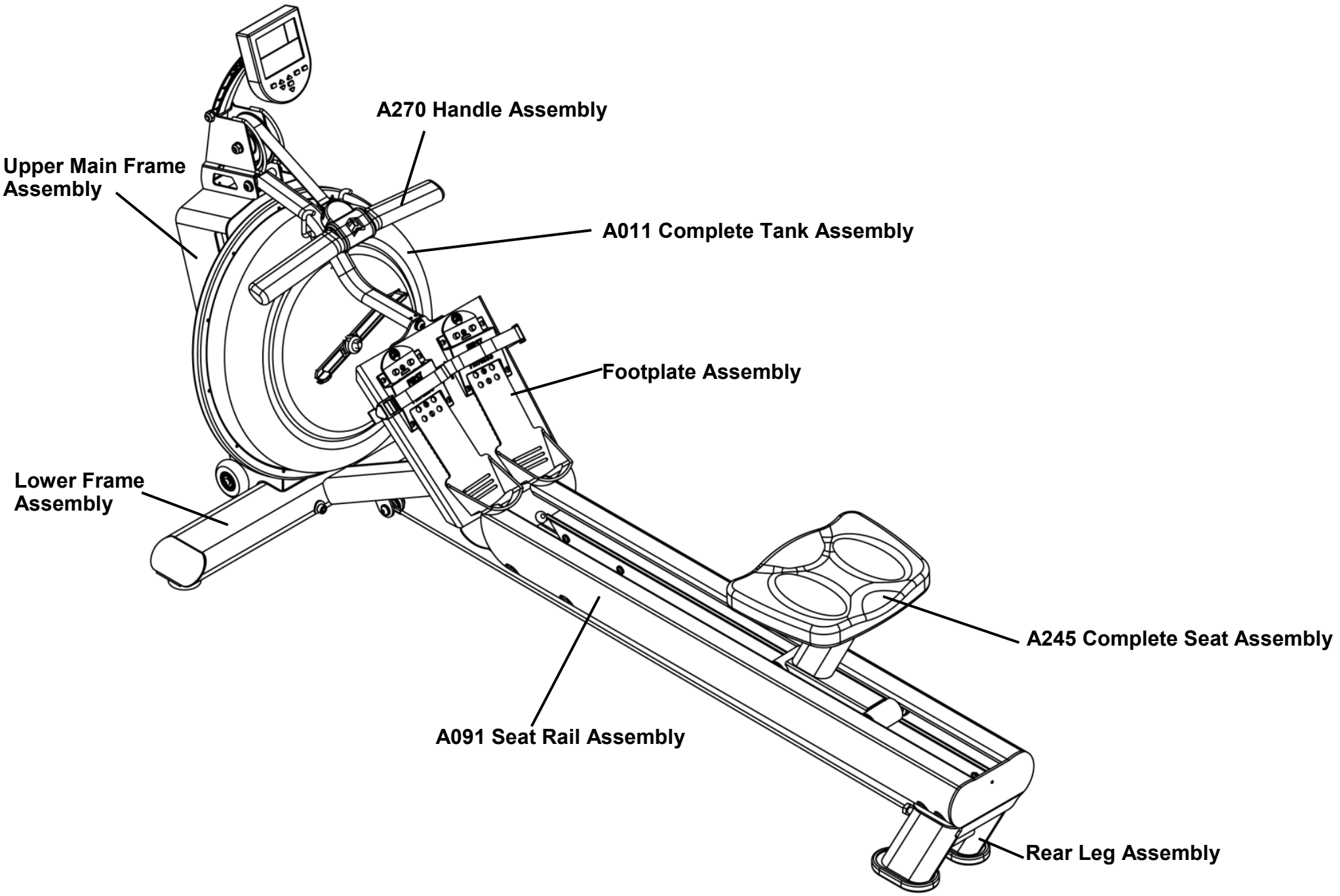


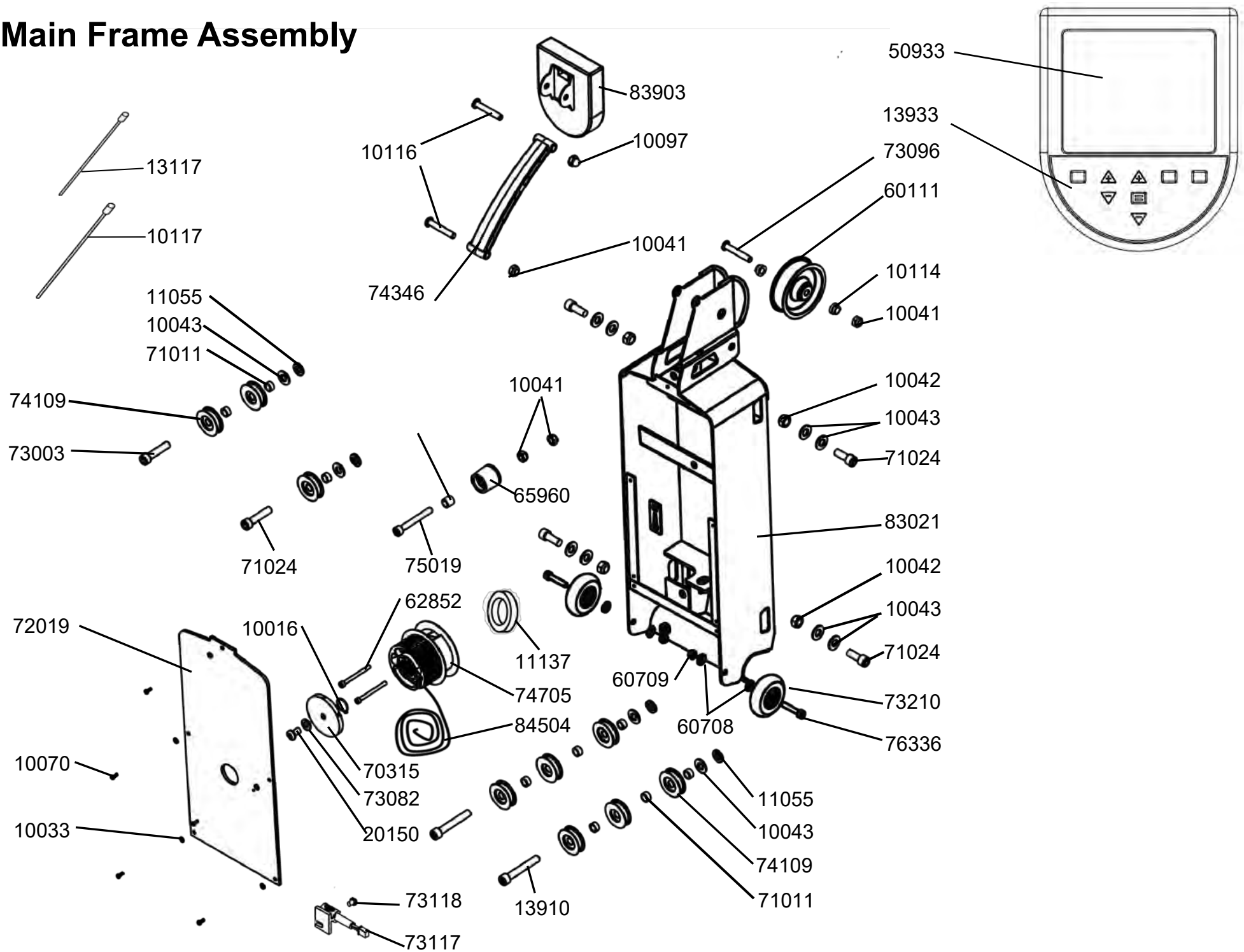
VX-2 *Fluid* ROWER

Exploded Diagram



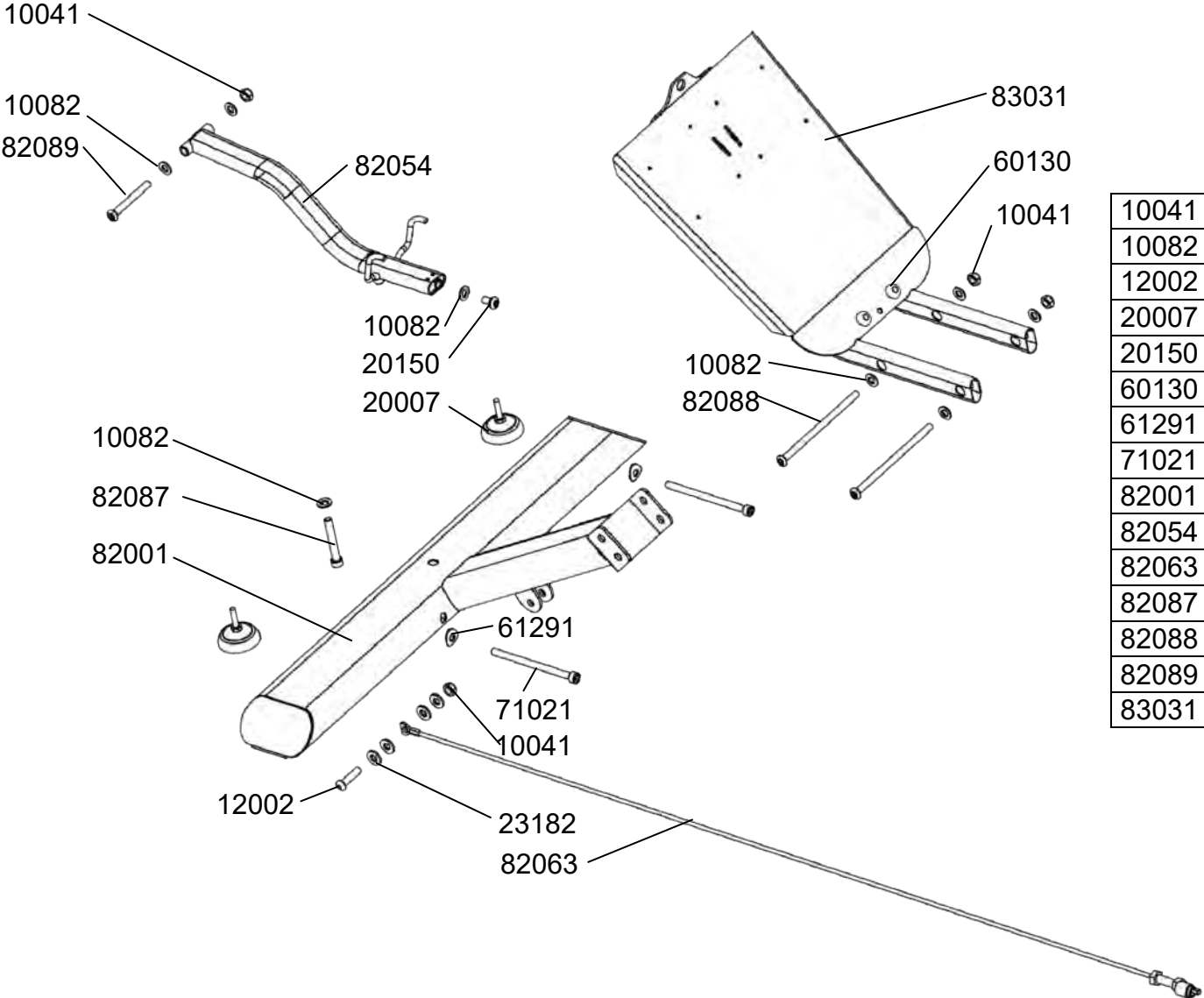


Upper Main Frame Assembly



10016	1	C Clip STW-25	65960	1	Idle Wheel & Bearing 6000ZZ x 2 #60112
10033	5	Washer M4x10x1	70315	1	Magnetic Ring & Rare Earth Magnet x6 (70319)
10041	4	Nyloc Nut M10	71011	10	Bungee Pulley Spacer 12x16x8
10042	4	Nyloc Nut M12	71024	5	Hex Head Bolt M12x35
10043	12	Washer M13x24x2t	72019	1	PVC Cover & Decal
10070	5	Round Head Phillips Screw M4x10	73003	1	Hex Head Bolt M12x50
10097	1	Nut Dome Head M10	73082	1	Washer 30x10.2x3t SUS
10114	2	Plastic Bushing 20x16x13x10	73096	1	Dome Head Bolt M10x65
10116	2	Dome Head Bolt M10x60	73117	1	Sensor Lead 30cm
10117	1	Computer Wiring 1200mm	73118	1	Round Head Phillips Screw M4x6
11055	4	Plastic Washer M13x23x3-B	73210	2	Transport Wheel 8x76x25
11137	1	Belt Pulley Spacer 38.1x25.7x7.5t	74109	9	Bungee Pulley & Bearing(6001Z) 12x50x15
13117	1	Heart Rate Wiring 1050mm - Upper	74346	1	Computer Stalk
13910	2	Hex Head Bolt M12x65	74705	1	Belt/Bungee Pulley, One Way & Needle Bearings
13933	1	IPM Button Face	75019	1	Hex Head Bolt M10x75mm
20150	1	Dome Head Bolt M10x15	76336	2	Hex Head Bolt M8x40
50933	1	LCD for IPM	83021	1	Upper Frame with Decals- VX-2
60111	1	Belt Pulley & 2x Bearing 10x105x32	83903	1	IPM with USB without HR
60708	4	Washer M8.5x19x1.6t	84504	1	Bungee 6mmx312CM
60709	2	Nyloc Nut M8			
62852	2	Hex Head Bolt M6x60 - B			

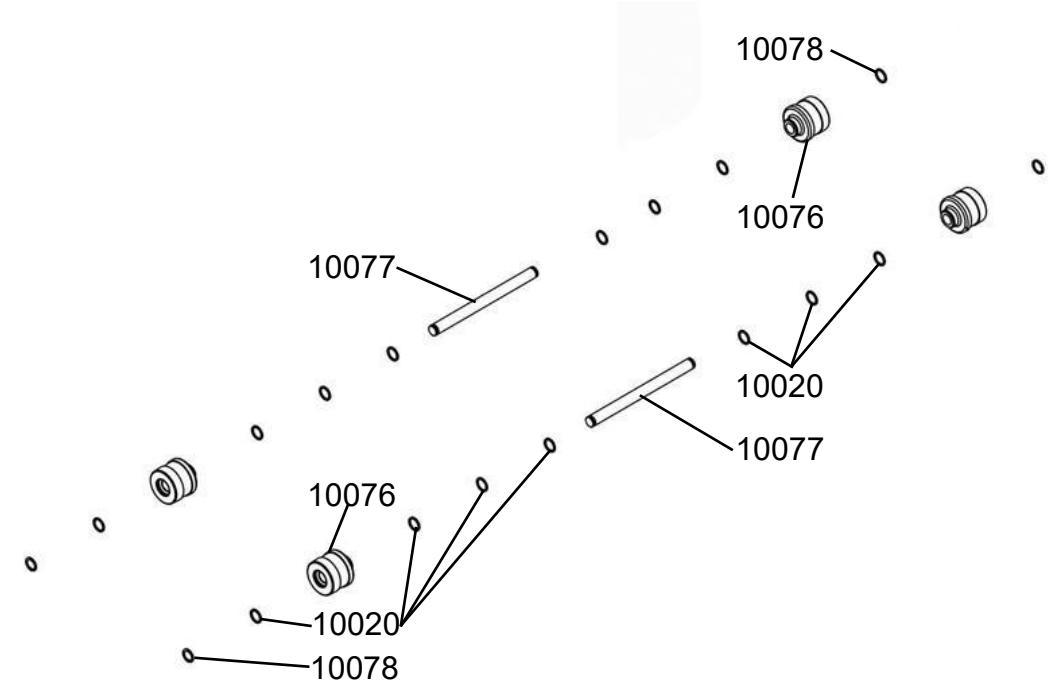
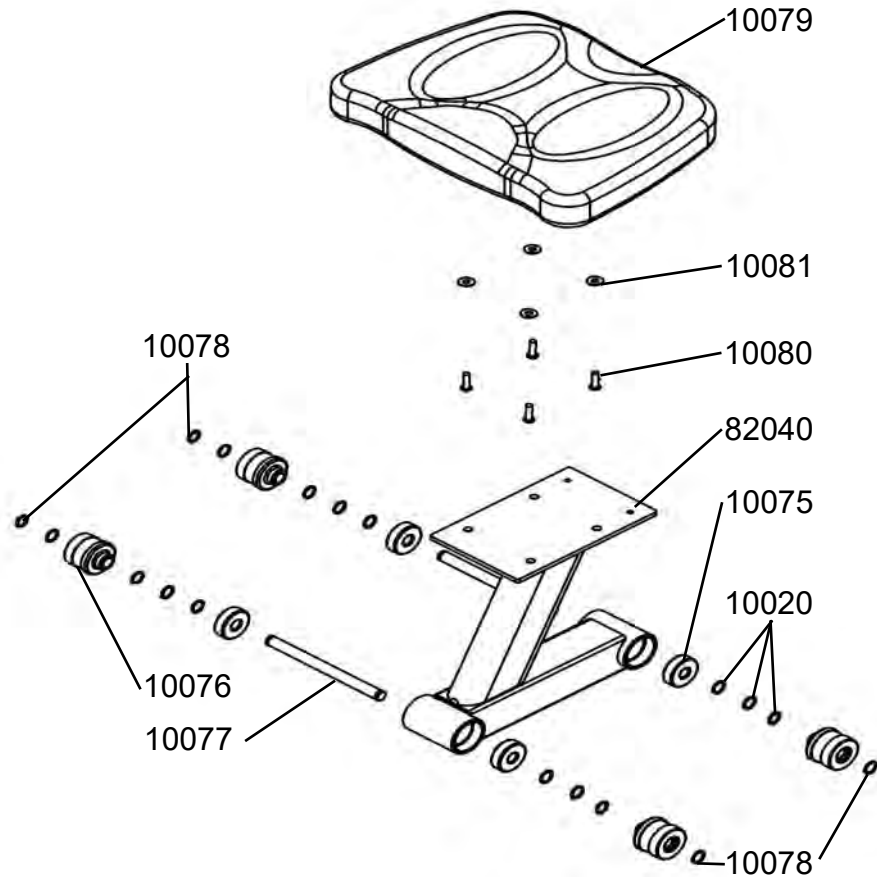
Lower Frame & Footplate Assembly



10041	4	Nyloc Nut M10
10082	8	Washer M10x21x2
12002	1	Dome Head Bolt M10x40
20007	2	Foot Levelers M8x30 Hardened Rubber
20150	1	Dome Head Bolt M10x15
60130	2	Frame Rubber Bumper
61291	2	Curved Washer M10
71021	2	Hex Head Bolt M10x140
82001	1	Lower Frame with Caution Decal - VX2
82054	1	S Bend for VX-2
82063	1	Tension Cable - VX2
82087	1	Hex Head Bolt M10x65
82088	2	Dome Head Bolt M10x170
82089	1	Dome Head Bolt M10x80
83031	1	Footplate - VX2

A146 Complete Seat Assembly VX-2/VX-3

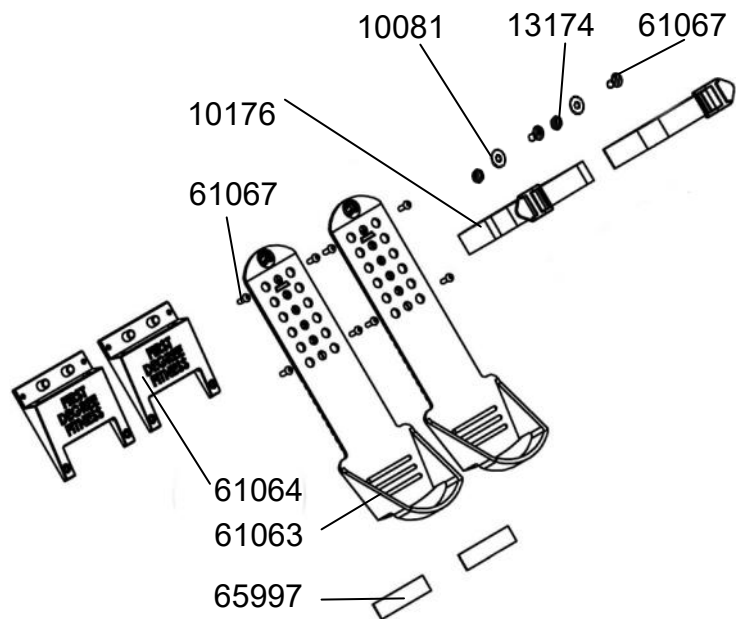
A001 Seat Wheel Kit VX-2/VX-3



10020	14	Seat Spacer 1x12.5x16
10075	4	Bearing NBN 6301ZZ for Seat Frame
10076	4	Seat Wheel Polyurethane
10077	2	Axle Shaft 12x149
10078	4	C Clip ISTW-12
10079	1	Seat LS-E28
10080	4	Dome Head Bolt M6x20
10081	4	Washer M6x16x1
82040	1	Seat Frame VX2/VX3

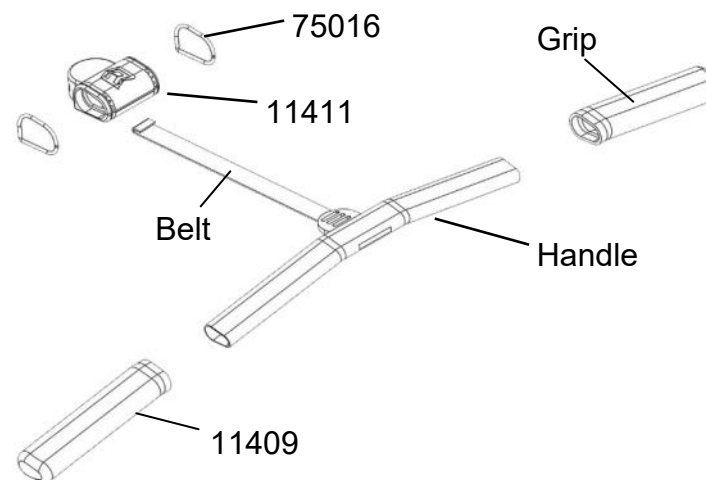
10020	14	Seat Spacer 1x12.5x16
10076	4	Seat Wheel Polyurethane
10077	2	Axle Shaft 12x149
10078	4	C Clip ISTW-12

Sliding Footplate Assembly



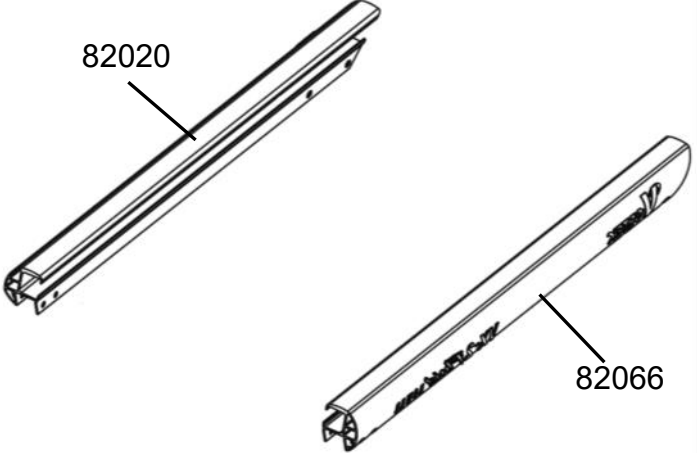
10081	2	Washer M6x16x1
10176	2	Foot Strap & Buckle
13174	2	Nyloc Nut M5
61063	2	Footplate Slider with Velcro #65997
61064	2	Footplate Slider Base 120x111x22.8
61067	10	Dome Head Bolt M5x15
65997	2	Velcro for Sliding Footplate

A270 Deluxe Belt Handle Complete VX-2/E316



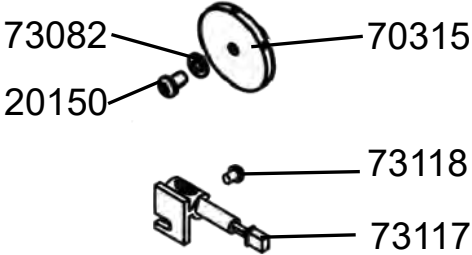
11409	2	Handle Grip - Deluxe
11411	1	Handle Rubber Cover
11418	1	Handle with Belt 2900mm And Grips
75016	2	O-Ring - Deluxe handle

A091 Seat Rail Set Complete



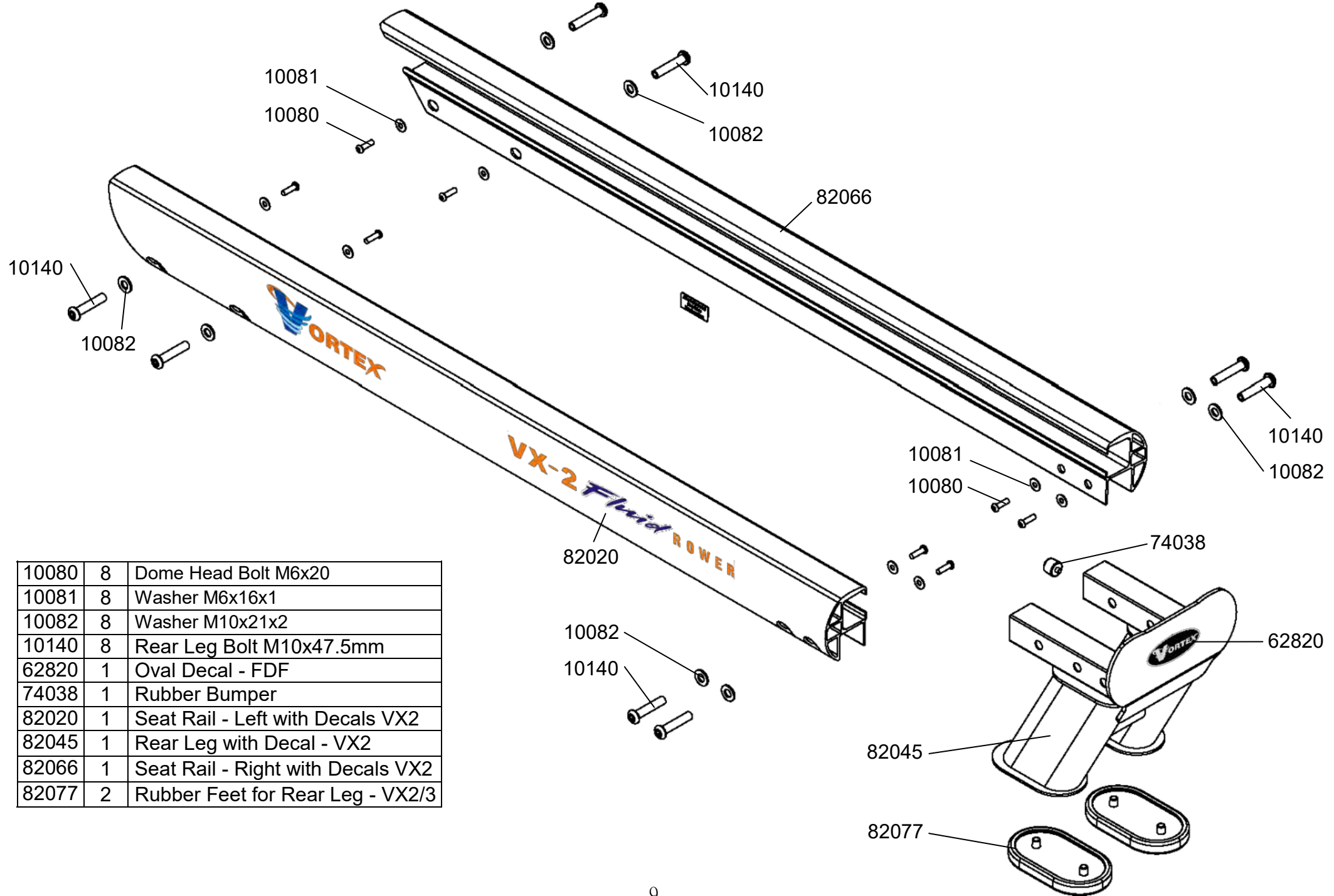
82020	1	Seat Rail - Left with Decals VX2
82066	1	Seat Rail - Right with Decals VX2

A051 Sensor Kit L16



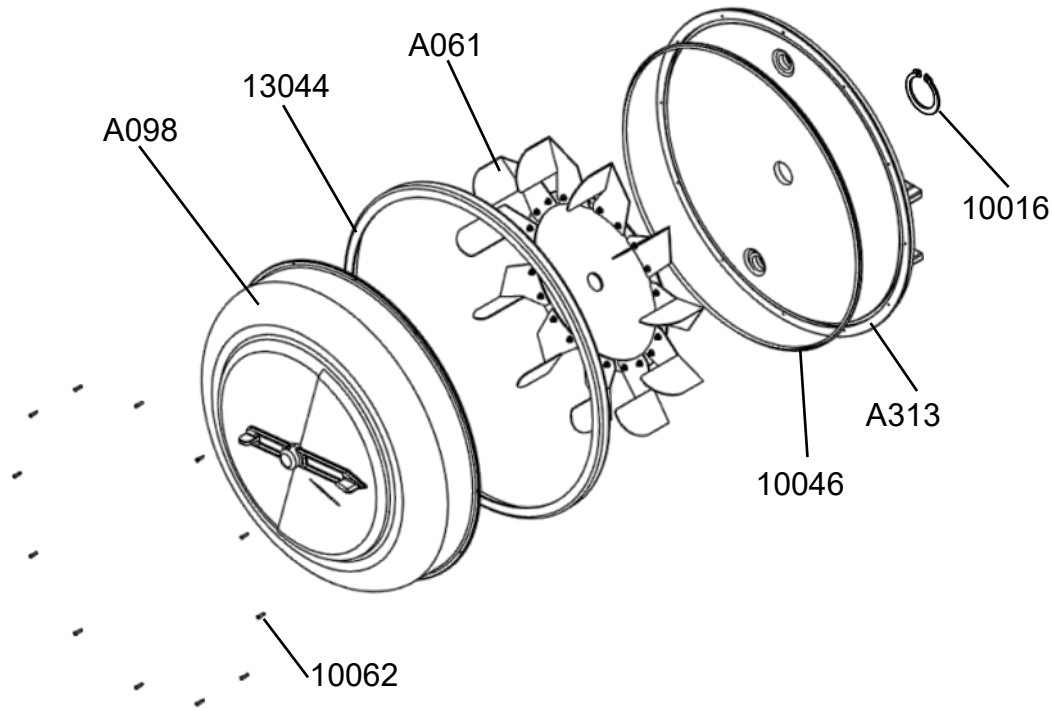
20150	1	Dome Head Bolt M10x15
70315	1	Magnetic Ring & Rare Earth Magnet #70319
73082	1	Washer 30x10.2x3t SUS
73117	1	Sensor Lead 30cm DT
73118	1	Round Head Phillips Screw M4x6

Seat Rail / Rear Leg Assembly VX2



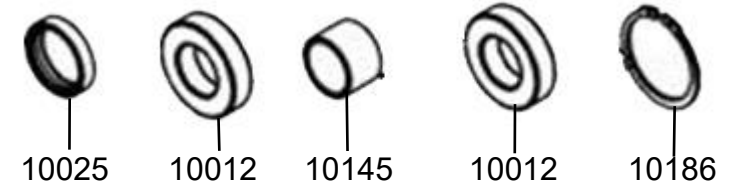
10080	8	Dome Head Bolt M6x20
10081	8	Washer M6x16x1
10082	8	Washer M10x21x2
10140	8	Rear Leg Bolt M10x47.5mm
62820	1	Oval Decal - FDF
74038	1	Rubber Bumper
82020	1	Seat Rail - Left with Decals VX2
82045	1	Rear Leg with Decal - VX2
82066	1	Seat Rail - Right with Decals VX2
82077	2	Rubber Feet for Rear Leg - VX2/3

A011 Complete Tank Assembly E316/VX-2



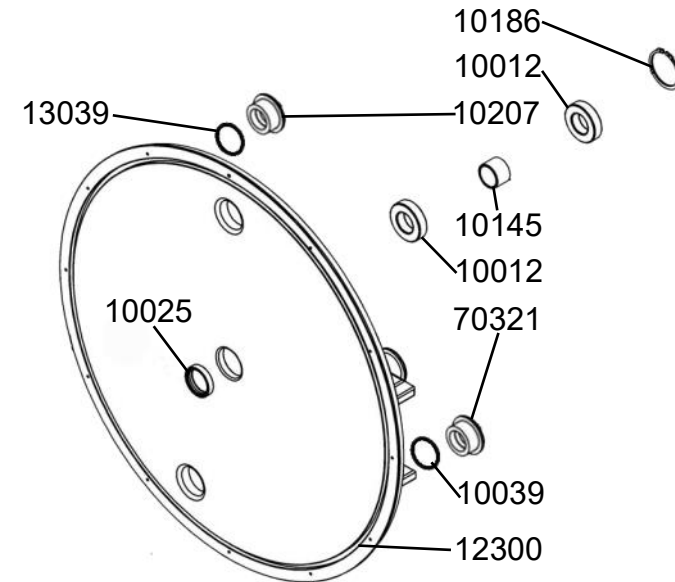
10016	1	C Clip STW-25
10046	1	Tank Large Seal
10062	12	Round Head Phillips Screw M3x12 SUS
13044	1	Tank Outer Cover Ring - Blue
A061	1	Flywheel Assembly E316/VX2
A098	1	Tank Cover Assembly E316/VX2
A313	1	Tank Back Kit

A012 Tank Bearing & Seal Kit



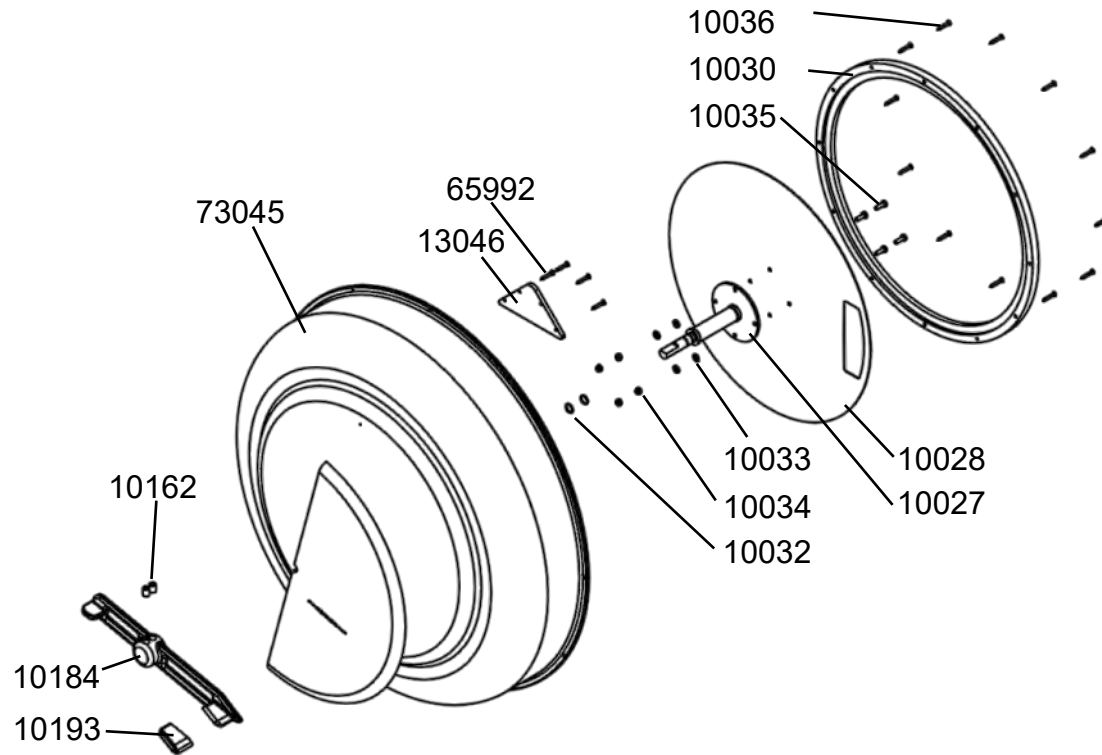
10012	2	Bearing NSK6005ZZ
10025	1	Seal NBR 37x30x8t for Flywheel Shaft
10145	1	Bearing Spacer 30x25.1x20.5mm
10186	1	C Clip RTW-48

A313 Tank Back Kit— Gray



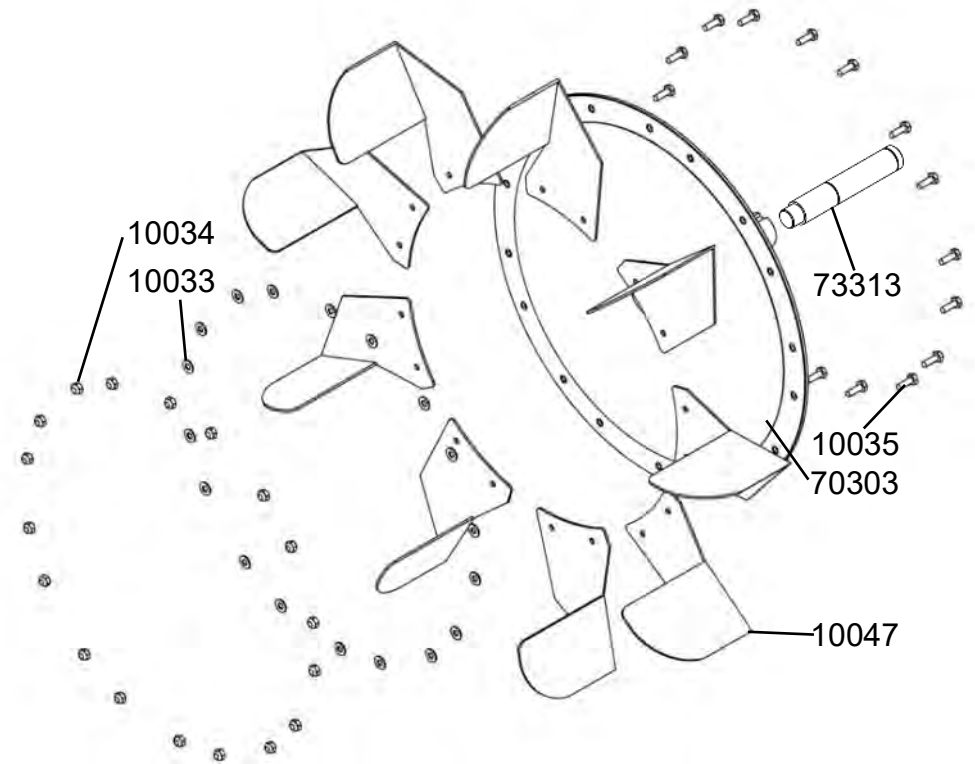
10012	2	Bearing NSK6005ZZ
10025	1	Seal NBR 37x30x8t for Flywheel Shaft
10145	1	Bearing Spacer 30x25.1x20.5mm
10186	1	C Clip RTW-48
10207	1	Tank Plug Yellow with O-Ring #13039
12300	1	Tank Back - Gray
70321	1	Tank Plug Black with Flat O-Ring #10039

A098 Tank Cover Assembly E316/VX-2

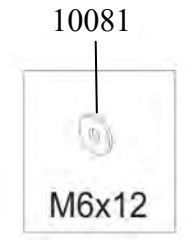
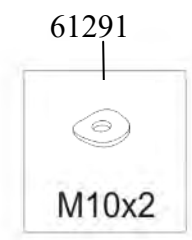
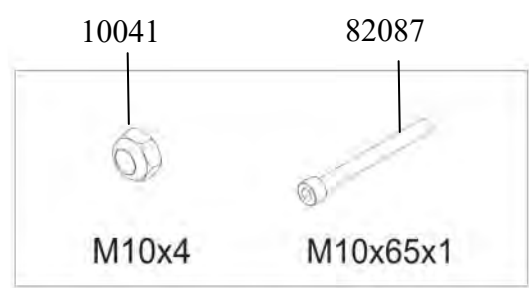
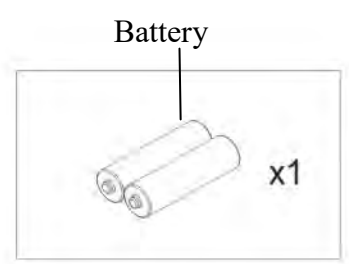
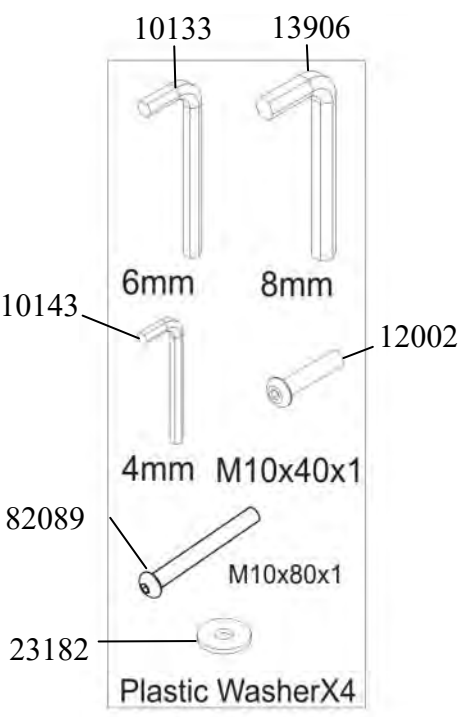


10027	1	Adjuster Handle Shaft
10028	1	Backing Plate 0.8mm SUS
10030	1	Adjuster PP Tank Ring 358x10
10032	2	Nylon Resistance Adjuster O-Ring 12x9x1.5
10033	4	Washer 10x4.2x1 SUS
10034	4	Nut M4 SUS
10035	4	Hex Bolt M4 SUS
10036	12	Flat Tapping Screw M3x20 SUS
10162	2	Grub Screw M8x10
10184	1	Adjuster Handle & PU Cover P/N 10193
10193	1	PU Yellow Adjuster Handle Cover
73045	1	PC Tank Cover & Level Decal 16R & Triangle Plate #13046 & Bolts #65992- Blue

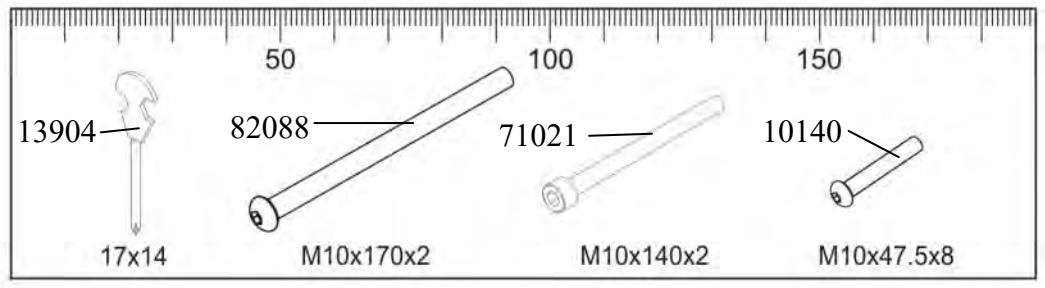
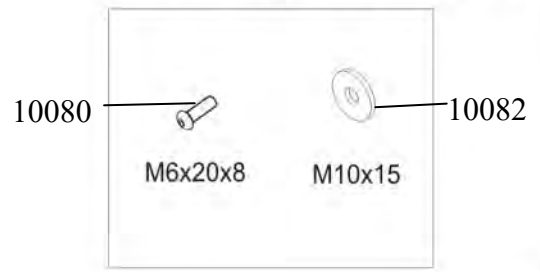
A061 Flywheel Assembly E316 / VX-2



10033	18	Washer 10x4.2x1 SUS
10034	18	Nut M4 SUS
10035	18	Hex Bolt M4 SUS
10047	9	Impeller Blade
70303	1	Flyweel
73313	1	Flywheel Shaft - E216/316/VX-1/VX-2



E-316VX-2 HARDWARE KIT



10041	4	Nyloc Nut M10
10080	12	Dome Head Bolt M6x20
10081	12	Washer M6x16x1
10082	15	Washer M10x21x2
10133	1	Allen Key 6mm
10140	8	Rear Leg Bolt M10x47.5mm
10143	1	Allen Key 4mm
12002	1	Dome Head Bolt M10x40
13904	1	Multi-Tool
13906	1	Allen Key 8mm
23182	4	Plastic Washer M10x21x3
61291	2	Curved Washer M10
71021	2	Hex Head Bolt M10x140
82087	1	Hex Head Bolt M10x65
82088	2	Dome Head Bolt M10x170
82089	1	Dome Head Bolt M10x80