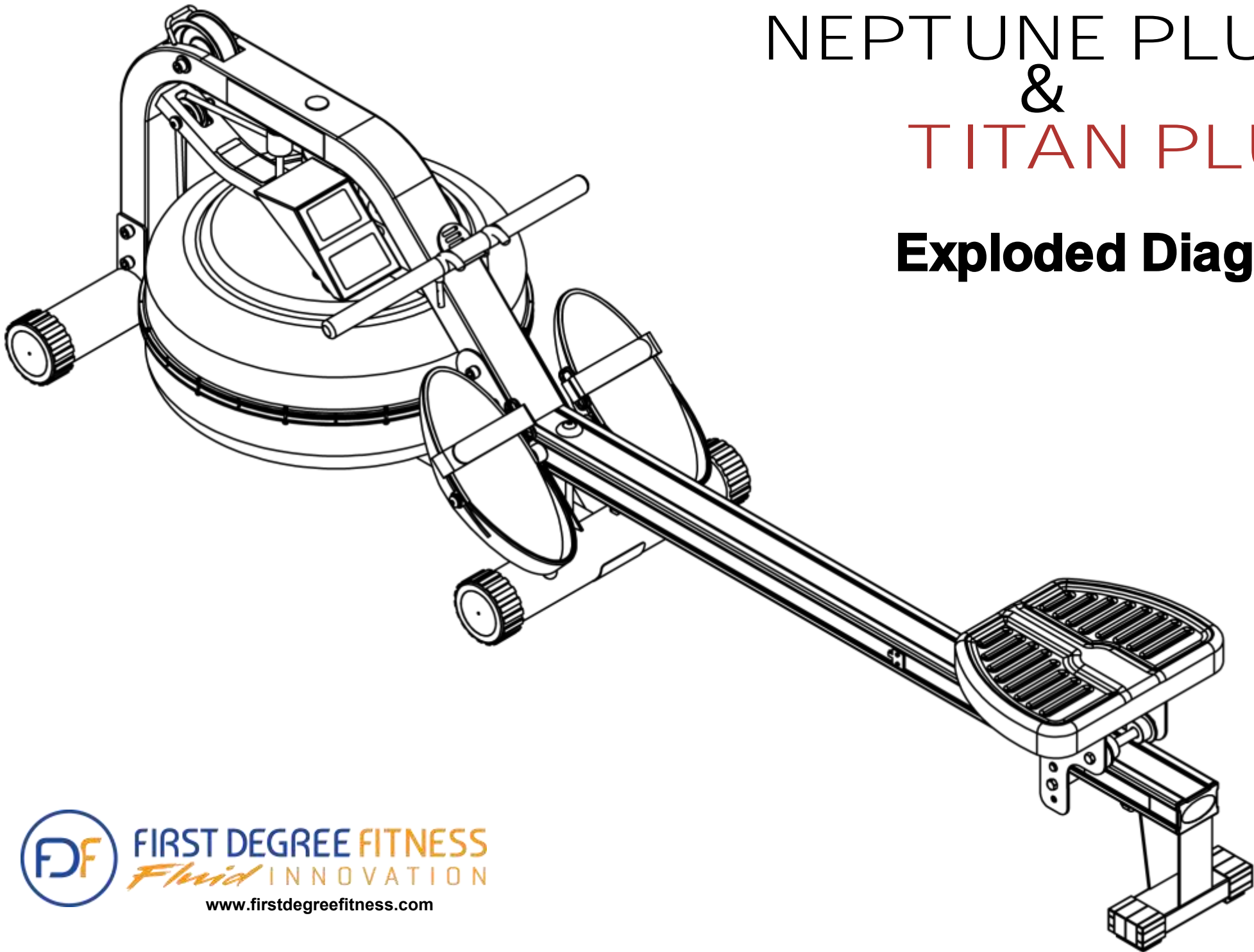
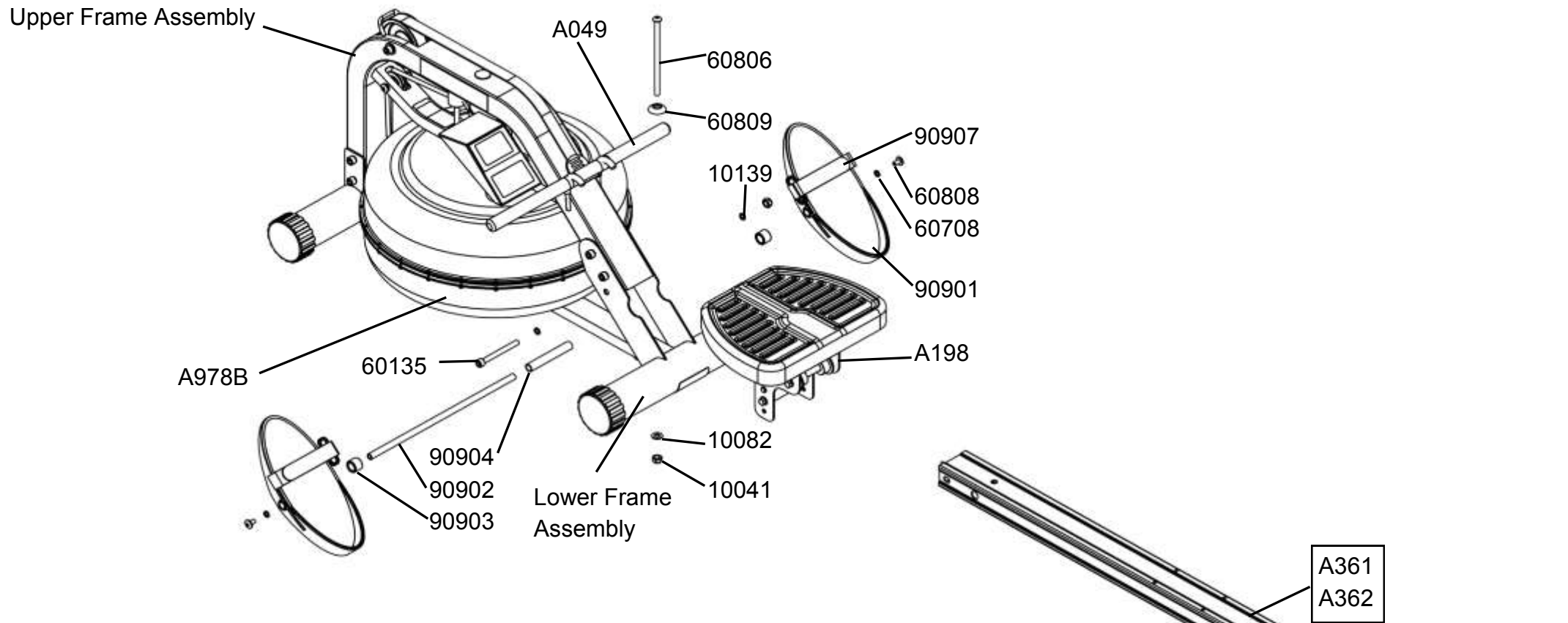


NEPTUNE PLUS & TITAN PLUS

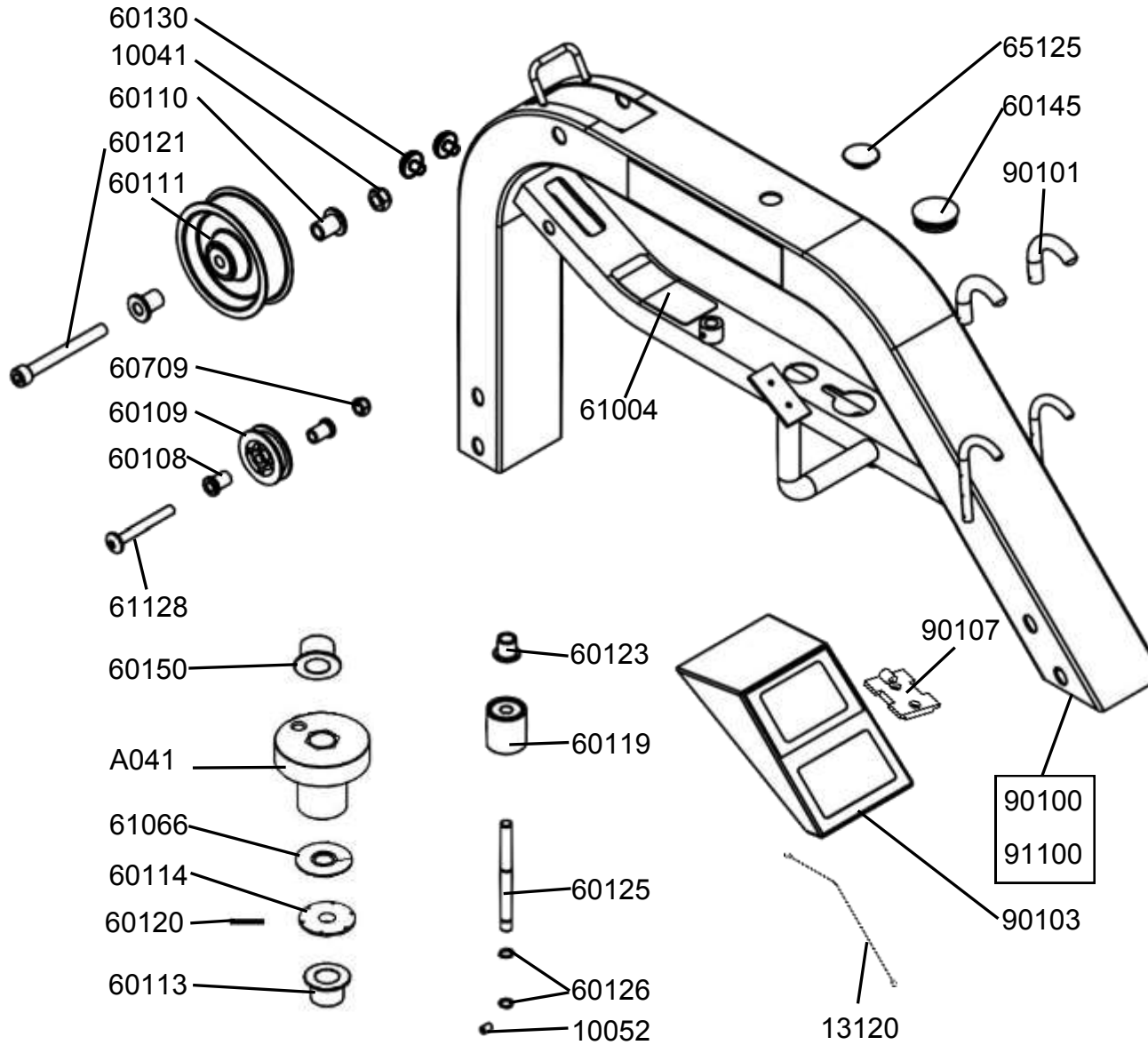
Exploded Diagram





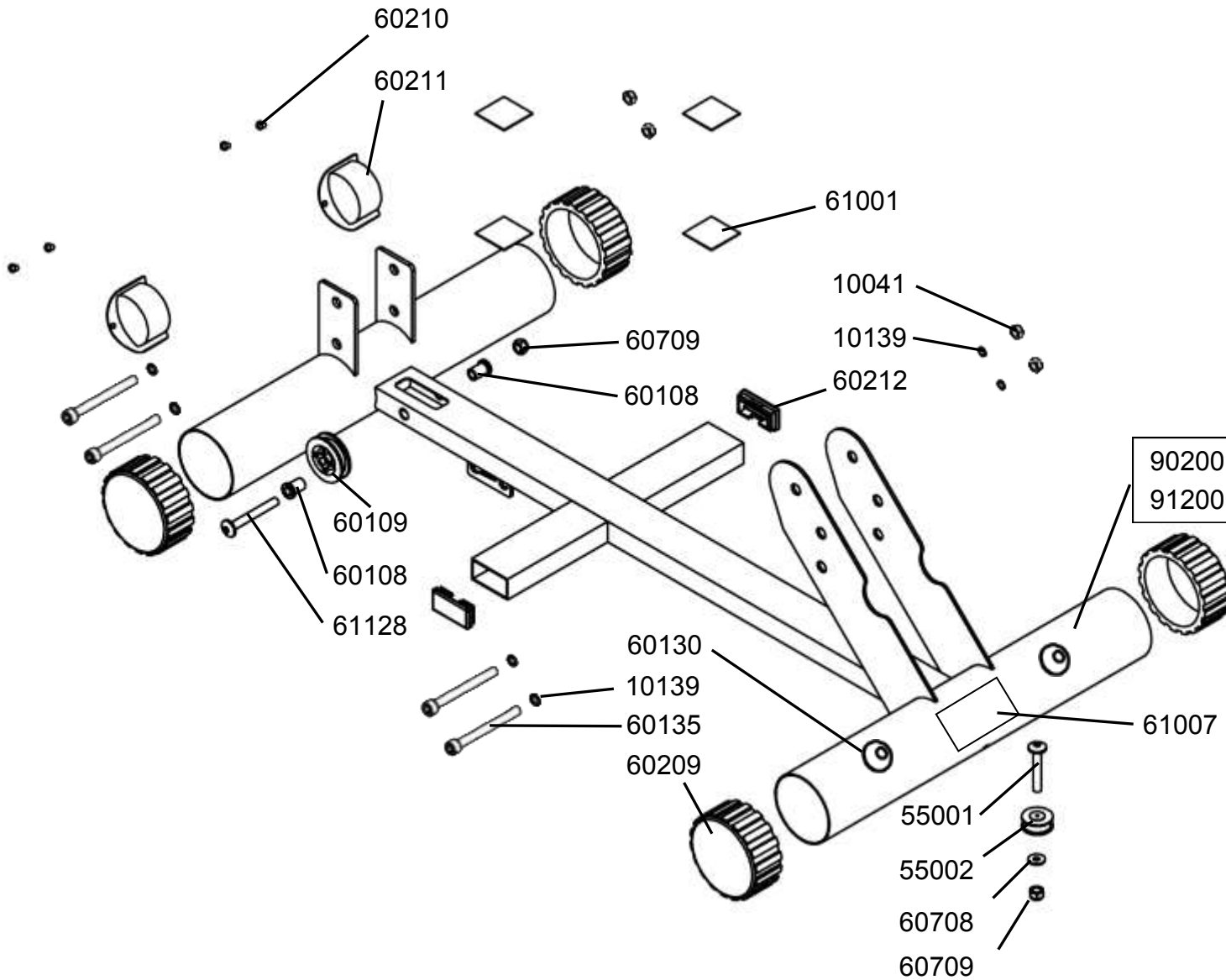
10041	2	Nyloc Nut M10	90902	1	Footplate Axle 12mmx388
10082	1	Washer M10x21x2	90903	2	Footplate Spacer Nylon D25xD17x19L
10139	2	Spring Washer M10	90904	1	Internal Footplate Spacer 17mmx1.5Tx110L
60135	1	Hex Head Bolt M10x95	90907	2	Velcro Foot Strap for NEPAR / TITAN
60708	2	Washer M8x19x1.6	A049	1	Handle Complete
60806	1	Dome Head Bolt M10x180	A198	1	Seat Assembly NEPP
60808	2	Dome Head Bolt M8x15	A361	1	Seat Rail Set Complete - NEPAR
60809	1	Plastic Dome Cap 10mm	A362	1	Seat Rail Set Complete - TITAN
90901	2	Plastic Footplate - NEPAR/TTNAR	A978B	1	4 Level Tank Complete Assembly

Upper Main Frame



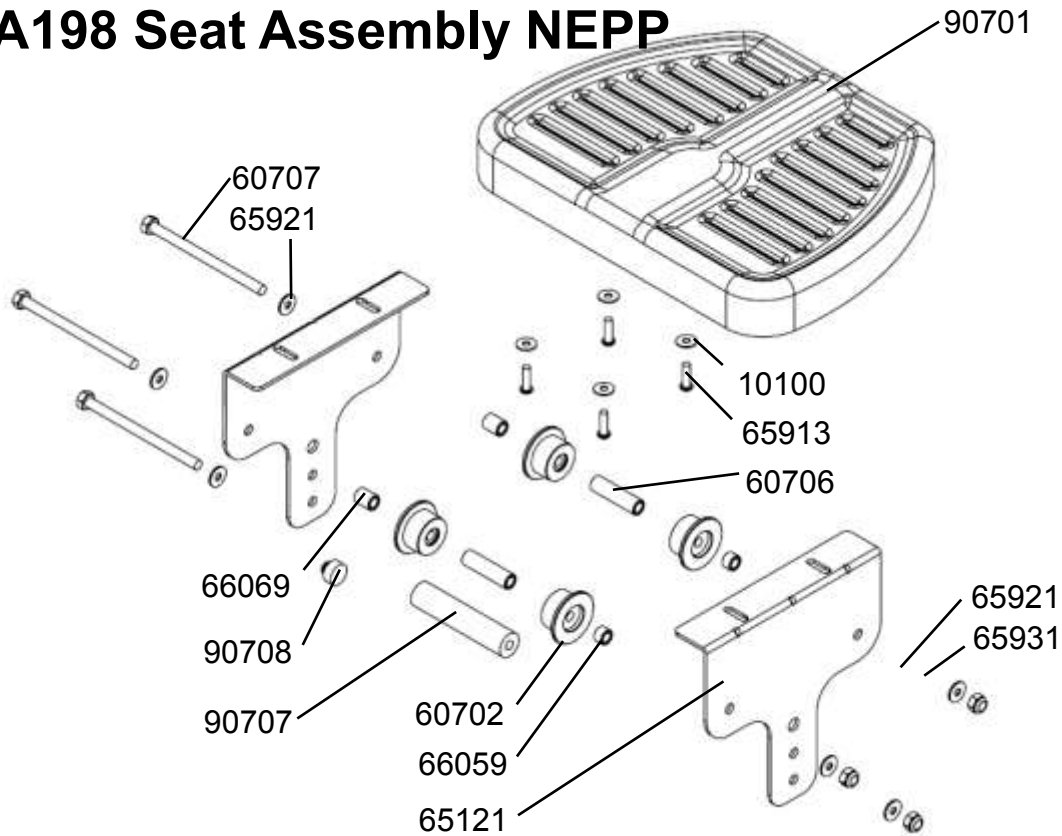
10041	1	Nyloc Nut M10
10052	1	Grub Screw M4x6 - B
13120	1	Sensor Connecting Cable 450mm
60108	2	Bungee Pulley Spacer 8mm
60109	1	Bungee Pulley 50mm
60110	2	Belt Pulley Spacer 10x24x23
60111	1	Belt Pulley 100mm & 2x Bearing #60112
60113	1	Main Shaft Oil Bushing - Lower 38x20x22
60114	1	Magnet Ring & 6 x Magnet #60124
60119	1	Idle wheel & 2x Bearing #60112
60120	1	Roll Pin M6x30
60121	1	Hex Head Bolt M10x90
60123	1	Idle Shaft Upper Frame Mount 10mm
60125	1	Idler Pulley Shaft
60126	2	C Clip 10mm
60130	2	Frame Rubber Bumper
60145	1	Frame Plug 38.1mm
60150	1	Main Shaft Nylon Bushing - Upper
60709	1	Nyloc Nut M8
61066	1	Plastic Washer M5920.1x2T
61128	1	Dome Head Bolt M8x65
65125	1	Rubber End Cap - Main Frame
90100	1	Upper Frame with Decal #61004 & #69101
90101	2	Rubber Hook Cover
90103	1	Computer for Neptune with Plastic Spacer #90107
91100	1	Upper Frame with Decal #61004 & #69102
A041	1	Belt Bungee Pulley Complete Kit

Lower Main Frame



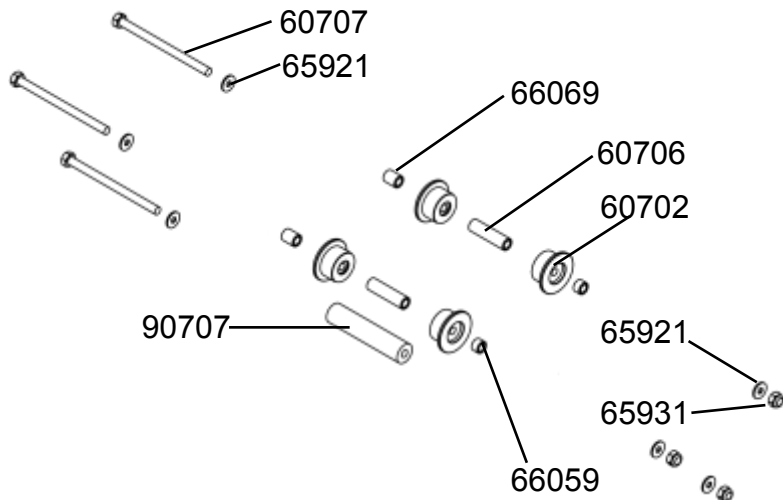
10041	4	Nyloc Nut M10
10139	6	Spring Washer M10
55001	1	Dome Head Bolt M8x50
55002	1	Small Pulley 8mmx31.5mm
60108	2	Bungee Pulley Spacer 8mm
60109	1	Bungee Pulley 50mm
60130	2	Frame Rubber Bumper
60135	4	Hex Head Bolt M10 x 95
60209	4	End Cap 76.2mm Round
60210	4	Transport Wheel Fastener
60211	2	Transport Wheel 76.2
60212	2	End Cap 25x50mm
60708	1	Washer M8x19x1.6
60709	2	Nyloc Nut M8
61001	4	Tank Bonding Strip 3M-VHB
61007	1	Main Frame Lower Warning Decal
61128	1	Dome Head Bolt M8x65
90200	1	Lower Frame - NEPP
91200	1	Lower Frame - TTNP

A198 Seat Assembly NEPP



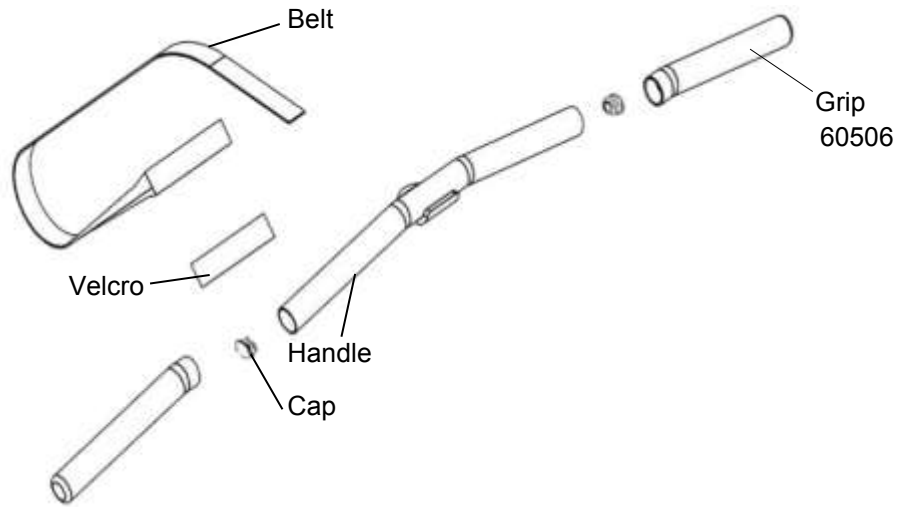
10100	4	Washer M6x16x1 - B
60702	4	Seat Wheel - HS
60706	2	Inner Axle Bushing Long
60707	3	Hex Bolt M8x120mm
65121	2	Seat Frame Bracket
65913	4	Dome Head Bolt M6x20 - B
65921	6	Washer M8.5x19x1.6t - B
65931	3	Nyloc Nut M8 - B
66059	2	Seat Wheel Short Spacer 12.7x8.1x8.5 - B
66069	2	Seat Wheel Short Spacer 12.7x8.1x16 - B
90701	1	Seat LS-E22
90707	1	Lower Seat Wheel Axle Spacer
90708	1	Round Magnet 7mm x 15

A139 Seat Wheel Assembly



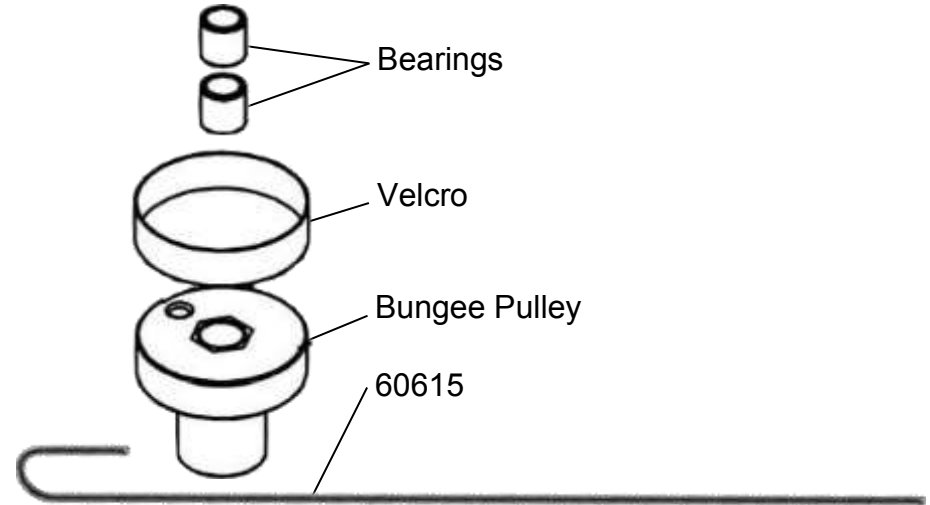
60702	4	Seat Wheel - HS
60706	2	Inner Axle Bushing Long
60707	3	Hex Bolt M8x120mm
65921	6	Washer M8.5x19x1.6t - B
65931	3	Nyloc Nut M8 - B
66059	2	Seat Wheel Short Spacer 12.7x8.1x8.5 - B
66069	2	Seat Wheel Short Spacer 12.7x8.1x16 - B
90707	1	Lower Seat Wheel Axle Spacer

A049 Handle Complete



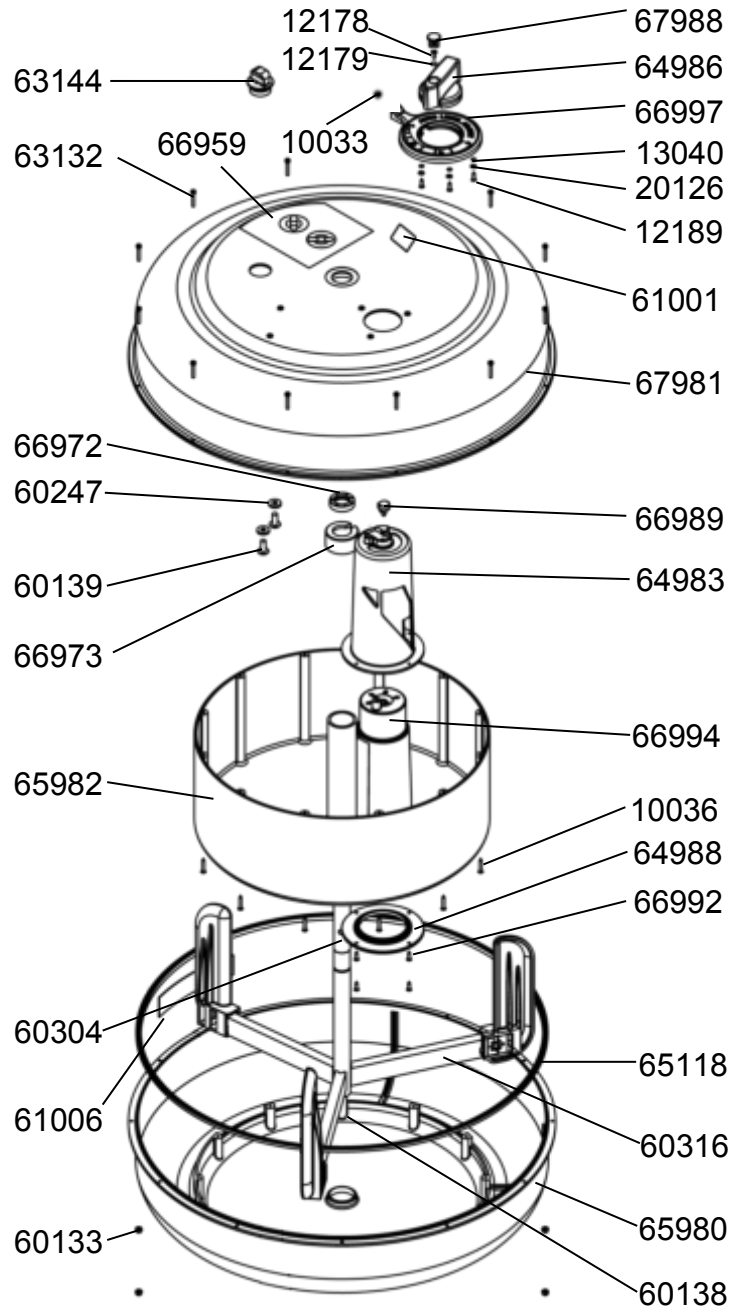
60506	2	Handle Grip
-------	---	-------------

A041 Belt Bungee Pulley Complete



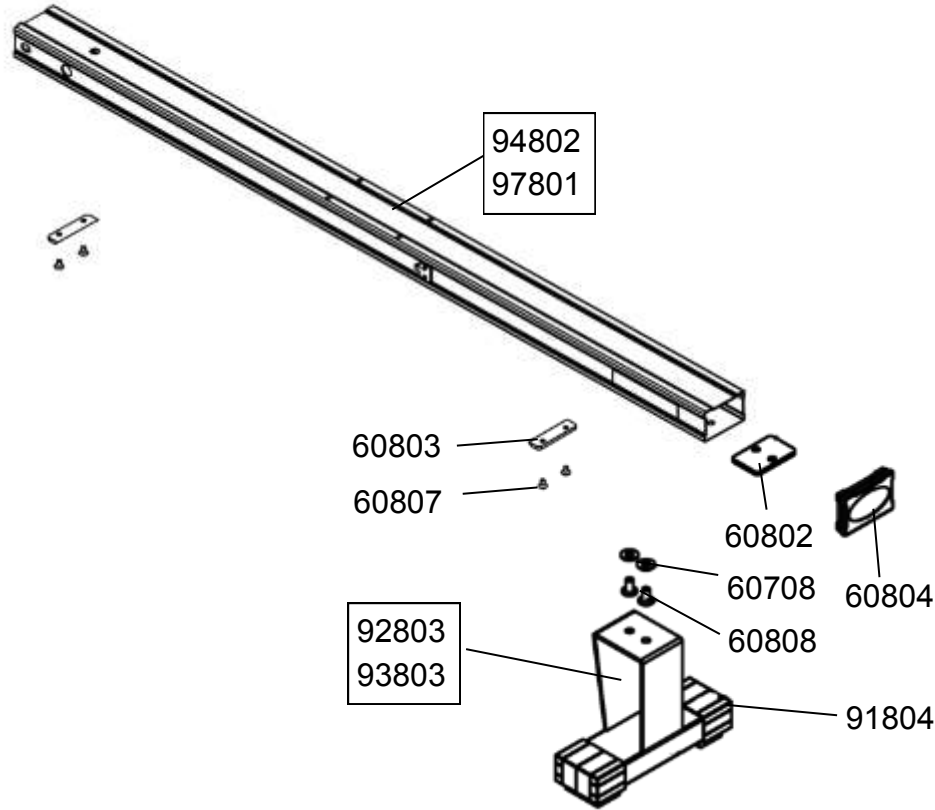
60900	1	Belt Bungee Pulley Complete & Velcro & One Way Bearings #90136
60615	1	Bungee Cord 8mm x 1950 & Inner Clip #65922

A978B - 4 Level Tank Complete Assembly



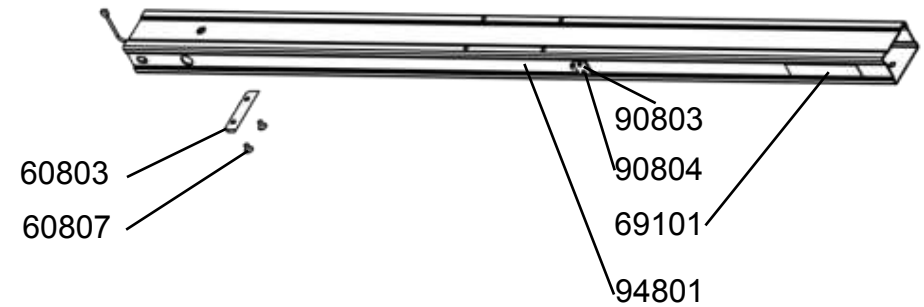
FDN PN	Qty	Description
10033	1	Washer M4.2x10x1t SUS
10036	12	Flat Tapping Screw M3x20 - SUS
12178	1	Dome Head Bolt M3x10 SUS
12179	1	Washer M3x8x1t SUS
12189	3	Tank Internal Screw M4x10 SUS
13040	3	O Ring
20126	3	Plastic Washer M4x12
60133	12	Nyloc Nut M3 - SUS
60138	1	Impeller End Cap
60139	2	Tank Internal Screw M6x15 - SUS
60247	2	O Ring 15.6X6.7X3.5mm
60304	1	Flywheel Upper Shaft
60316	1	-Flywheel Lower Shaft with Impeller #64971- L4/L5-B
61001	1	Tank Bonding Strip 3M-VHB 40x40x1mm
63132	12	Allen Key Bolt M3x20 - SUS
63144	1	Tank Plug for HS Tank
64983	1	L4/L5 Tank Adjuster Outer Valve & Rubber Spacer#66974 & M6 Ball Plunger#66976
64986	1	Adjuster Knob for Plus / V / XL - Black
64988	1	L4/L5 Valve Base - Black
65118	1	Tank Large Ring Seal -Black 499x5.8
65980	1	Lower Tank Shell with Decal #61006
65982	1	Inner Reserve Tank Shell
66973	1	Rubber Seal
66989	1	Shaft for Valve - L4 / L5
66992	4	Flat Tapping Screw M3x16 - SUS
66994	1	L4 Tank Adjuster Inner Valve - Black
66997	1	Knob Base with Decal #66996
67981	1	Upper Tank Shell with Decal #66959 &
67988	1	Knob Cap

Rail Assembly & Rear Leg Assembly



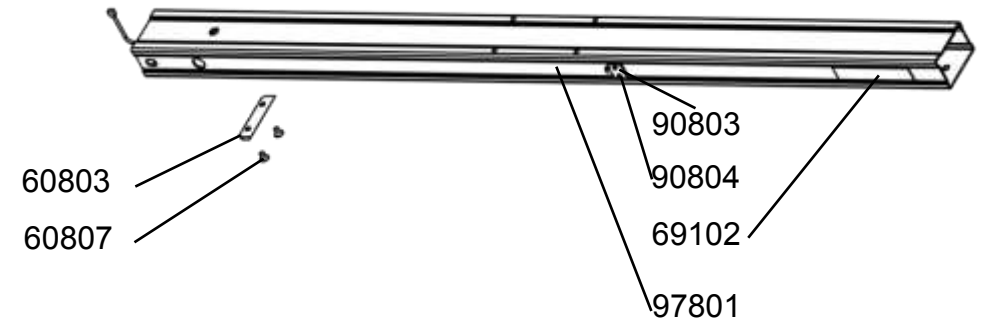
60708	2	Washer M8x19x1.6
60802	1	Rear Leg Internal Mounting Plate
60803	2	Rubber Bump Stop - Seat Rail
60804	1	Seat Rail End Cap 75x50
60807	4	Counter Sunk Bolt M6x10
60808	2	Dome Head Bolt M8x15
90803	1	Sensor & Lead
90804	2	Sensor Mounting Screw M3x8
91804	2	Rear Leg End Caps
92803	1	Rear Leg for NEPP
93803	1	Rear Leg for TTNP
94802	1	Seat Rail with Decal #69301- NEPP
97801	1	Seat Rail with Decal #69102 - TTNP

A363 Seat Rail Set Complete – NEPP



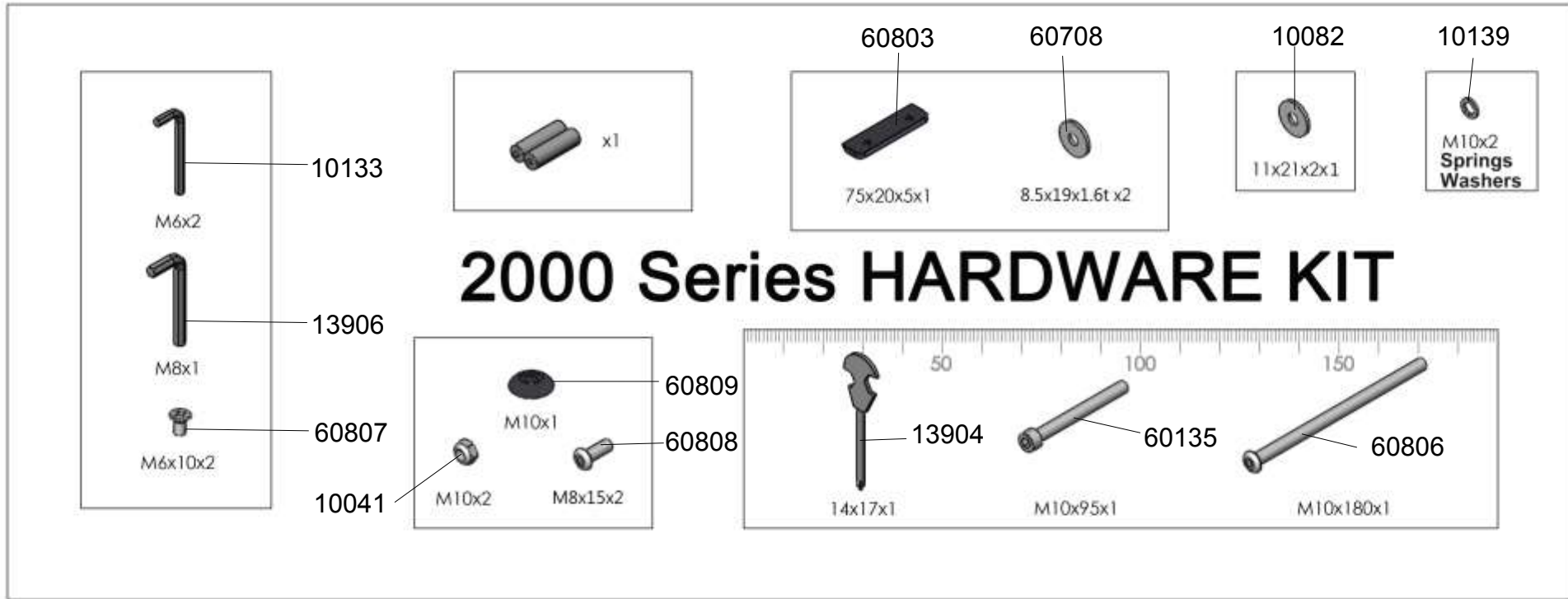
60803	1	Rubber Bump Stop - Seat Rail
60807	2	Counter Sunk Bolt M6x10
90803	1	Sensor & Lead
90804	2	Sensor Mounting Screw M3x8
94802	1	Seat Rail with Decal #69301 - NEPP

A364 Seat Rail Set Complete – TTNP



60803	1	Rubber Bump Stop - Seat Rail
60807	2	Counter Sunk Bolt M6x10
90803	1	Sensor & Lead
90804	2	Sensor Mounting Screw M3x8
97801	1	Seat Rail with Decal #69102 - TTNP

HNEP Hardware Kit—NEPAR



10041	2	Nyloc Nut M10
10082	1	Washer M10x21x2
10133	2	Allen Key 6mm
10139	2	Spring Washer M10
13904	1	Multi-Tool
13906	1	Allen Key 8mm
60135	1	Hex Head Bolt M10x95
60708	2	Washer M8.5x19x1.6t
60803	1	Rubber Bump Stop - Seat Rail
60806	1	Dome Head Bolt M10x180
60807	2	Counter Sunk Bolt M6x10
60808	2	Dome Head Bolt M8x15
60809	1	Plastic Dome Cap 10mm
N/A	2	AA Battery