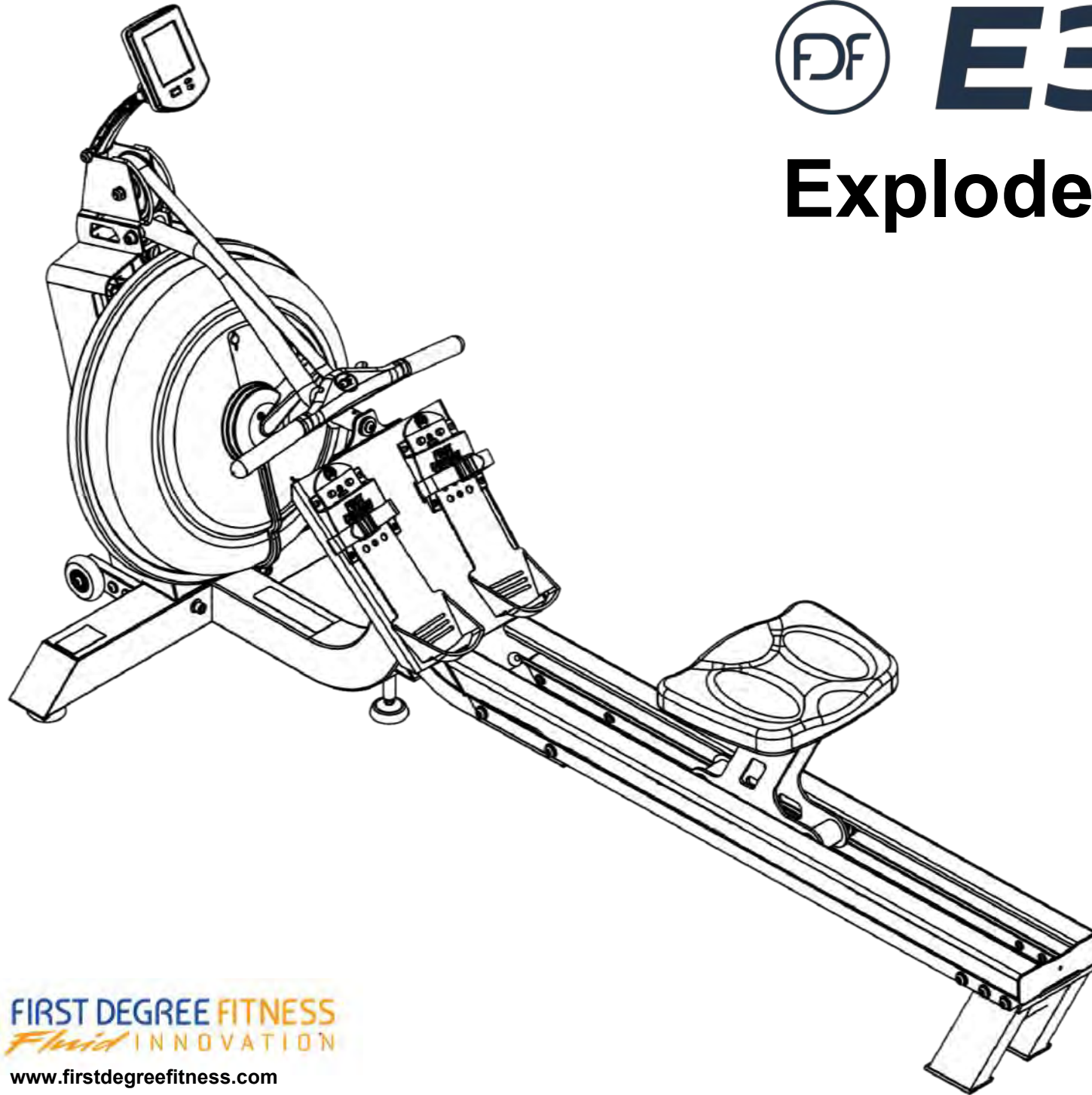
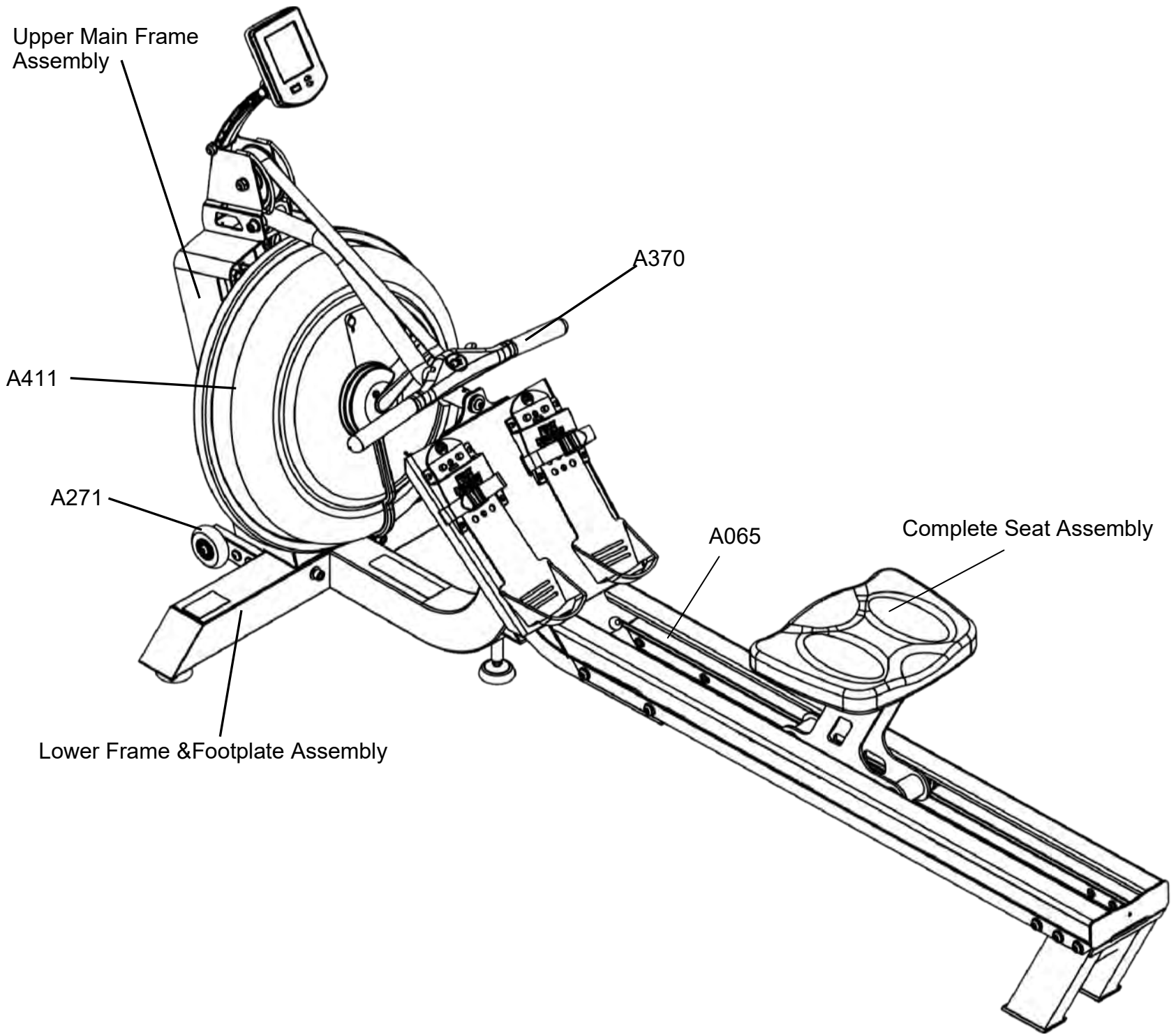




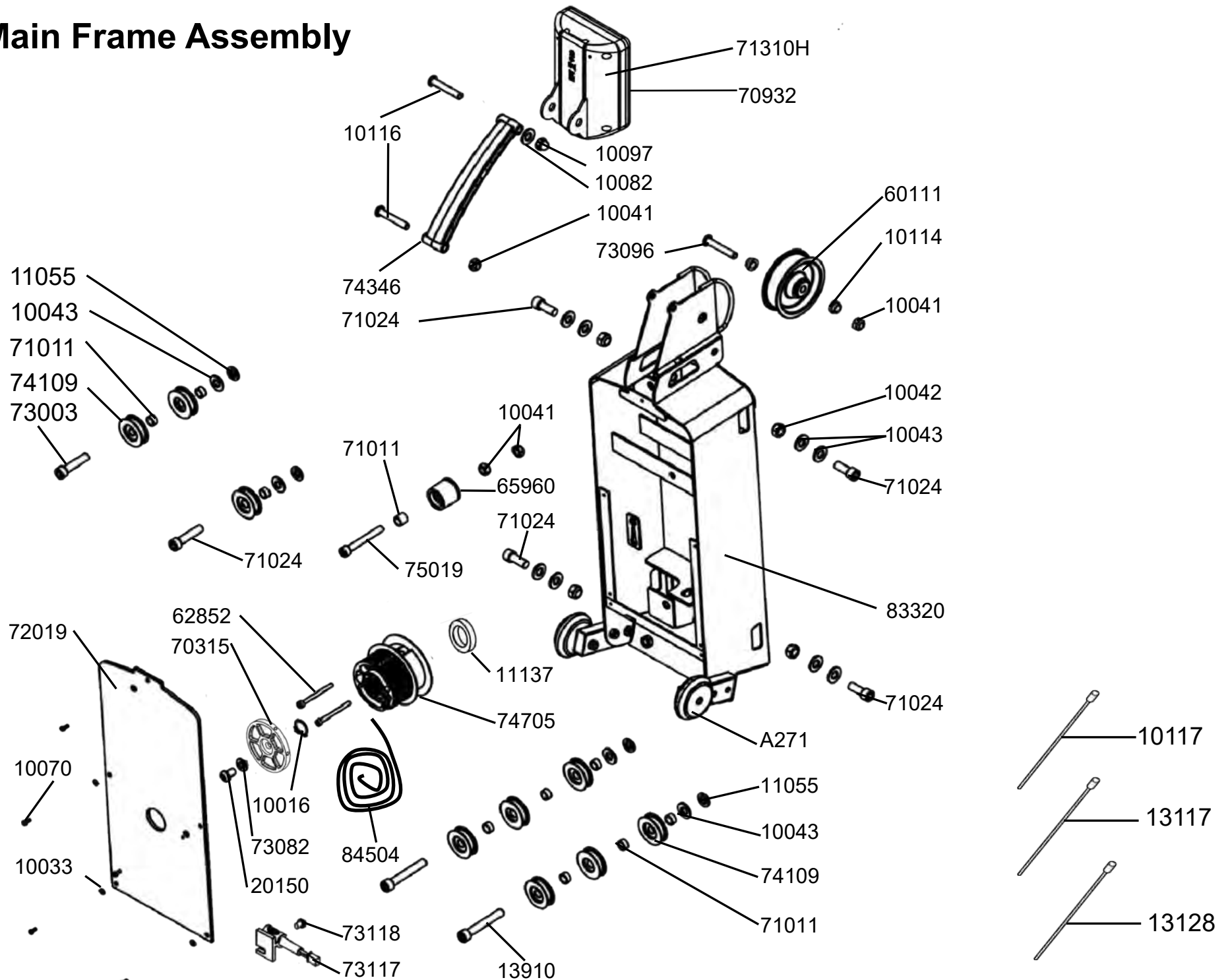
E350

Exploded Diagram



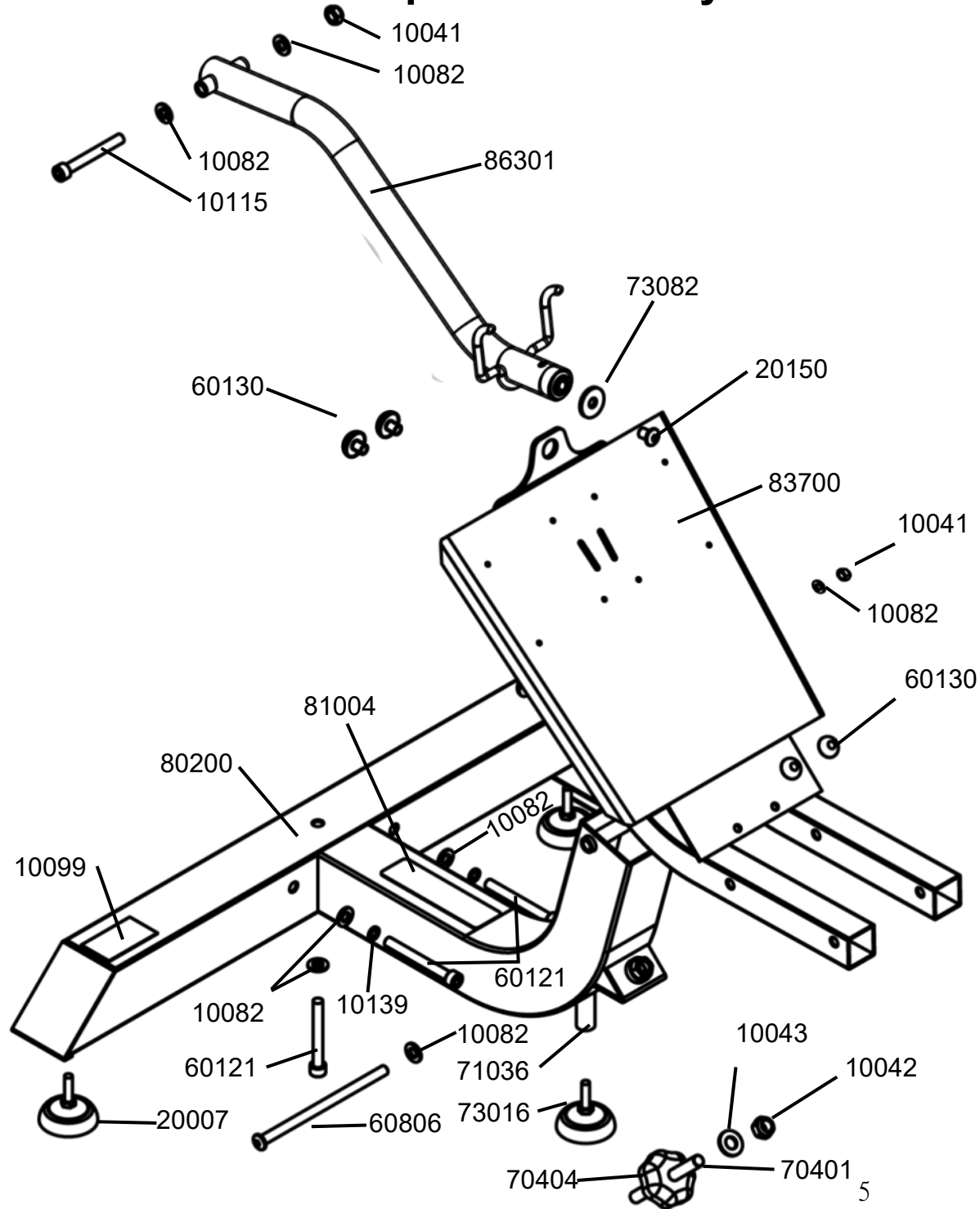


Upper Main Frame Assembly



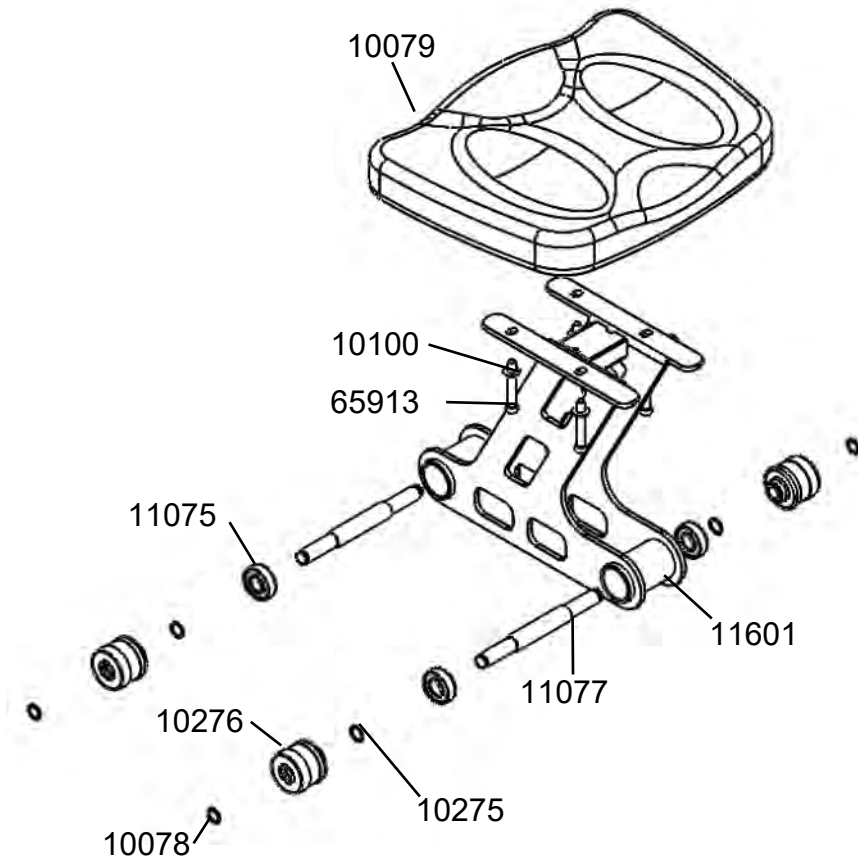
10016	1	C Clip STW-25	65960	1	Idle Wheel & Bearing 6000ZZ x 2(60112)
10033	5	Washer 10x4.2x1 SUS	70315	1	Magnetic Ring & Rare Earth Magnet #70319
10041	4	Nyloc Nut M10	70932	1	LCD For IPM
10042	4	Nyloc Nut M12	71011	10	Bungee Pulley Spacer
10043	12	Washer M13x24x2t	71024	5	Hex Head Bolt M12x35
10070	5	Round Head Phillips Screw M4x10	71310H	1	Bluetooth Auto-Adjust Monitor
10082	1	Washer M10x21x2	72019	1	PVC Cover & Decal E316/VX2/S6
10097	1	Nut Dome Head M10	73003	1	Hex Head Bolt M12x50
10114	2	Plastic Bushing 20x16x13x10	73082	1	Washer 30x10.2x3t SUS
10116	2	Dome Head Bolt M10x60	73096	1	Dome Head Bolt M10x65
10117	1	Sensor Wiring 1200mm	73117	1	Sensor Lead 30cm DT
11055	4	Plastic Washer M13x23x3	73118	1	Round Head Phillips Screw M4x6
11137	1	Belt Pulley Spacer 38.1x25.7x7.5t	74109	9	Bungee Pulley with Bearing - L16
13117	1	Heart Rate Wiring 1050mm	74346	1	Computer Stalk
13128	1	LEVEL Wiring 1200mm	74705	1	Belt/Bungee Pulley, One Way Bearings & Needle Bearings
13910	2	Hex Head Bolt M12x65	75019	1	Hex Head Bolt M10x75mm
20150	1	Dome Head Bolt M10x15	83320	1	Upper Main Frame Complete
60111	1	Belt Pulley 100mm & 2x Bearing #60112	84504	1	Bungee 6mmx312CM
62852	2	Hex Head Bolt M6x60 - B			

Lower Frame & Footplate Assembly



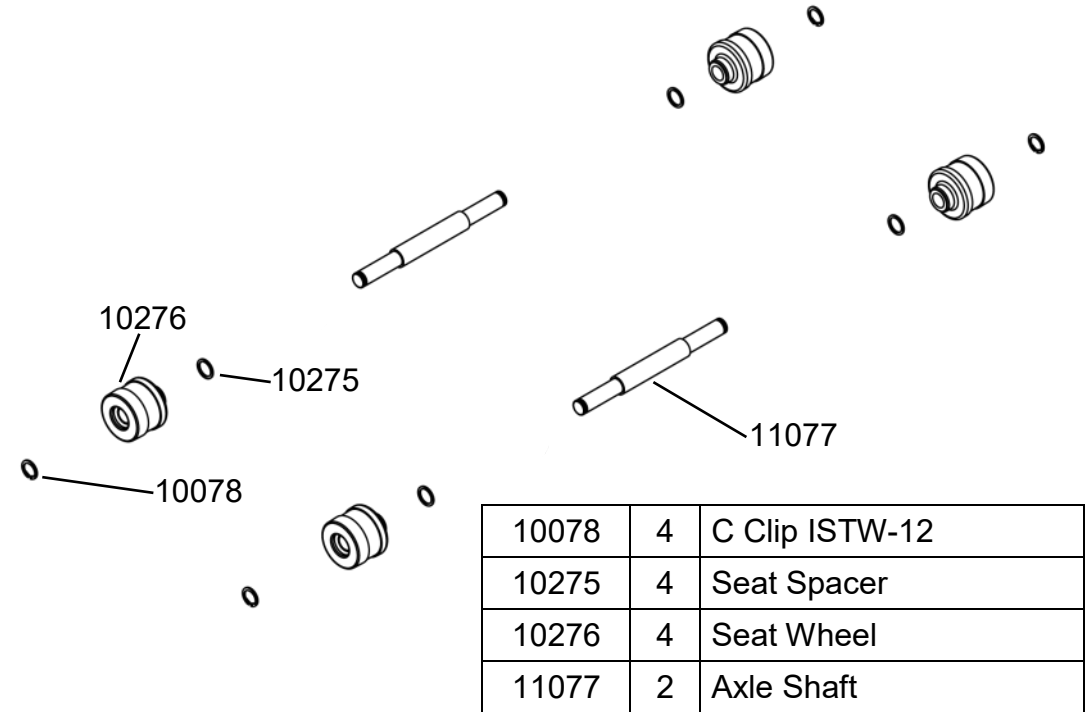
10041	2	Nyloc Nut M10
10042	1	Nyloc Nut M12
10043	1	Washer M13x24x2t
10082	7	Washer M10x21x2
10099	1	Decal - Caution 216/316
10115	1	Hex Head Bolt M10x80
10139	3	Spring Washer M10
20007	2	Foot Levelers M8x30 Hardened Rubber
20150	1	Dome Head Bolt M10x15
60121	3	Hex Head Bolt M10x90
60130	4	Frame Rubber Bumper
60806	1	Dome Head Bolt M10x180
70401	1	Frame Tensioning Bolt E316
70404	1	Frame Tensioning Bolt Adjuster Knob
71036	1	Nut M8
73016	1	Foot Leveler M8x30 PVC
73082	1	Washer 30x10.2x3t SUS
80200	1	Lower Frame with Decal #81004 - E316
86301	1	S Bend - E316A
83700	1	Foot Plate E316

A345 Complete Seat Assembly



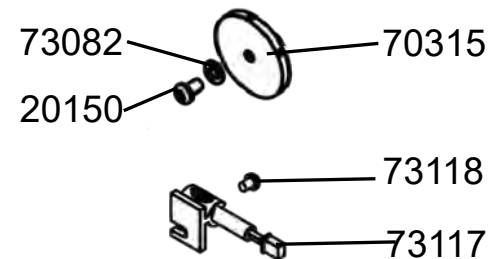
10078	4	C Clip ISTW-12
10079	1	Seat LS-E28
10100	4	Washer M6
10275	4	Seat Spacer
10276	4	Seat Wheel
11075	4	Bearing Seat Frame
11077	2	Axle Shaft
11601	1	Seat Frame
65913	4	Bolt M6x20mm

A301 Seat Wheel Kit



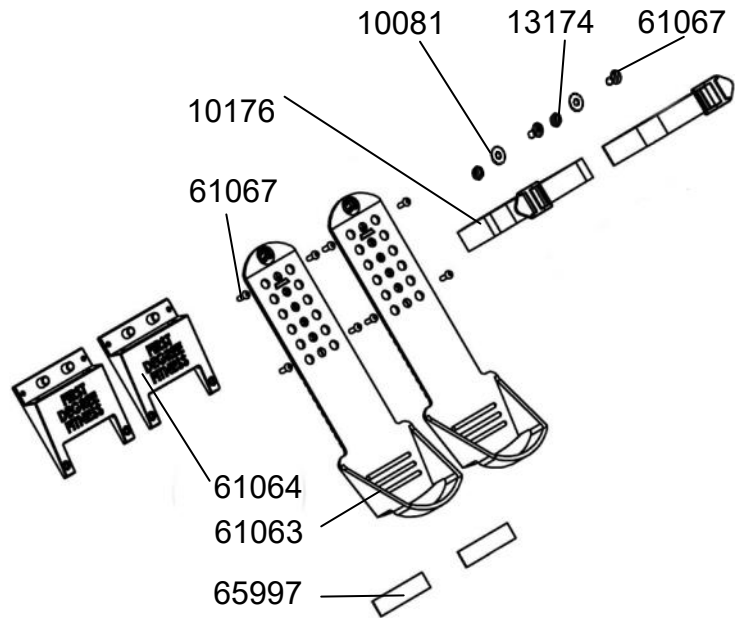
10078	4	C Clip ISTW-12
10275	4	Seat Spacer
10276	4	Seat Wheel
11077	2	Axle Shaft

A051 Sensor Kit L16



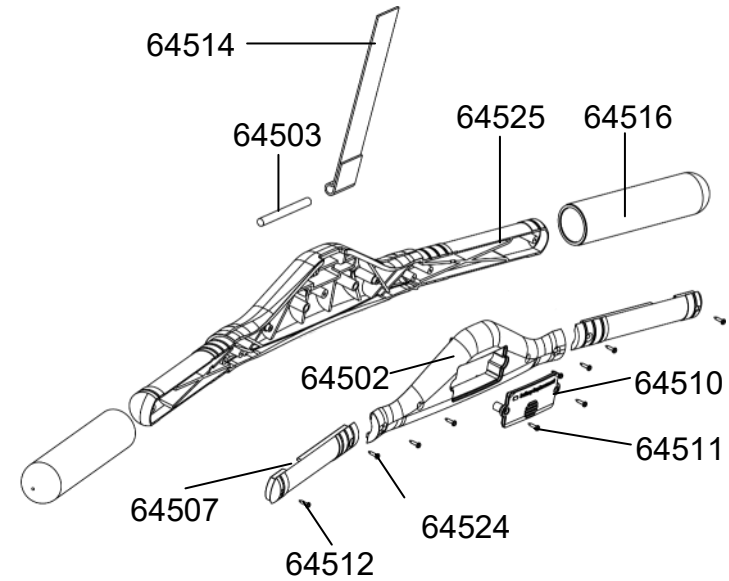
20150	1	Dome Head Bolt M10x15
70315	1	Magnetic Ring & Rare Earth Magnet #70319
73082	1	Washer 30x10.2x3t SUS
73117	1	Sensor Lead 30cm DT
73118	1	Round Head Phillips Screw M4x6

Sliding Footplate Assembly



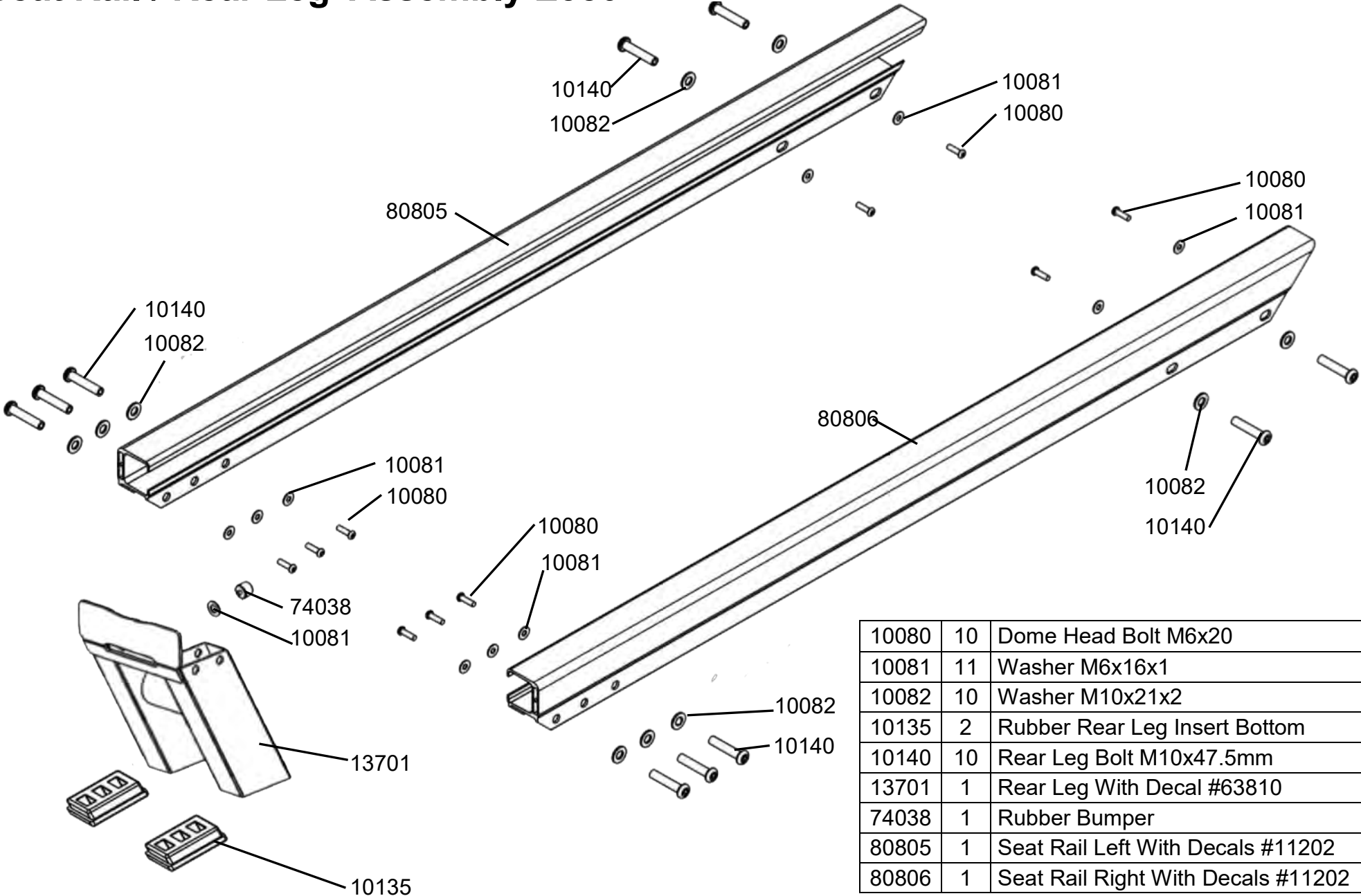
10081	2	Washer M6x16x1
10176	2	Foot Strap & Buckle
13174	2	Nyloc Nut M5
61063	2	Footplate Slider with Velcro #65997
61064	2	Footplate Slider Base 120x111x22.8
61067	10	Dome Head Bolt M5x15
65997	2	Velcro For Sliding Footplate

A370 Plastic Handle Complete



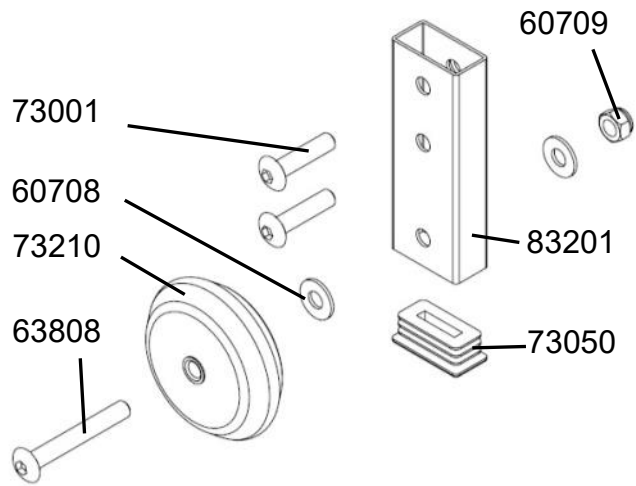
64502	1	Handle Plastic Cap
64503	1	Belt Bush
64507	2	Handle Plastic Cap - L/R
64510	1	Battery Cap
64511	2	Round Head Phillips Screw M3x12 SUS - B
64512	4	Counter Sunk Screw for Wood M3x20
64514	1	Plastic Handle Belt 2900mm - HS
64516	2	Handle Grip
64524	6	Counter Sunk Screw SUS M3x25-B
64525	1	Handle with Decal #64523

Seat Rail / Rear Leg Assembly E350



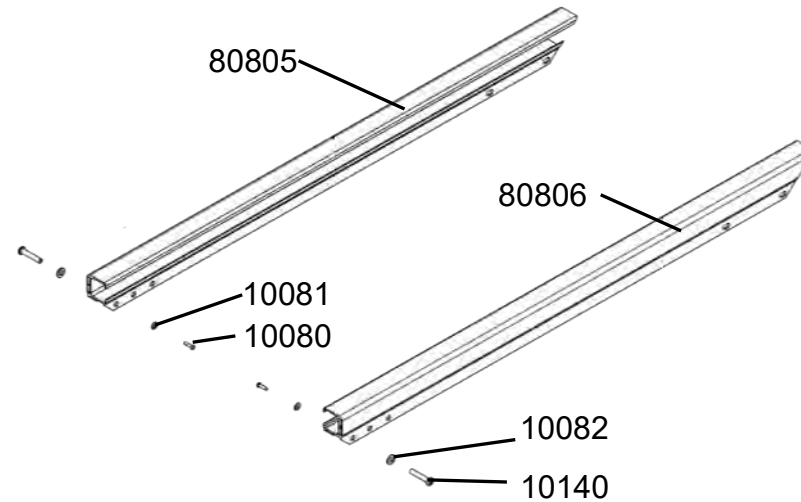
10080	10	Dome Head Bolt M6x20
10081	11	Washer M6x16x1
10082	10	Washer M10x21x2
10135	2	Rubber Rear Leg Insert Bottom
10140	10	Rear Leg Bolt M10x47.5mm
13701	1	Rear Leg With Decal #63810
74038	1	Rubber Bumper
80805	1	Seat Rail Left With Decals #11202
80806	1	Seat Rail Right With Decals #11202

A271 Transport Wheel Assembly



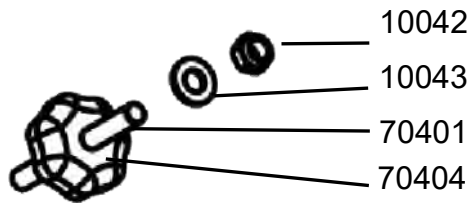
60708	2	Washer M8x19x1.6
60709	1	Nyloc Nut M8
63808	1	Dome Head Bolt M8x60
73001	2	Dome Head Bolt M8x35
73050	1	End Cap 20x40
73210	1	Transport Wheel - L16
83201	1	Transport Wheel Frame For E316

A565 Complete Seat Rail Assembly - E350



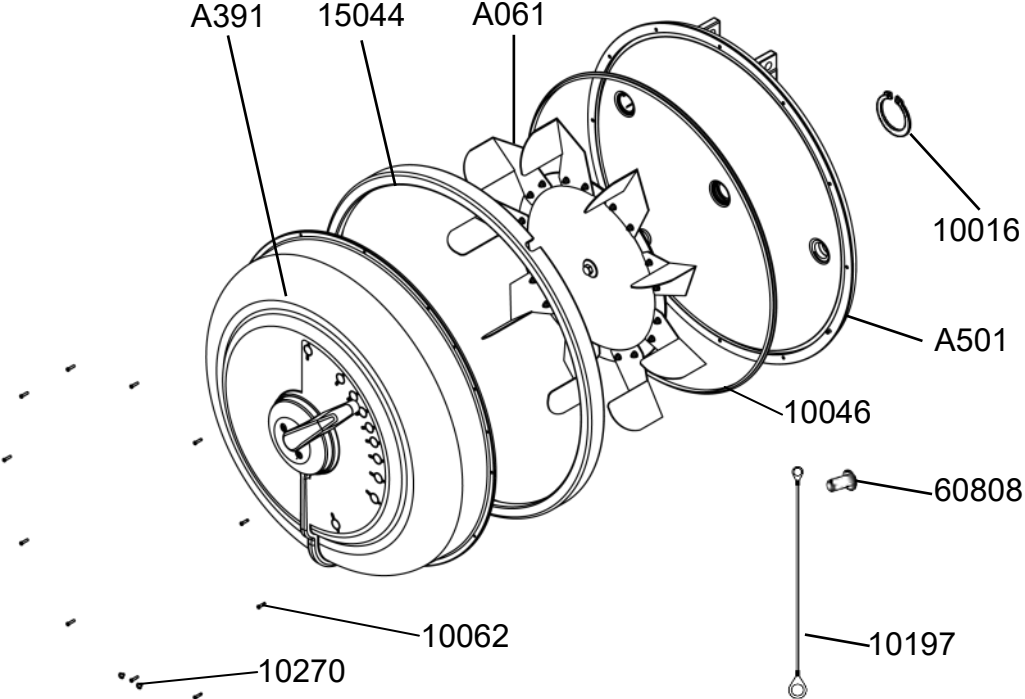
10080	2	Dome Head Bolt M6x20
10081	2	Washer M6x16x1
10082	2	Washer M10x21x2
10140	2	Rear Leg Bolt M10x47.5mm
80805	1	Seat Rail Left With Decals #11202 - E350
80806	1	Seat Rail Right With Decals #11202 - E350

A274 Tensioning Bolt Complete



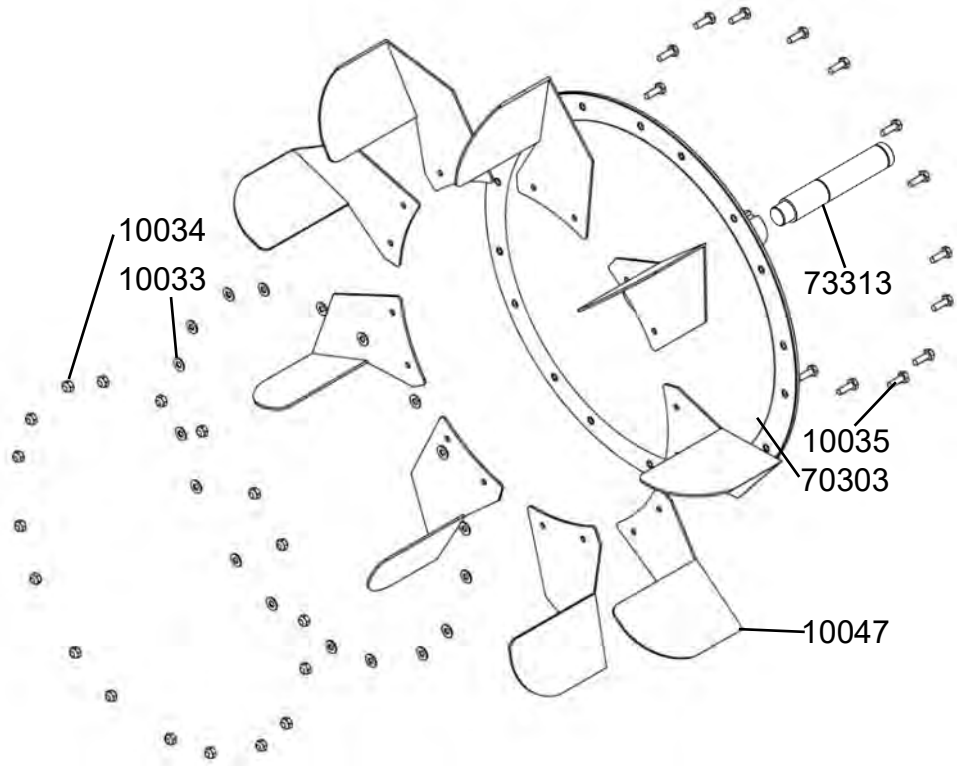
10042	1	Nyloc Nut M12
10043	1	Washer M13x24x2t
70401	1	Frame Tensioning Bolt E316
70404	1	Frame tensioning Bolt Adjuster Knob

A411 Complete Tank Assembly E316A/VX-2A



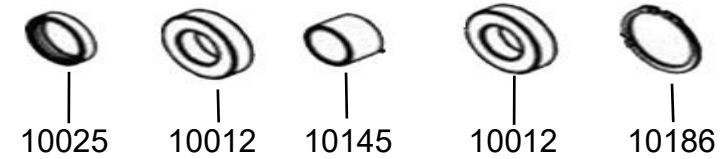
A061	1	Flywheel Complete Assembly
A391	1	Tank Cover Assembly
A501	1	Tank Back Kit - Black
10016	1	C Clip STW-25
10046	1	Tank Large Seal
10062	12	Round Head Phillips Screw M3x12 SUS
10197	1	Grounding wire with O-pin
10270	2	Round Head Phillips Bolt M4x8 SUS
15044	1	Tank Outer Cover Ring - Black
60808	1	Dome Head Bolt M8x15mm

A061 Flywheel Assembly E316/VX-2/S6



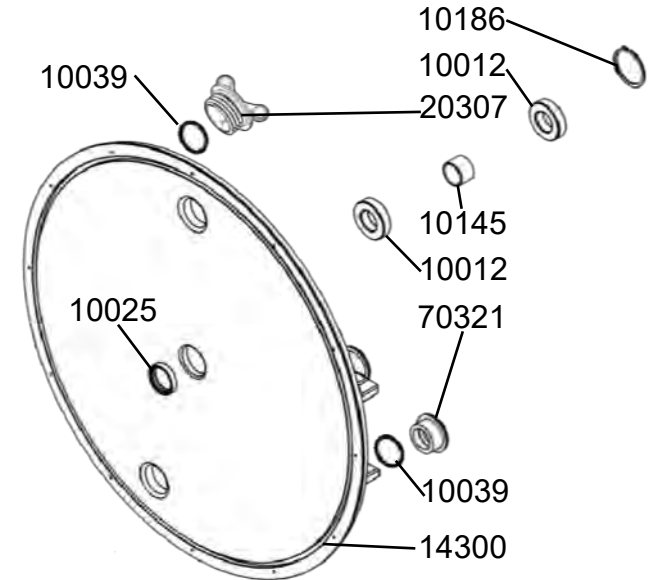
10033	18	Washer 10x4.2x1 SUS
10034	18	Nut M4 SUS
10035	18	Hex Bolt M4 SUS
10047	9	Impeller Blade
70303	1	Flywheel
73313	1	Impeller Shaft L16

A012 Tank Bearing & Seal Kit



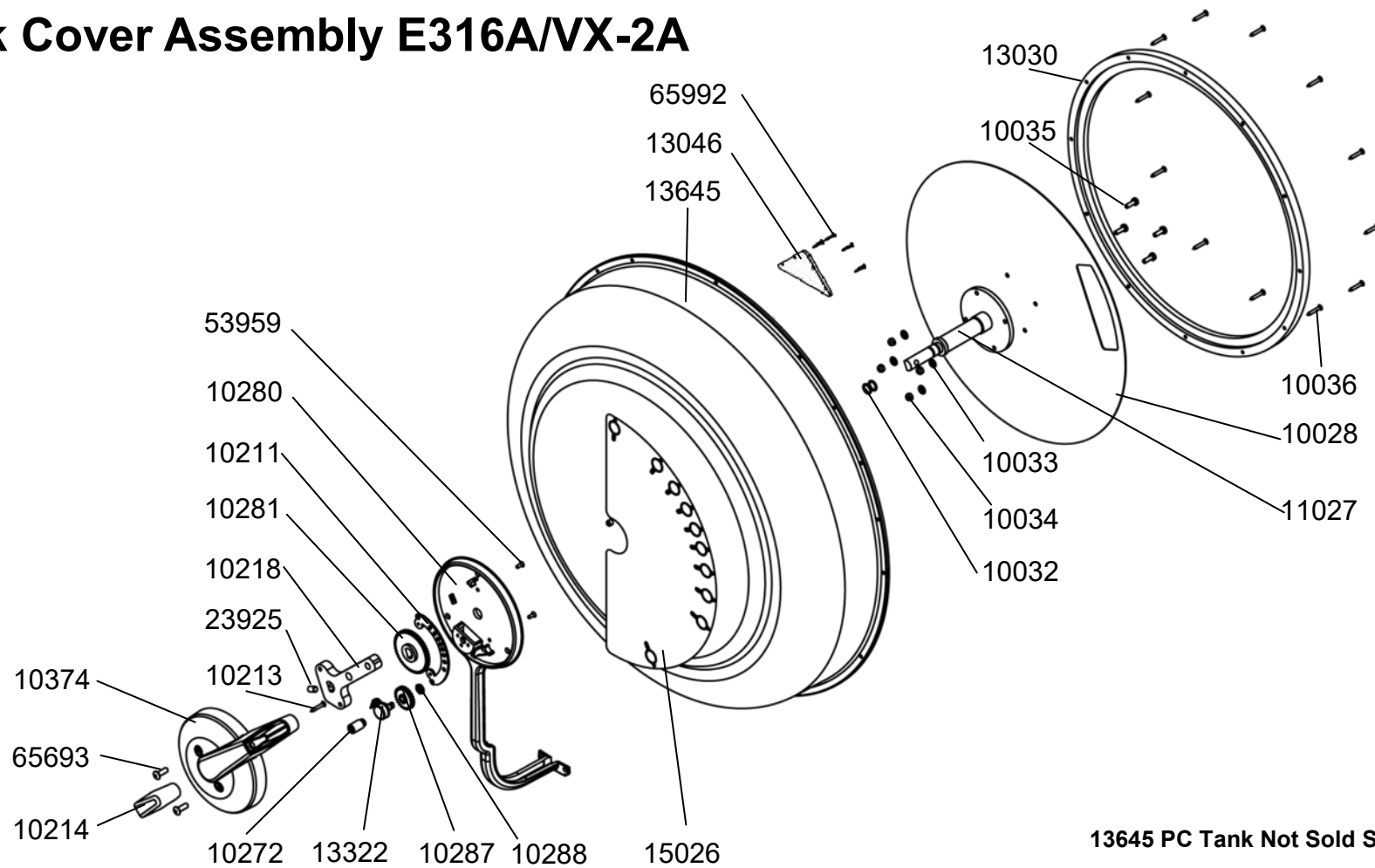
10012	2	Bearing NSK6005ZZ
10025	1	Seal NBR 37x30x8t for Flywheel Shaft
10145	1	Bearing Spacer 30x25.1x20.5mm
10186	1	C Clip RTW-48

A501 Tank Back Kit - Black



10012	2	Bearing NSK6005ZZ
10025	1	Seal NBR 37x30x8t for Flywheel Shaft
10145	1	Bearing Spacer 30x25.1x20.5mm
10186	1	C Clip RTW-48
14300	1	Tank Back
20307	1	Wing Plug Black with Flat O-Ring #10039
70321	1	Tank Plug Black with O-Ring #10039

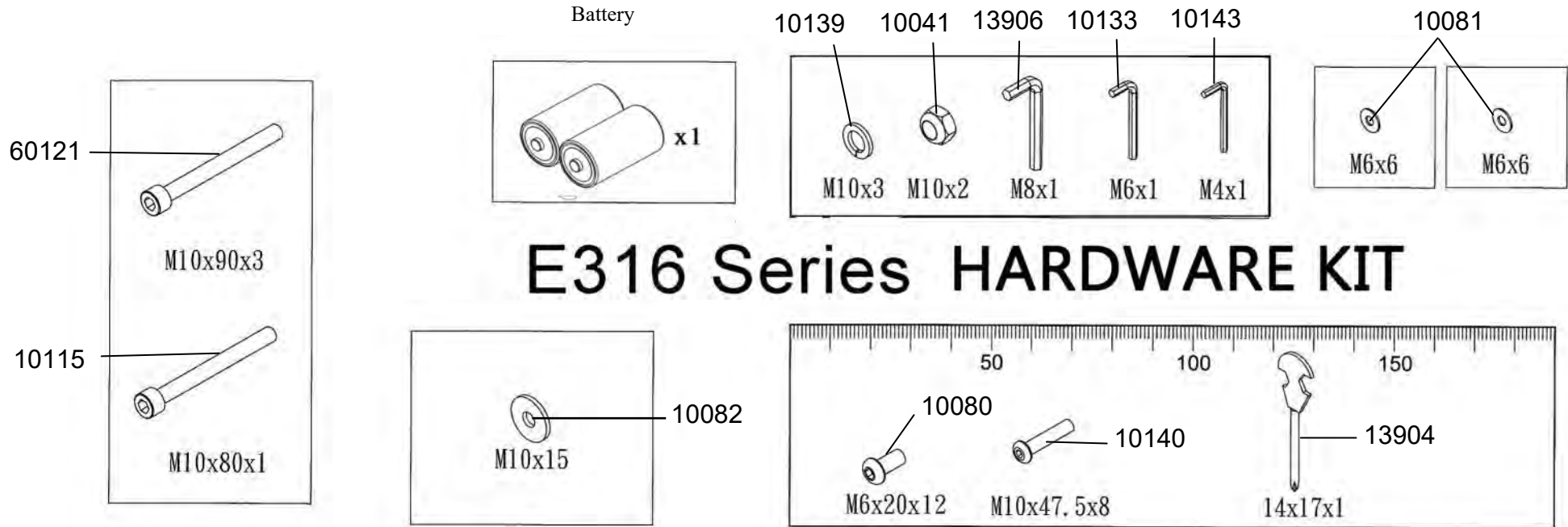
A391 Tank Cover Assembly E316A/VX-2A



13645 PC Tank Not Sold Separately

10028	1	Backing Plate 0.8mm SUS	10272	1	M10 Ball Plunger
10032	2	Nylon Resistance Adjuster O Ring 12x9x1.5	10280	1	Lever Base incl. Potentiometer, #13322 Gear #10287 & Nut #10288
10033	4	Washer 10x4.2x1 SUS	10281	1	Gear M1T48
10034	4	Nut M4 SUS	10374	1	Adjuster Knob - Blue
10035	4	Hex Bolt M4 SUS	11027	1	Adjuster Handle Shaft
10036	12	Flat Tapping Screw M3x20 SUS	13030	1	Adjuster PP Tank Ring 358x10
10213	1	Counter Sunk Screw M3x25 - SUS	13645	1	PC Tank Cover with Decal #15026 & Triangle plate #13046 & Bolts #65992
10214	1	Adjuster Knob Cap	23925	1	Grub Screw M6x10
10217	1	Locating Plate	53959	2	Counter Sunk Bolt M3x8 -SUS
10218	1	Adjuster Handle	65693	2	Dome Head Bolt M5x15 - B

H316A - Hardware Kit



E316 Series HARDWARE KIT

10041	2	Nyloc Nut M10
10080	12	Dome Head Bolt M6x20
10081	12	Washer M6x16x1
10082	15	Washer M10x21x2
10115	1	Hex Head Bolt M10x80
10133	1	Allen Key 6mm
10139	3	Spring Washer M10
10140	8	Rear Leg Bolt M10x47.5mm
10143	1	Allen Key 4mm
10208	1	D Cell Duracell Battery
13904	1	Multi-Tool
13906	1	Allen Key 8mm
60121	3	Hex Head Bolt M10x90