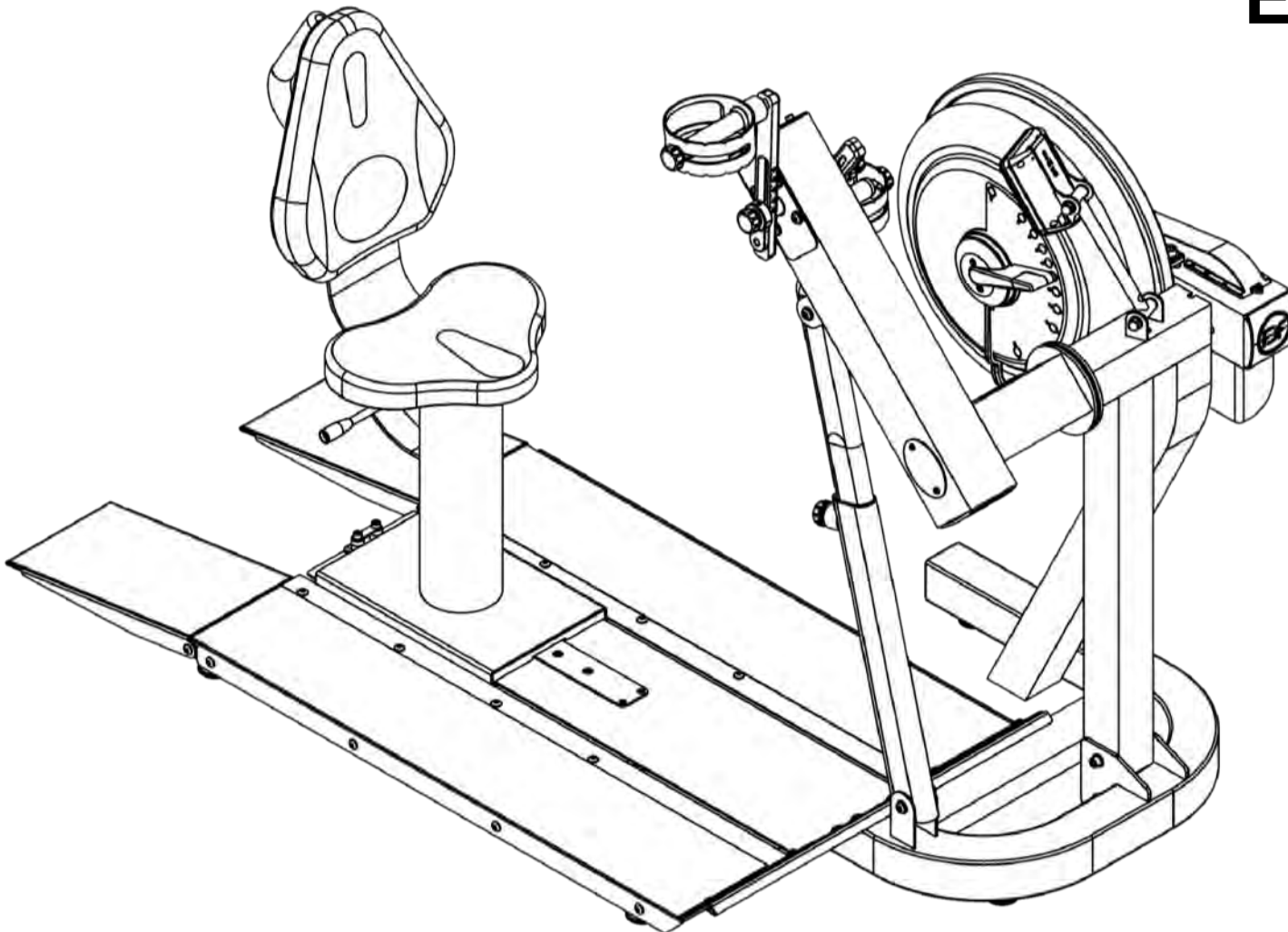
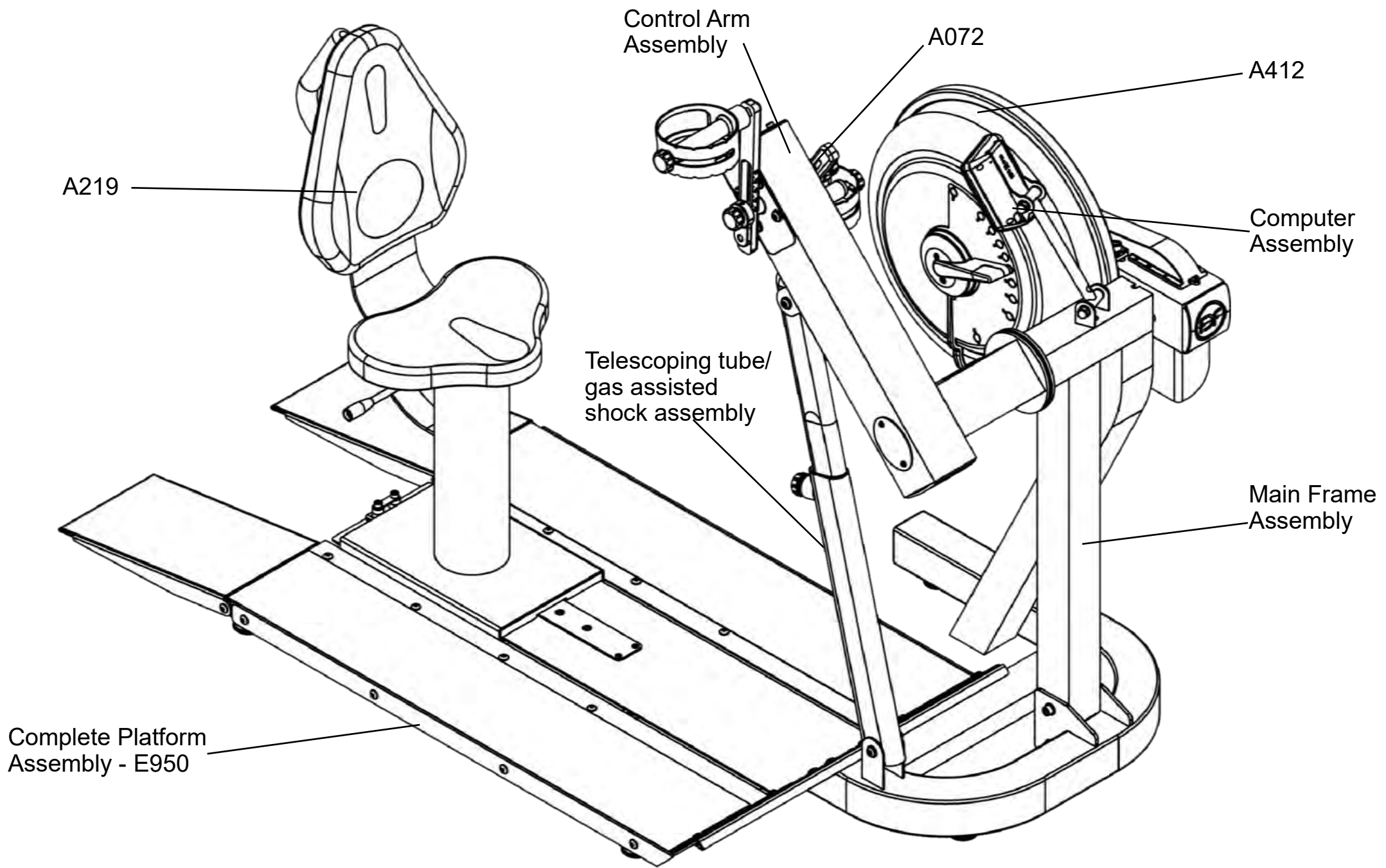


E950



Exploded Diagrams





Control Arm Assembly

A072

A412

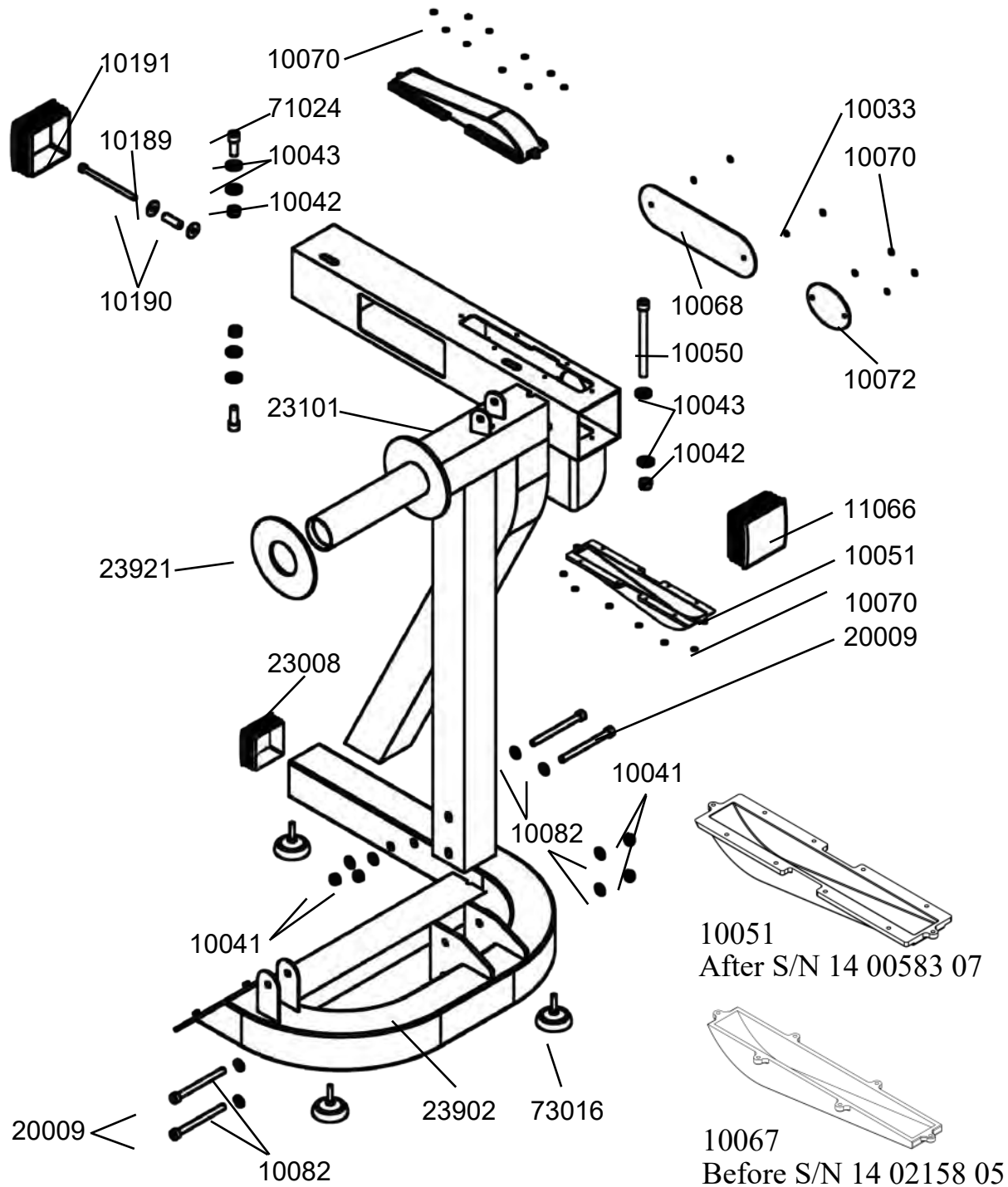
Computer Assembly

Telescoping tube/
gas assisted
shock assembly

Main Frame Assembly

Complete Platform Assembly - E950

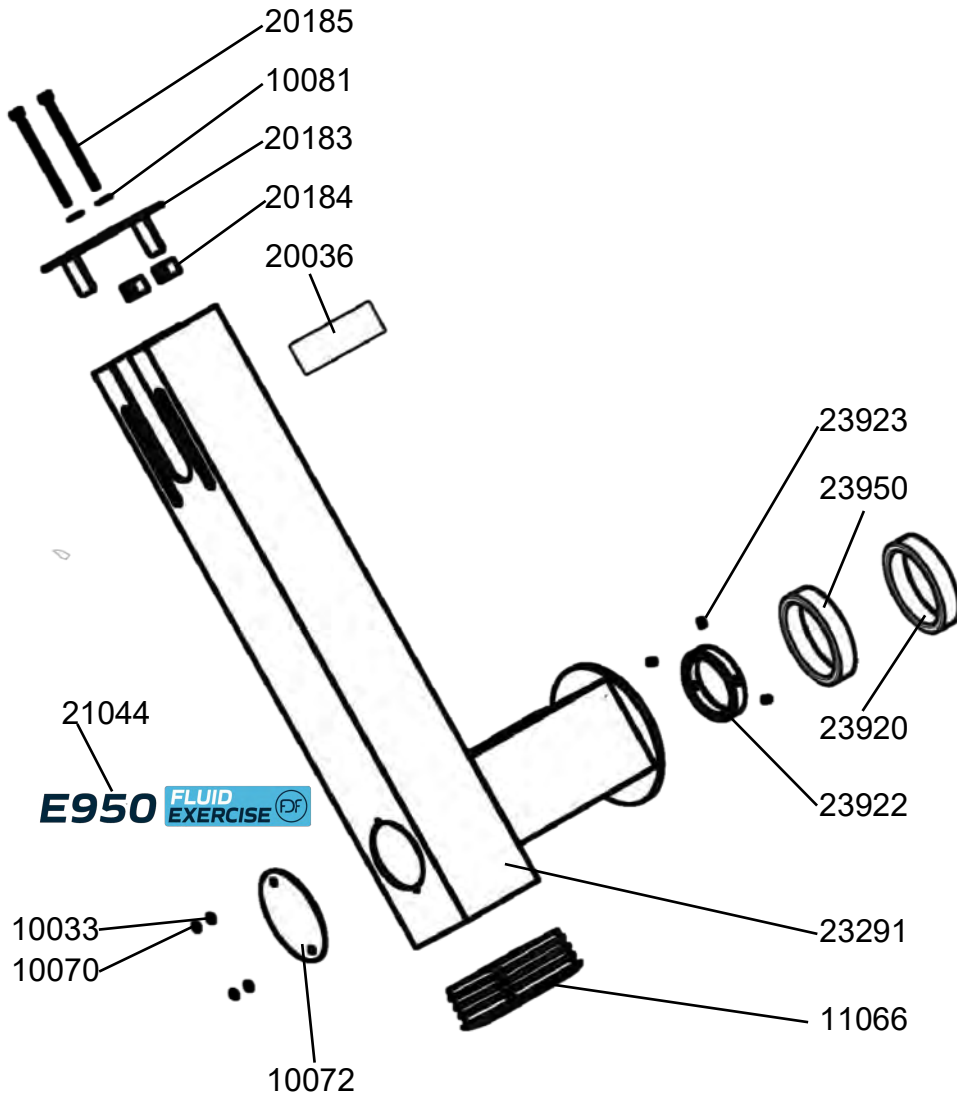
A219



Main Frame Assembly

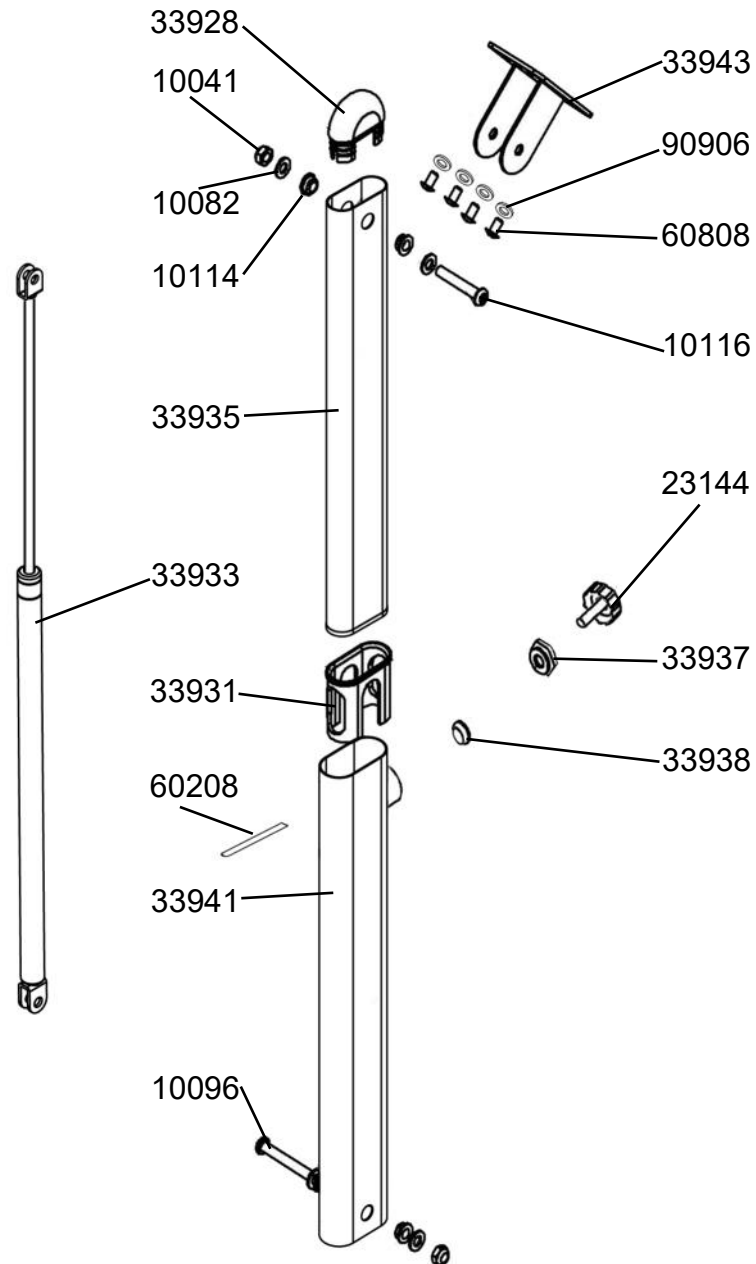
10033	4	Washer 10x4.2x1 SUS
10041	4	Nyloc Nut M10
10042	3	Nyloc Nut M12
10043	6	Washer M13x24x2t
10050	1	Hex Head Bolt M12x150
10051	2	Rubber Cover for Large PK Pulley
10068	1	Large Steel Side Cover 276mm
10070	24	Round Head Phillips Screw M4x10
10072	1	Small Steel Side Cover 100mm
10082	8	Washer M10x21x2
10189	1	Tank Tension Adjustment Bushing
10190	2	Washer M8x26x2
10191	1	Hex Head Bolt M8x120
11066	2	End Cap 100x100mm
20009	4	Hex Head Bolt M10x100
23008	1	End Cap 75x75 Rubber
23101	1	Main Frame –E850 & E950
23902	1	Lower Main Frame - E850 & E950
23921	1	Control Arm Spacer 150x5.0
71024	2	Hex Head Bolt M12x35
73016	3	Foot Leveler M8x30 PVC

Control Arm Assembly



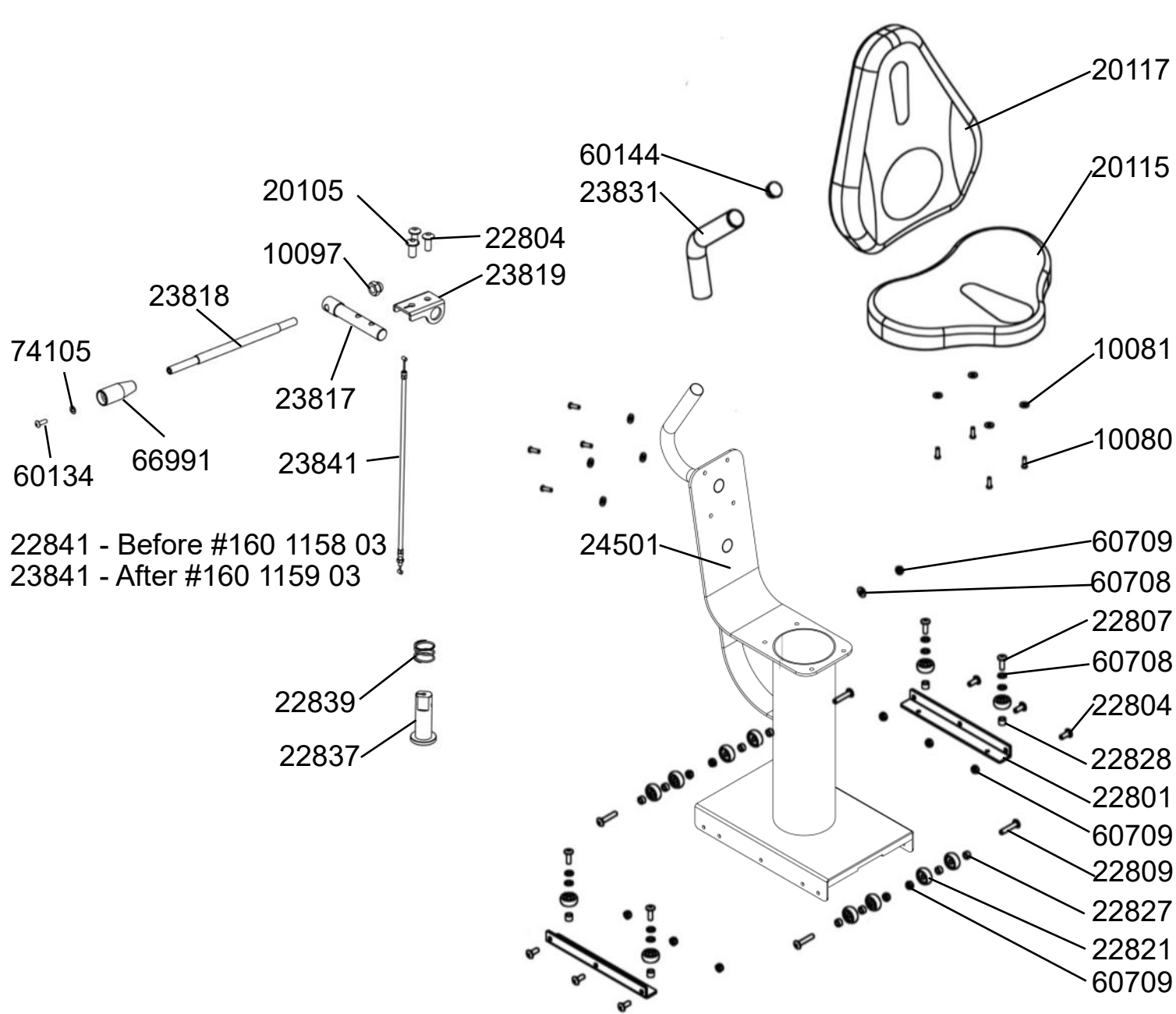
10033	2	Washer 10x4.2x1 SUS
10070	2	Round Head Phillips Screw M4x10
10072	1	Small Steel Side Cover 100mm
10081	2	Washer M6x16x1
11066	1	End Cap 100x100mm
20036	1	Small Warning Decal
20183	1	Adjuster Cover 100x100x3
20184	2	Square Adjuster Nut
20185	2	Dome Head Bolt M6x100
21044	1	Decal - E950 Fluid Exercise
23291	1	Control Arm Complete 820/920
23920	1	Control Arm Bushing - Inner 71.7x60.2x20
23922	1	Control Arm Locking Collar E850 & E950
23923	3	Grub Screw M6x8
23950	1	Control Arm Bushing - Outer 71.9x60.2x20

Telescoping tube/gas assisted shock assembly



10041	2	Nyloc Nut M10
10082	4	Washer M10x21x2
10096	1	Dome Head Bolt M10x70
10114	4	Plastic Bushing 20x16x13x10
10116	1	Dome Head Bolt M10x60
23144	1	Handle Lock Knob M10x32 - Yellow
33928	1	Internal Tube End Cap
33931	1	Telescoping Tube Plastic Sleeve
33933	1	Hydraulic Shock
33935	1	Telescoping Tube (Internal Scribed)
33937	1	Flange Nut M25
33938	1	Copper Locating Bushing
33941	1	Telescoping Tube External
33943	1	Telescoping Bracket
60208	1	Transport Wheel Fastener
60808	4	Dome Head Bolt M8x15
90906	4	Spring Washer M8

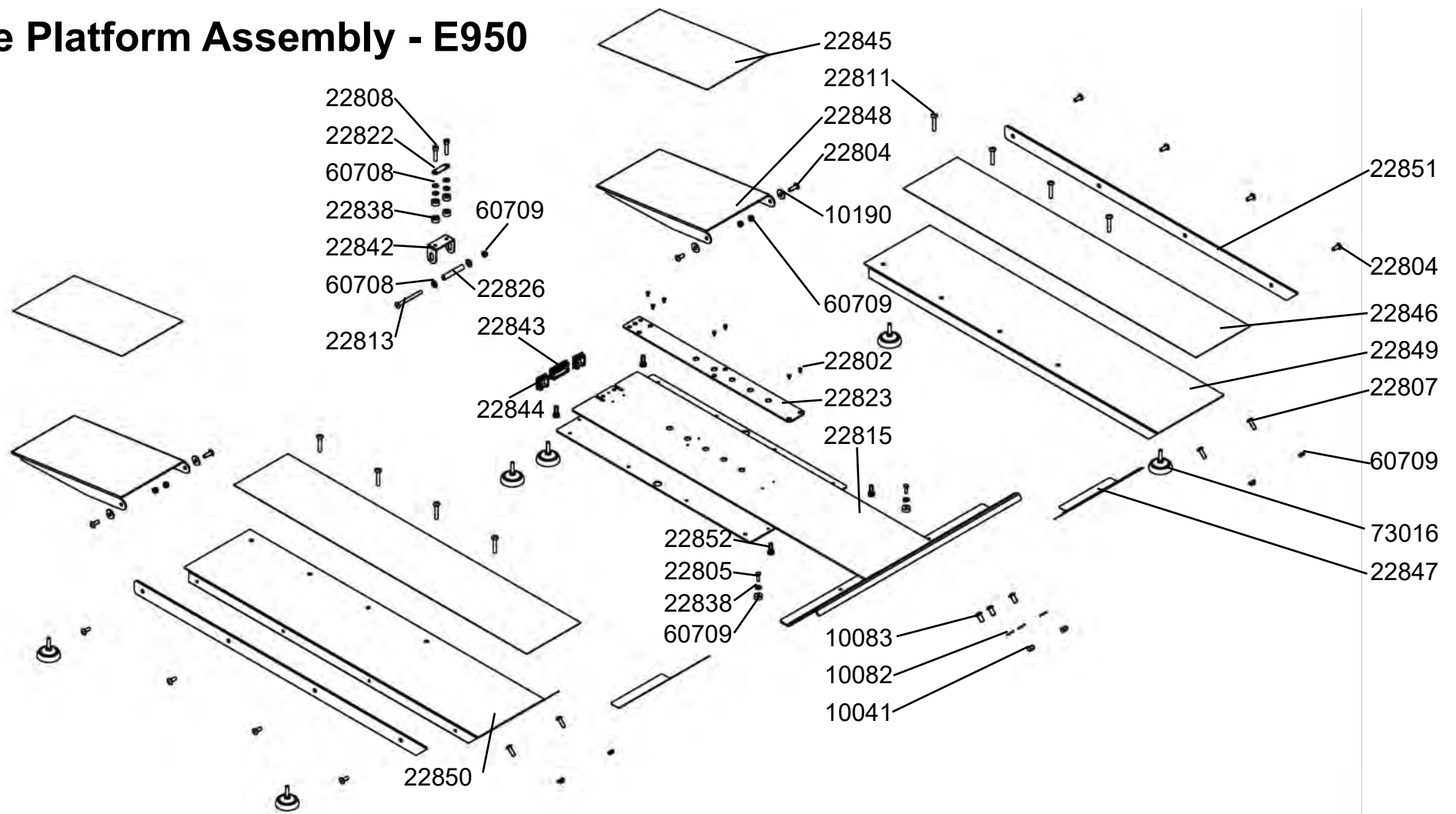
A219 Complete Seat Assembly



22841 - Before #160 1158 03
 23841 - After #160 1159 03

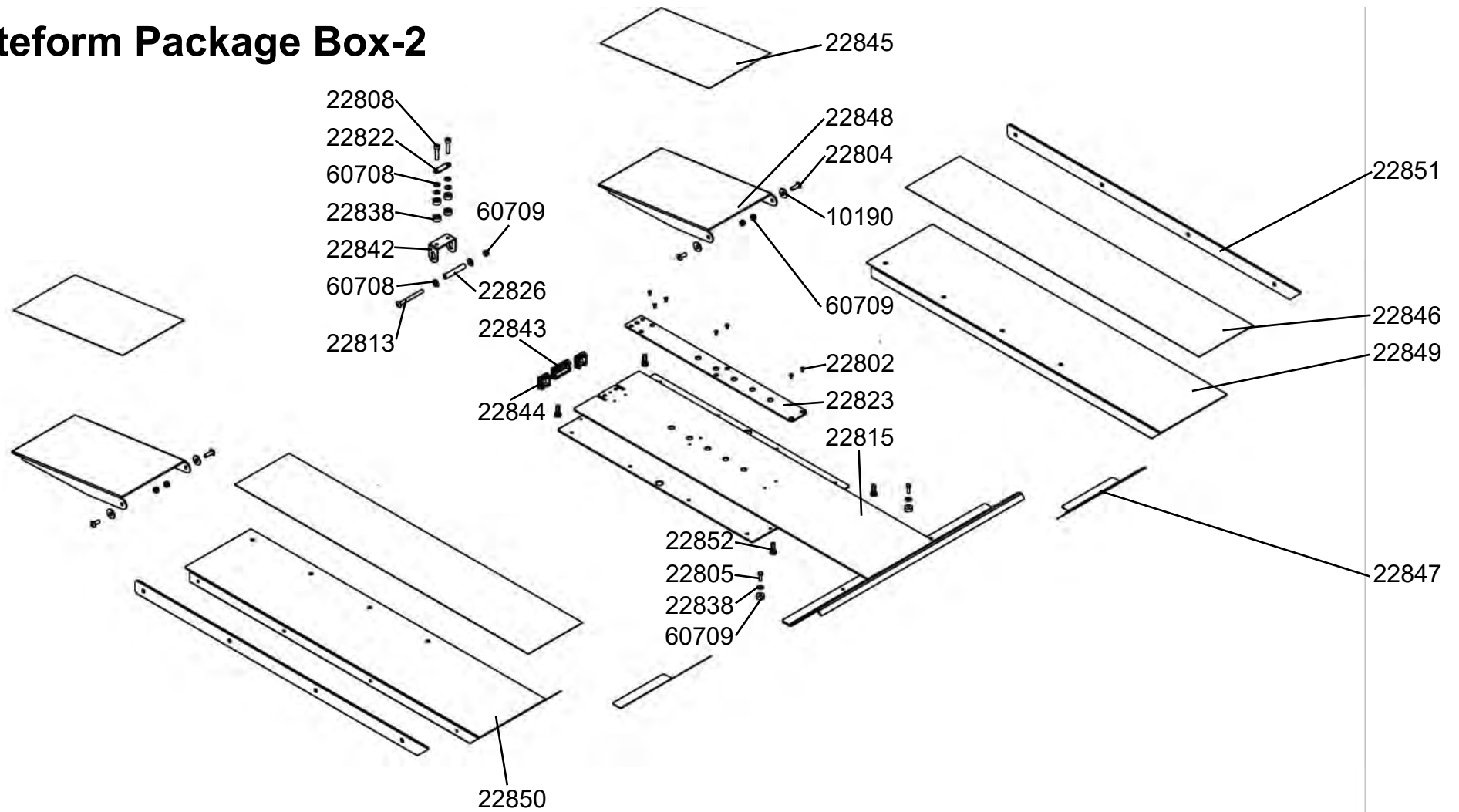
10080	8	Dome Head Bolt M6x20
10081	8	Washer M6x16x1
10097	1	Nut Dome Head M10
20115	1	Seat LS-622
20117	1	Seat Back LS-622
20150	1	Dome Head Bolt M10x15
22801	2	L Bracket For 820/920 Seat Base
22804	8	Dome Head Bolt M8x20
22807	4	Dome Head Bolt M8x25
22809	4	Dome Head Bolt M8x40
22821	12	PU Wheel For Seat
22827	8	Bushing 12.7x8.1x7
22828	4	Bushing 12.7x8.1x10
22837	1	Positioning Pin
22839	1	Spring 26x20x3.5
23817	1	Handle Shaft for Seat Lifting Pin
23818	1	Handle for Seat
23819	1	Bracket for Lifting Pin
23831	1	Handle Grip 28.6x330 820/920
23841	1	Tension Cable 1.5x330mm for Lifting Pin
24501	1	Seat Frame for 820/920
60134	1	Tank Internal Screw M5x15
60144	1	Rower Handle End Inserts 28.6mm
60708	9	Washer M8x19x1.6
60709	11	Nyloc Nut M8
66991	1	Handle Cap
74105	1	Washer M5 SUS

Complete Platform Assembly - E950



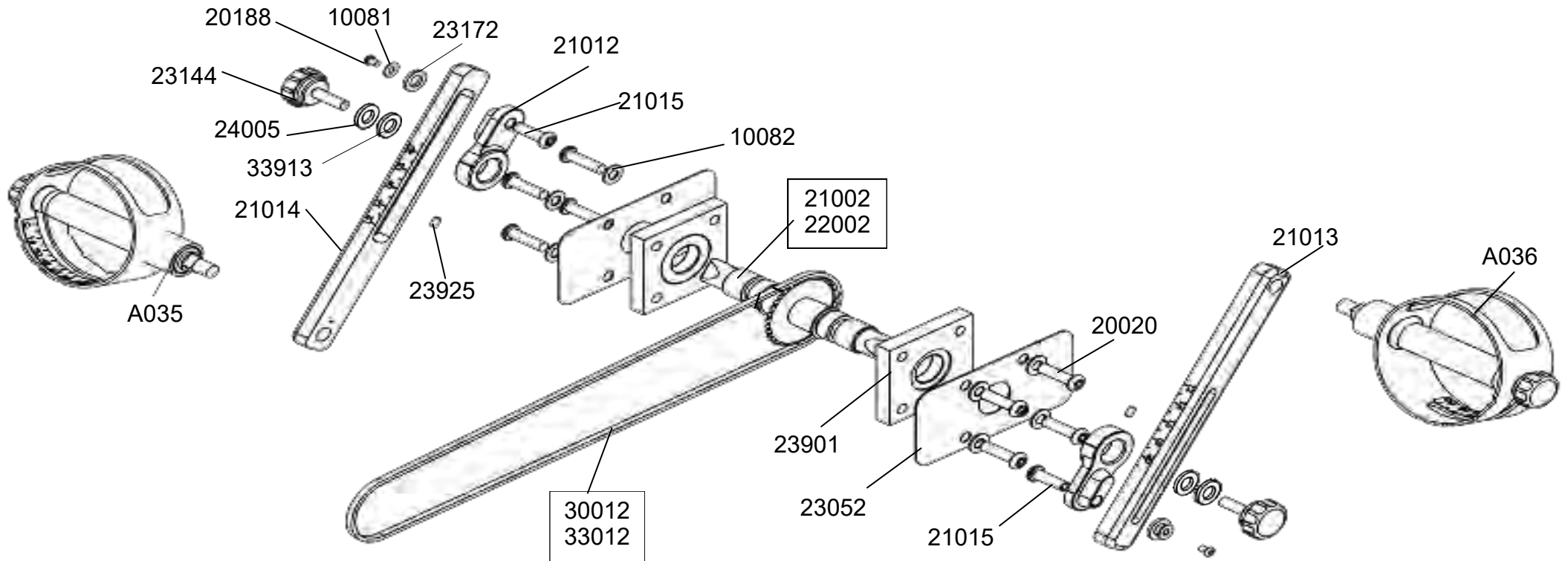
10041	2	Nyloc Nut M10	22815	1	T Track	22848	2	Ramp 920
10082	3	Washer M10x21x2	22822	1	Bracket for Seat Base Pop Pin	22849	1	Footplate - Left 950
10083	3	Dome Head Bolt M10x20	22823	1	Locating Plate	22850	1	Footplate - Right 950
10190	4	Washer M8x26x2	22826	1	Bushing 12.7x8.1x69	22851	2	Side Cover - Yellow Baseplate
22802	7	Counter Sunk Bolt M5x10 SUS	22838	6	Spacer - Rubber	22852	4	Hex Head Bolt M5x10 - B
22804	12	Dome Head Bolt M8x20	22842	1	U Bracket	22853	1	Decal - Seat Stop
22805	2	Hex Bolt M8x20	22843	1	End Cap 30x60	60708	6	Washer M8.5x19x1.6t
22807	4	Dome Head Bolt M8x25	22844	2	End Cap 34x34	60709	11	Nyloc Nut M8
22808	2	Hex Head Bolt M8x30 SUS	22845	2	Non Slip for Ramps 920	73016	6	Foot Leveler M8x30 PVC
22811	8	Dome Head Bolt M8x45	22846	2	Non Slip for Footplate 920			
22813	1	Hex Head Bolt M8x90 SUS	22847	2	Non Slip for Foot Rest 920			

A109 Platform Package Box-2



10190	4	Washer M8x26x2	22826	1	Bushing 12.7x8.1x69	22848	2	Ramp 920
22802	7	Counter Sunk Bolt M5x10 SUS	22838	6	Spacer - Rubber	22849	1	Footplate - Left
22805	2	Hex Bolt M8x20	22842	1	U Bracket	22850	1	Footplate - Right
22808	2	Hex Head Bolt M8x30 SUS	22843	1	End Cap 30x60	22851	2	Side Cover - Yellow E920 Baseplate
22813	1	Hex Head Bolt M8x90 SUS	22844	2	End Cap 34x34	22852	4	Hex Head Bolt M5x10 - B
22815	1	T Track	22845	2	Non Slip for Ramps	22853	1	Decal-Seat Stop
22822	1	Bracket for Seat Base Pop Pin	22846	2	Non Slip for Footplate	60708	6	Washer M8.5x19x1.6t
22823	1	Locating Plate	22847	2	Non Slip for Foot Rest	60709	7	Nyloc Nut M8

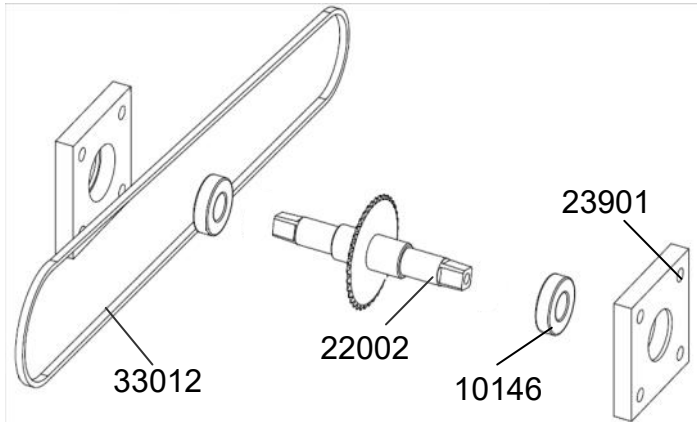
E950 Crank Arm Complete Assembly



A035	1	Handle Complete - Left	22002	1	Axle & Cog for CHC-35
A036	1	Handle Complete - Right	23052	2	Side Bearing Cover
10081	2	Washer M6x16x1	23144	2	Handle Lock Knob M10x32 - Yellow
10082	8	Washer M10x21x2	23172	2	Plastic Washer M10x21x3
20020	8	Dome Head Bolt M10x35	23901	2	Aluminum Block Bearing Housing Including Ball Bearing NSK6006ZZ
20188	2	Dome Head Bolt M6x10	23925	2	Grub Screw M6x10
21002	1	Axle & Cog for CHC-25	24005	2	Washer M11x22x1t SUS
21012	2	Slider	30012	1	Chain 178 for CHC-25 Before S/N 15 01108 08
21013	1	Slider Arm - Right (manufactured AFTER April 2012)	33012	1	Chain 118 for CHC-35 After S/N 15 01109 08 Onwards
21014	1	Slider Arm - Left (manufactured AFTER April 2012)	33913	2	Plastic Spacer 10x25x4T
21015	2	Bolt 10mmx31xM6x15			

A171 Rotating Arm Internal Components for CHC35

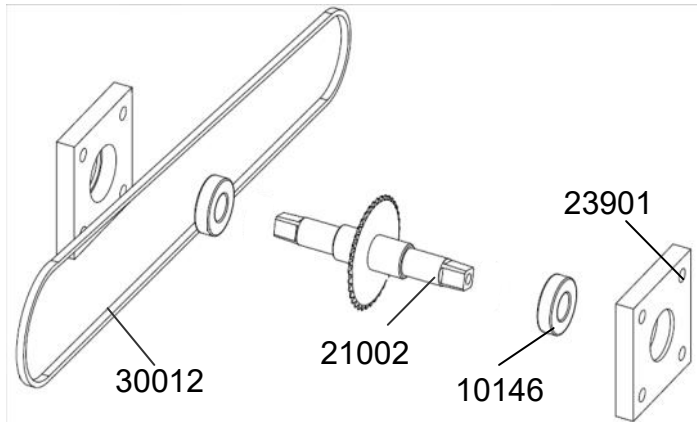
Applied After S/N 15 01109 08 Onwards



22002	1	Axle & Cog E920/UBE for CHC-35
23901	2	Aluminum Block Bearing Housing Including Ball Bearing NSK6006ZZ #10146
33012	1	Chain 118 for CHC-35

A151 Rotating Arm Internal Components for CHC25

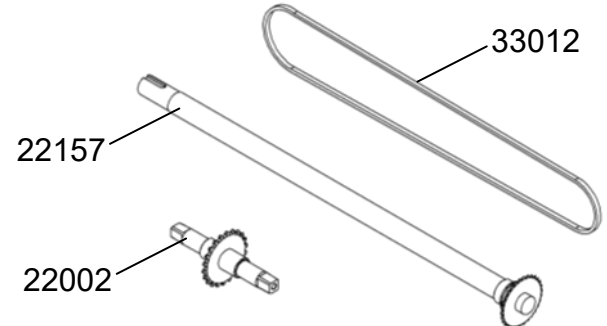
Applied Before S/N 15 01108 08



21002	1	Axle & Cog E920/UBE for CHC-25
23901	2	Aluminum Block Bearing Housing Including Ball Bearing NSK6006ZZ #10146
30012	1	Chain 178 for CHC-25

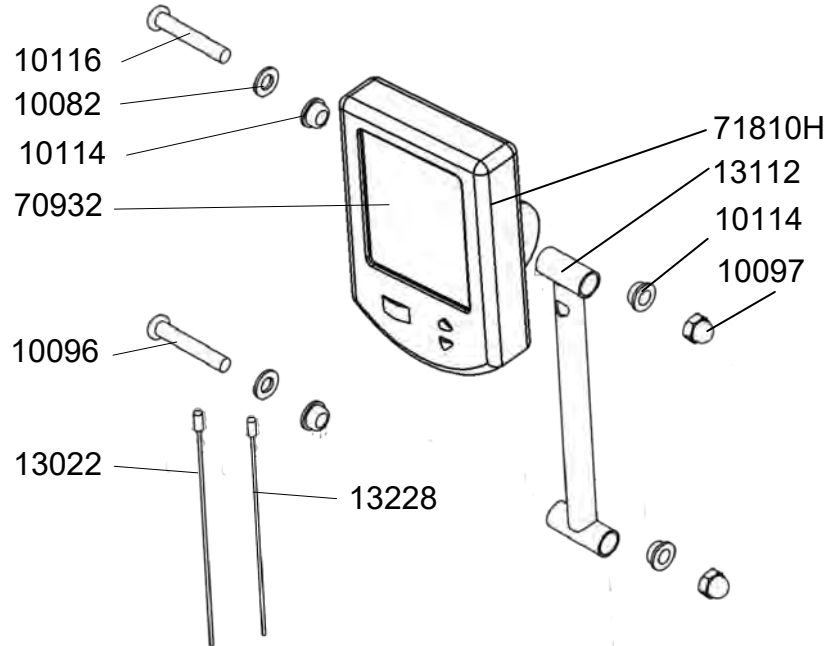
A112 E920 Chain Upgrade Kit

This kit applies to all UBE & E920 before serial number 15 01109 08.



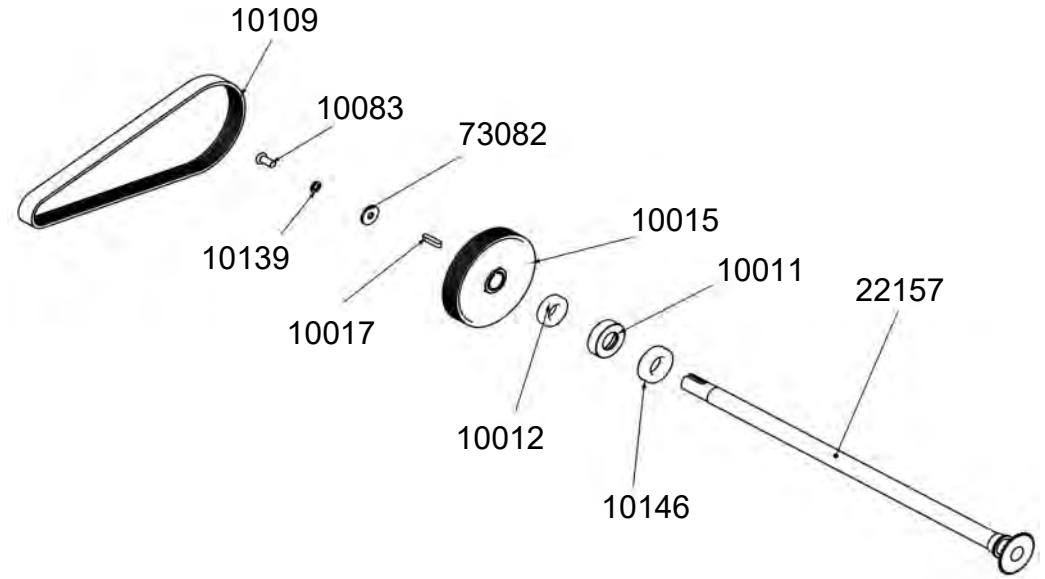
22002	1	Axle & Cog E920/UBE for CHC-35
22157	1	Shaft and Sprocket 820/920 for CHC-35
33012	1	Chain 118 for CHC-35

Computer Assembly



10082	2	Washer M10x21x2
10096	1	Dome Head Bolt M10x70
10097	2	Nut Dome Head M10
10114	4	Plastic Bushing 20x16x13x10
10116	1	Dome Head Bolt M10x60
13022	1	Computer Wiring 800mm
13112	1	Computer Mounting Arm
13228	1	Level Wiring 1200mm
70932	1	LCD for Auto Level
71810H	1	Bluetooth Auto-Adjust Monitor - E850/E950

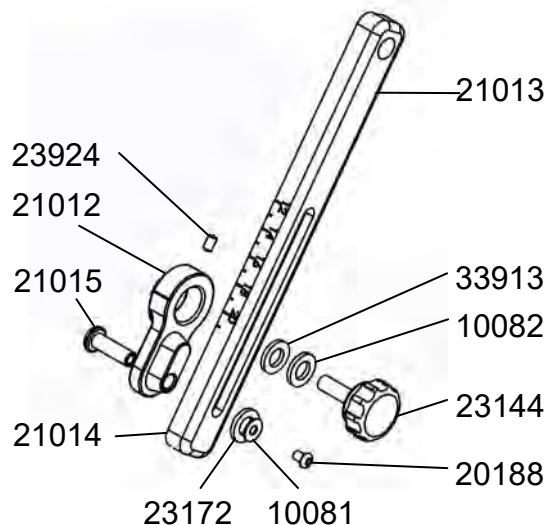
Main Drive Assembly



10011	1	Bearing Housing on Pulley Shaft
10012	1	Bearing NSK6005ZZ
10015	1	Large PK Transmission Pulley 150mm
10017	1	Key Way 7x7x32
10083	1	Dome Head Bolt M10x20
10109	1	PK Belt 7 Rib 926mm Hutchinson
10139	1	Spring Washer M10
10146	1	Ball Bearing NSK6006ZZ
22157	1	Shaft & Sprocket 820/920 for CHC-35
73082	1	Washer 30x10.2x3t SUS

A074 Slider Arms Assembly—Left

10081	1	Washer M6x16x1
10082	1	Washer M10x21x2
20188	1	Dome Head Bolt M6x10
21012	1	Slider
21014	1	Slider Arm -Left E920 (manufactured AFTER April 2012)
21015	1	Bolt 10mmx31xM6x15
23144	1	Handle Lock Knob M10x32 - Yellow
23172	1	Plastic Washer M10x21x3
23925	1	Grub Screw M6x10
33913	1	Plastic Spacer 10x25x4T

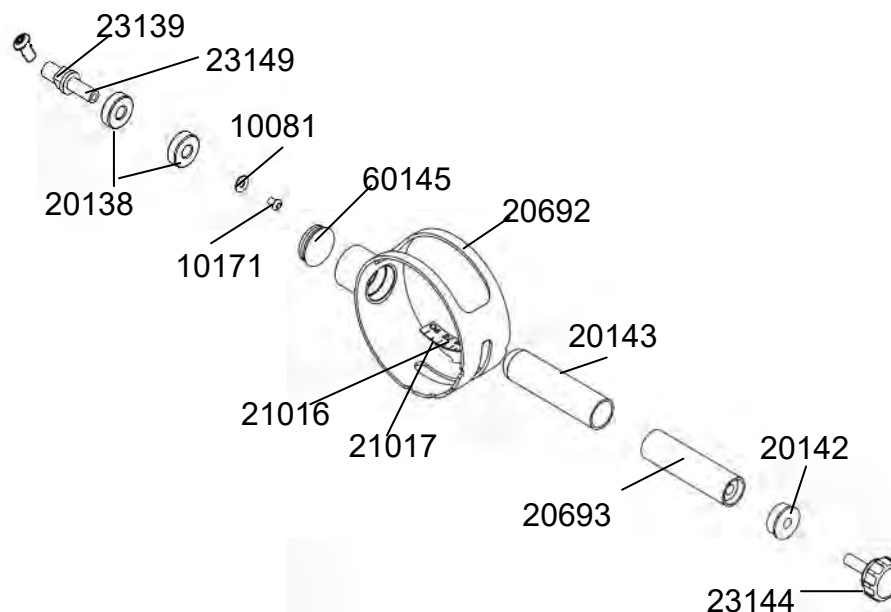


A073 Slider Arms Assembly—Right

10081	1	Washer M6x16x1
10082	1	Washer M10x21x2
20188	1	Dome Head Bolt M6x10
21012	1	Slider
21013	1	Slider Arm - Right E920 (manufactured AFTER April 2012)
21015	1	Bolt 10mmx31xM6x15
23144	1	Handle Lock Knob M10x32 - Yellow
23172	1	Plastic Washer M10x21x3
23925	1	Grub Screw M6x10
33913	1	Plastic Spacer 10x25x4T

A035 Handle Complete - Left

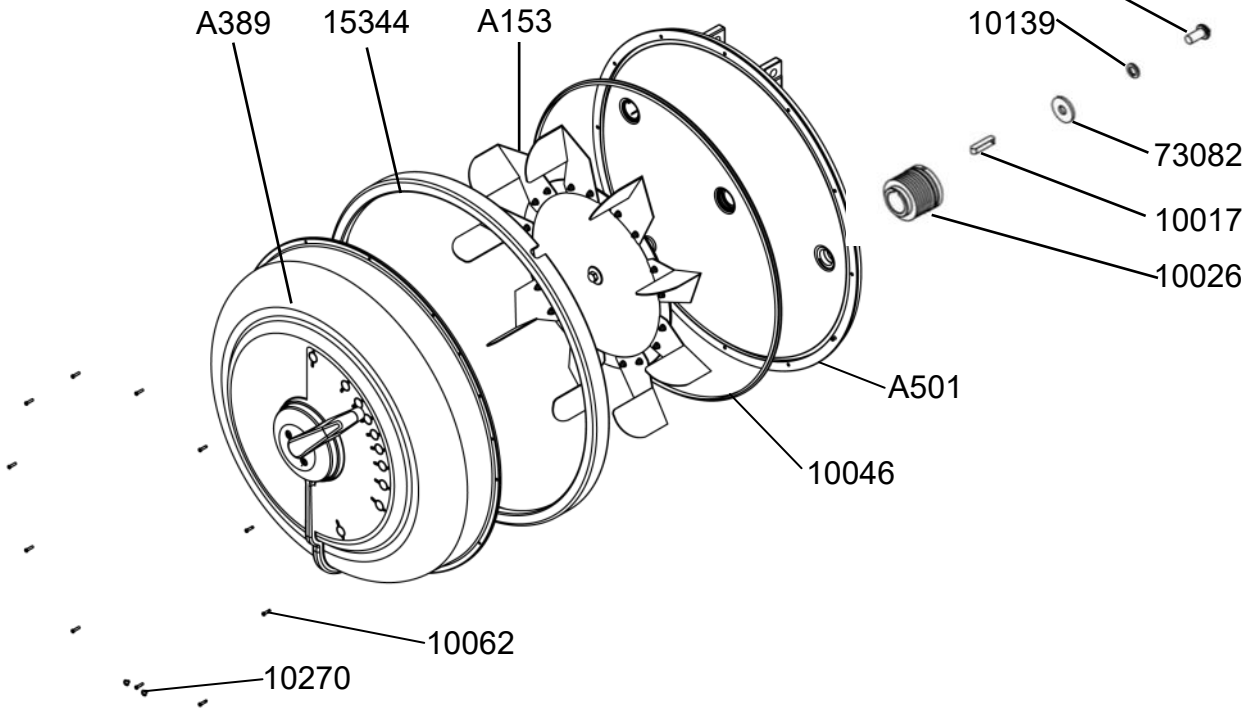
10081	1	Washer M6x16x1
10171	1	Dome Head Bolt M6x8
20138	2	Bearing NSK6201ZZ
20142	1	Plastic Washer 32x8.2x12t
20143	1	Handle Grip for Pedal
20692	1	Handle Guard
20693	1	Handle Bar
21016	1	Decal - Angle in Handle - Left
23139	1	Handle Shaft with Bolt-Left E920
23144	1	Handle Lock Knob M10x32 - Yellow
60145	1	End Cap 38



A036 Handle Complete - Right

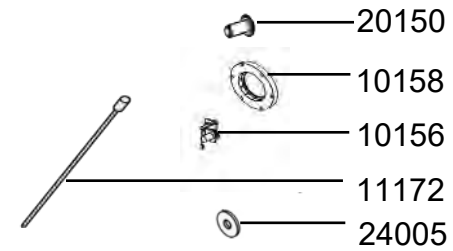
10081	1	Washer M6x16x1
10171	1	Dome Head Bolt M6x8
20138	2	Bearing NSK6201ZZ
20142	1	Plastic Washer 32x8.2x12t
20143	1	Handle Grip for Pedal
20692	1	Handle Guard
20693	1	Handle Bar
21017	1	Decal - Angle in Handle - Right
23144	1	Handle Lock Knob M10x32 - Yellow
23149	1	Handle Shaft with Bolt-Right
60145	1	End Cap 38

A412 Complete Tank Assembly



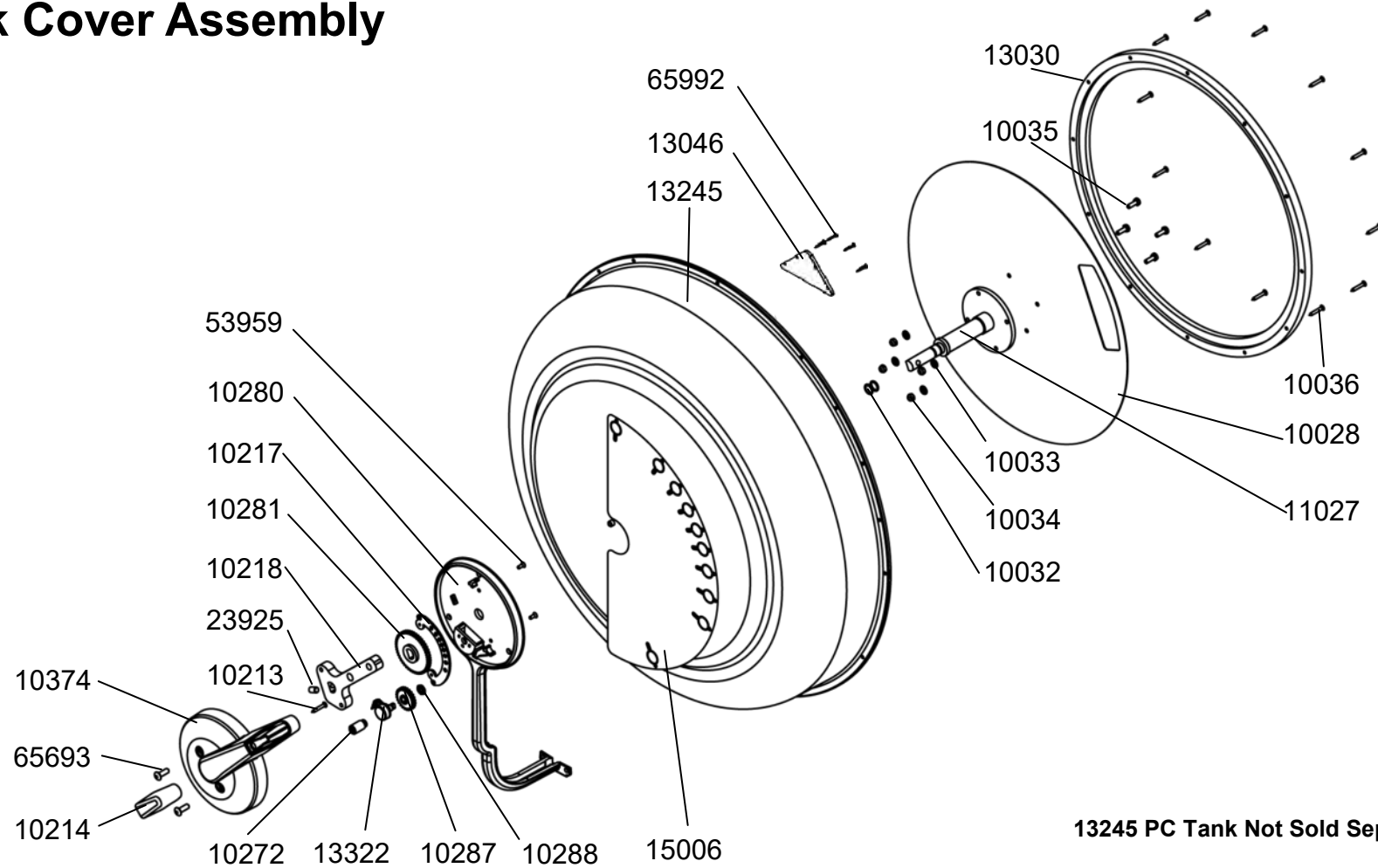
A153	1	Flywheel Assembly
A389	1	Tank Cover Assembly
A501	1	Tank Back Kit - Black
10017	1	Key Way 7x7x32
10026	1	Small 5PK Transmission Pulley 50mm
10046	1	Tank Large Seal
10062	12	Round Head Phillips Screw M3x12 SUS
10083	1	Dome Head Bolt M10x20
10139	1	Spring Washer M10
10270	2	Round Head Phillips Screw M4x10
15344	1	Tank Outer Cover Ring - Black
73082	1	Washer 30*10.2*3t SUS

A206 Sensor Kit



10156	1	Sensor Bracket
10158	1	Magnetic Ring & 6x Rare Earth Magnet 4mm #10057
11172	1	Sensor 100mm
20150	1	Dome Head Bolt M10x15
24005	1	Washer M11x22x1t SUS

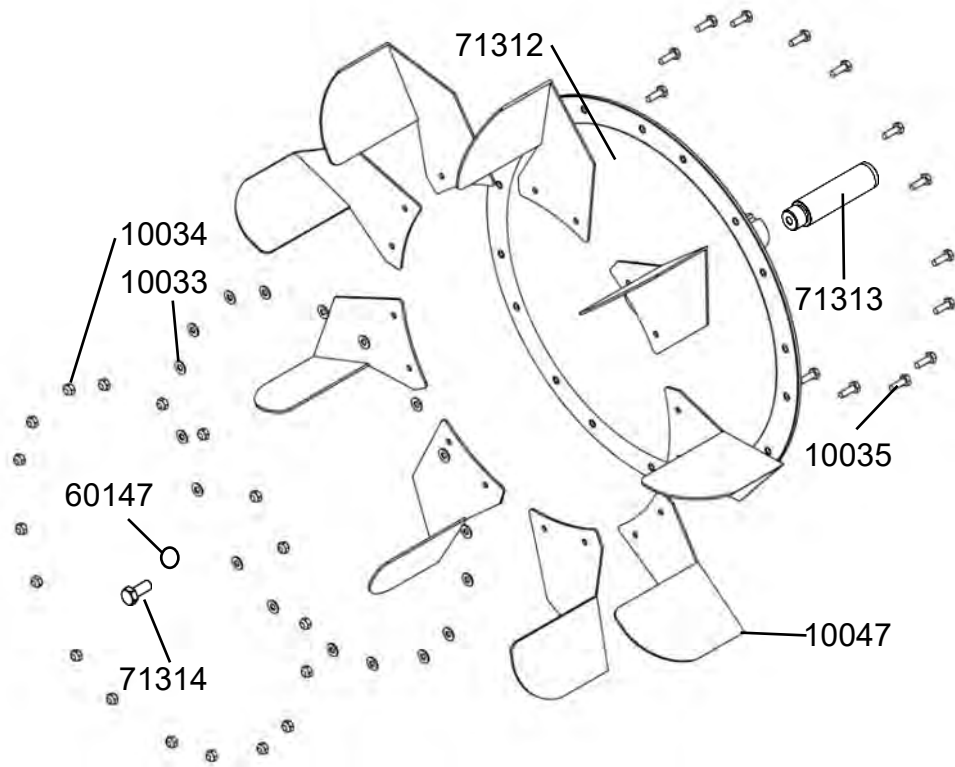
A389 Tank Cover Assembly



13245 PC Tank Not Sold Separately

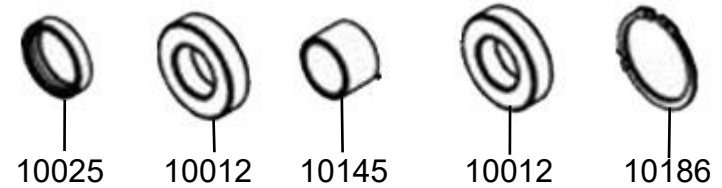
10028	1	Backing Plate 0.8mm SUS	10272	1	M10 Ball Plunger
10032	2	Nylon Resistance Adjuster O Ring 12x9x1.5	10280	1	Lever Base incl. Potentiometer, #13322 Gear #10287 & Nut #10288
10033	4	Washer 10x4.2x1 SUS	10281	1	Gear M1T48
10034	4	Nut M4 SUS	10374	1	Adjuster Knob - Blue
10035	4	Hex Bolt M4 SUS	11027	1	Adjuster Handle Shaft
10036	12	Flat Tapping Screw M3x20 SUS	13030	1	Adjuster PP Tank Ring 358x10
10213	1	Counter Sunk Screw M3x25 - SUS	13245	1	PC Tank Cover with Decal #15006 & Triangle plate #13046 & Bolts #65992 - Gray
10214	1	Adjuster Knob Cap	23925	1	Grub Screw M6x10
10217	1	Locating Plate	53959	2	Counter Sunk Bolt M3x8 - SUS
10218	1	Adjuster Handle & M10 Ball Plunger	65693	2	Dome Head Bolt M5x15 - B

A153 Flywheel Assembly 620,720,820,920



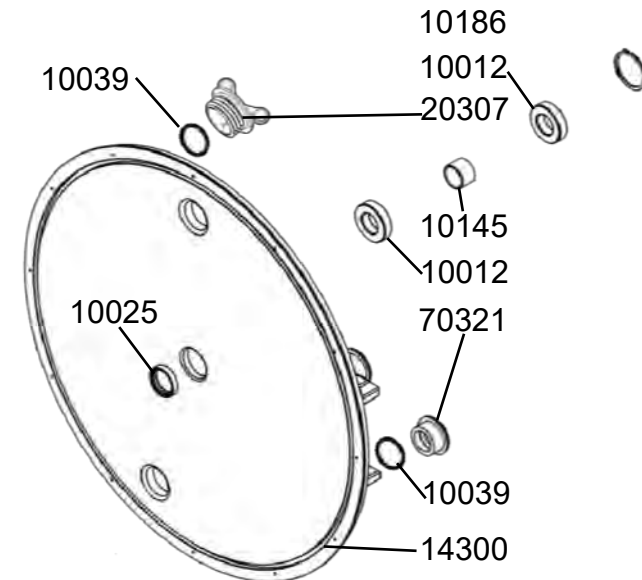
10033	18	Washer 10x4.2x1 SUS
10034	18	Nut M4 SUS
10035	18	Hex Bolt M4 SUS
10047	9	Impeller Blade
60147	1	O Ring 9.5x6.5x1.5
71312	1	Flywheel 620/720/820/920
71313	1	Impeller Shaft 620/720/820/920
71314	1	Hexagon Screws M8x20mm SUS

A012 Tank Bearing & Seal Kit



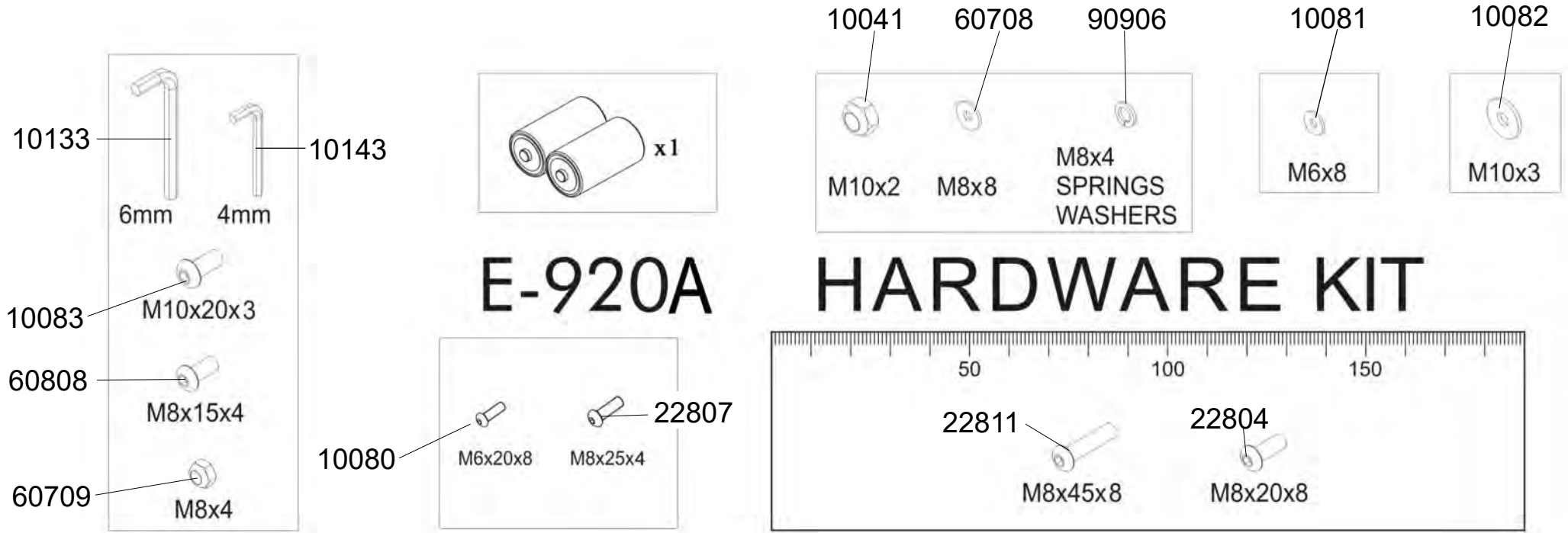
10012	2	Bearing NSK6005ZZ
10025	1	Seal NBR 37x30x8t for Flywheel Shaft
10145	1	Bearing Spacer 30x25.1x20.5mm
10186	1	C Clip RTW-48

A501 Tank Back Kit - Black



10012	2	Bearing NSK6005ZZ
10025	1	Seal NBR 37x30x8t for Flywheel Shaft
10145	1	Bearing Spacer 30x25.1x20.5mm
10186	1	C Clip RTW-48
14300	1	Tank Back
20307	1	Butterfly Tank Plug Black with Flat O-Ring #10039
70321	1	Tank Plug Black with O-Ring #10039

H920A - Hardware Kit



10041	2	Nyloc Nut M10
10080	8	Dome Head Bolt M6x20
10081	8	Washer M6x16x1
10082	3	Washer M10x21x2
10083	3	Dome Head Bolt M10x20
10133	1	Allen Key 6mm
10143	1	Allen Key 4mm
10208	1	D Cell Duracell Battery
22804	8	Dome Head Bolt M8x20
22807	4	Dome Head Bolt M8x25 SUS
22811	8	Dome Head Bolt M8x45
60708	8	Washer M8x19x1.6
60709	4	Nyloc Nut M8
60808	4	Dome Head Bolt M8x15
90906	4	Spring Washer M8