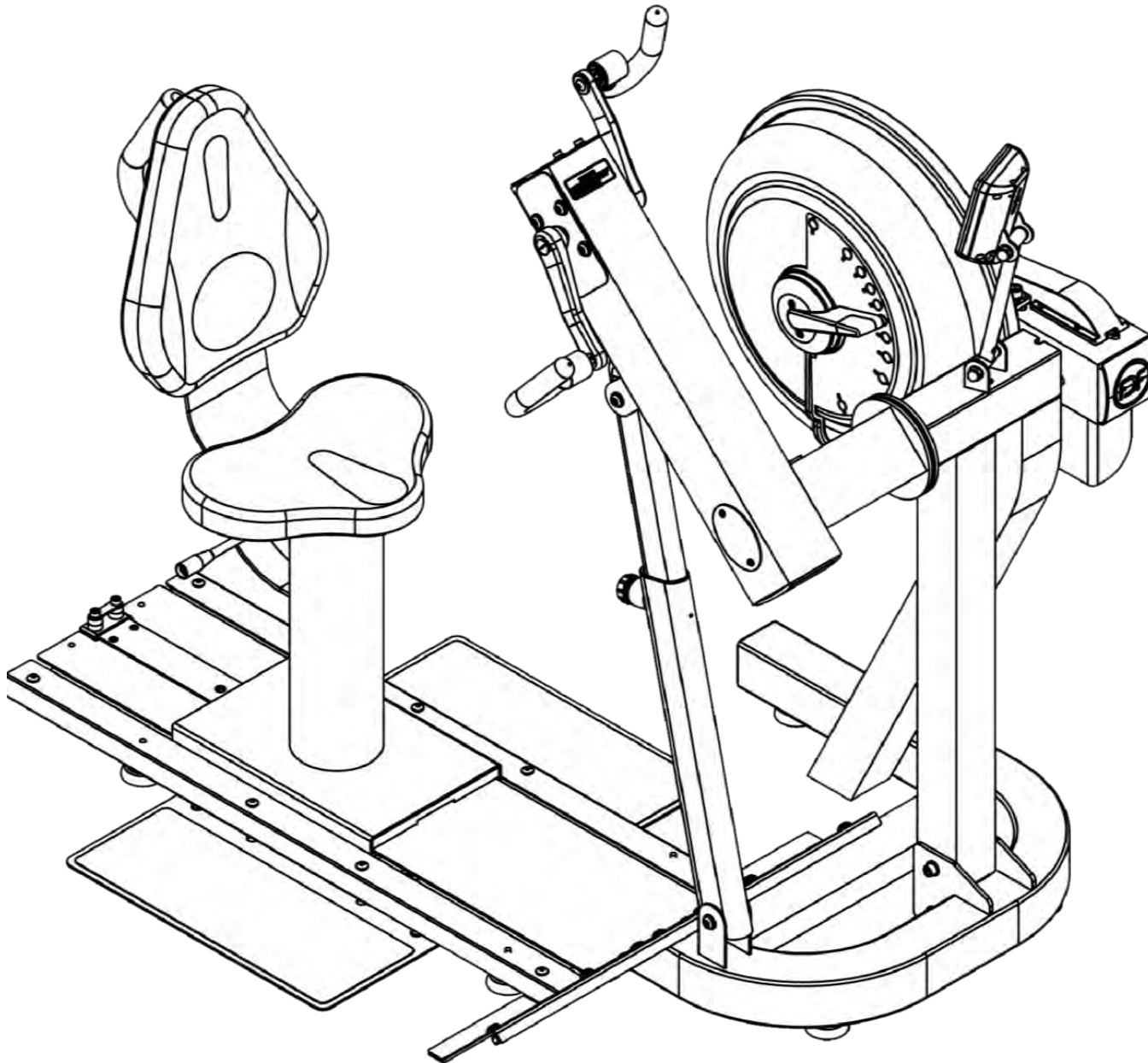


# E850



## Exploded Diagrams



A219

Crank Arm Assembly

Control Arm Assembly

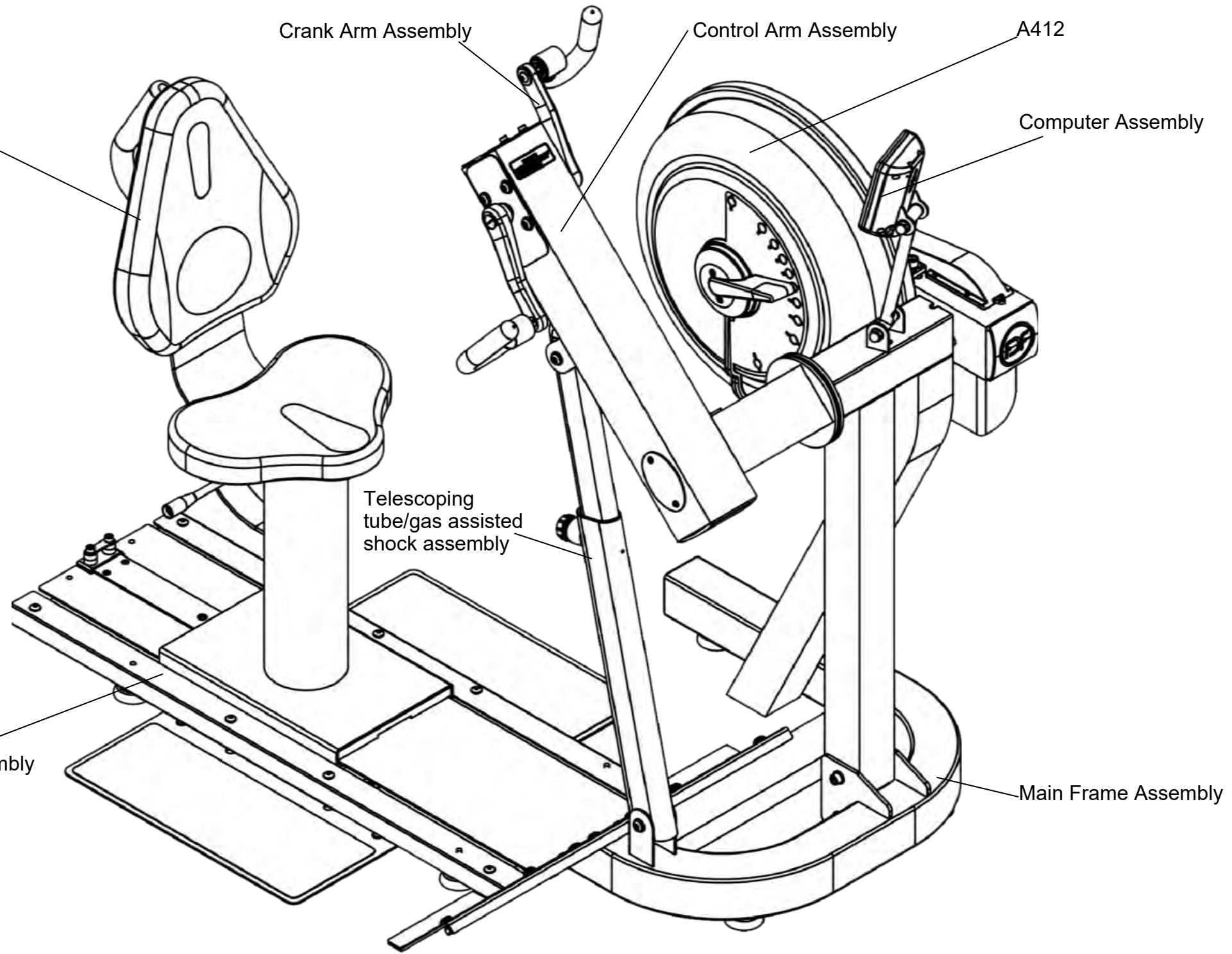
A412

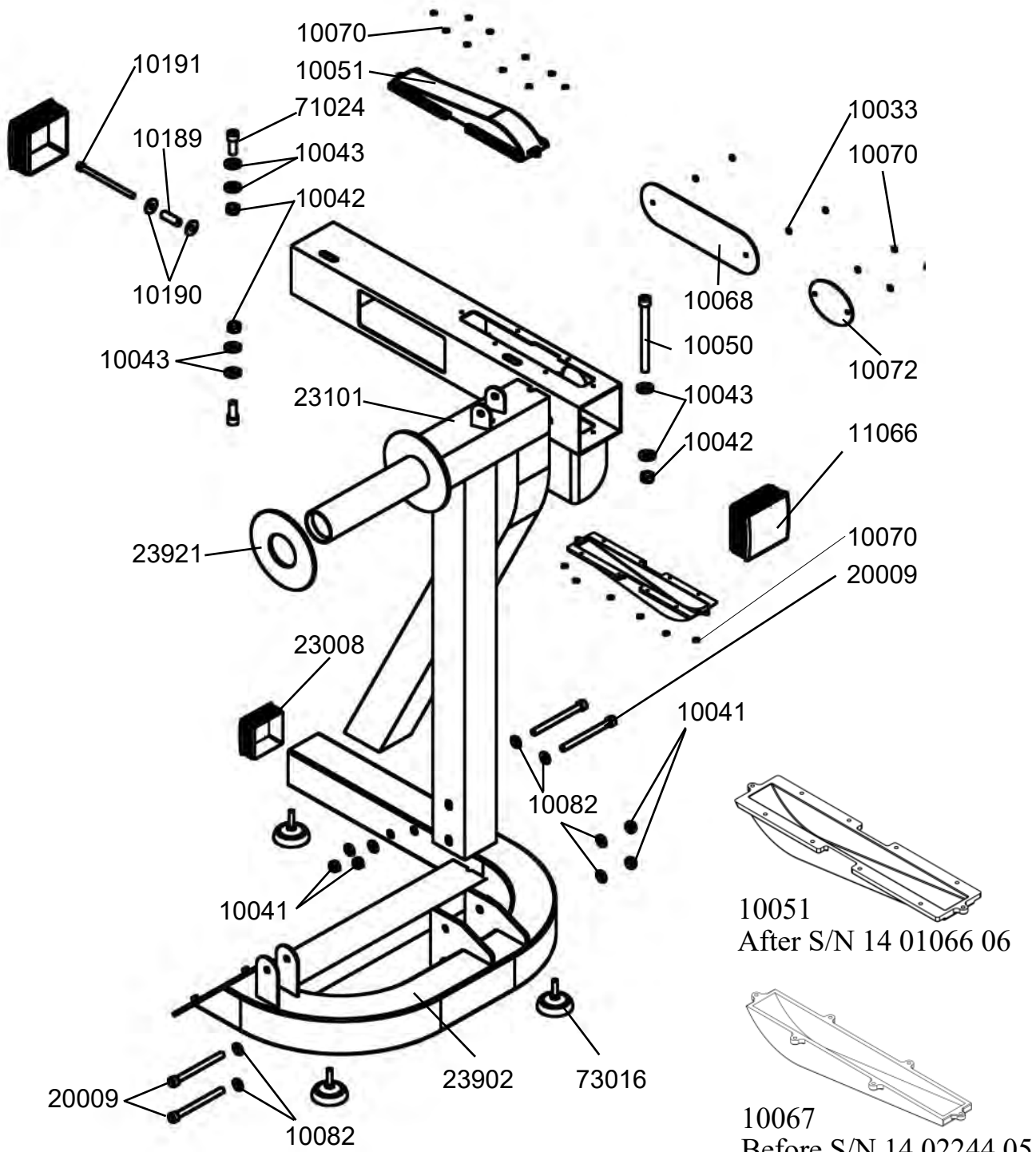
Computer Assembly

Telescoping  
tube/gas assisted  
shock assembly

Baseplate Assembly  
- E820

Main Frame Assembly

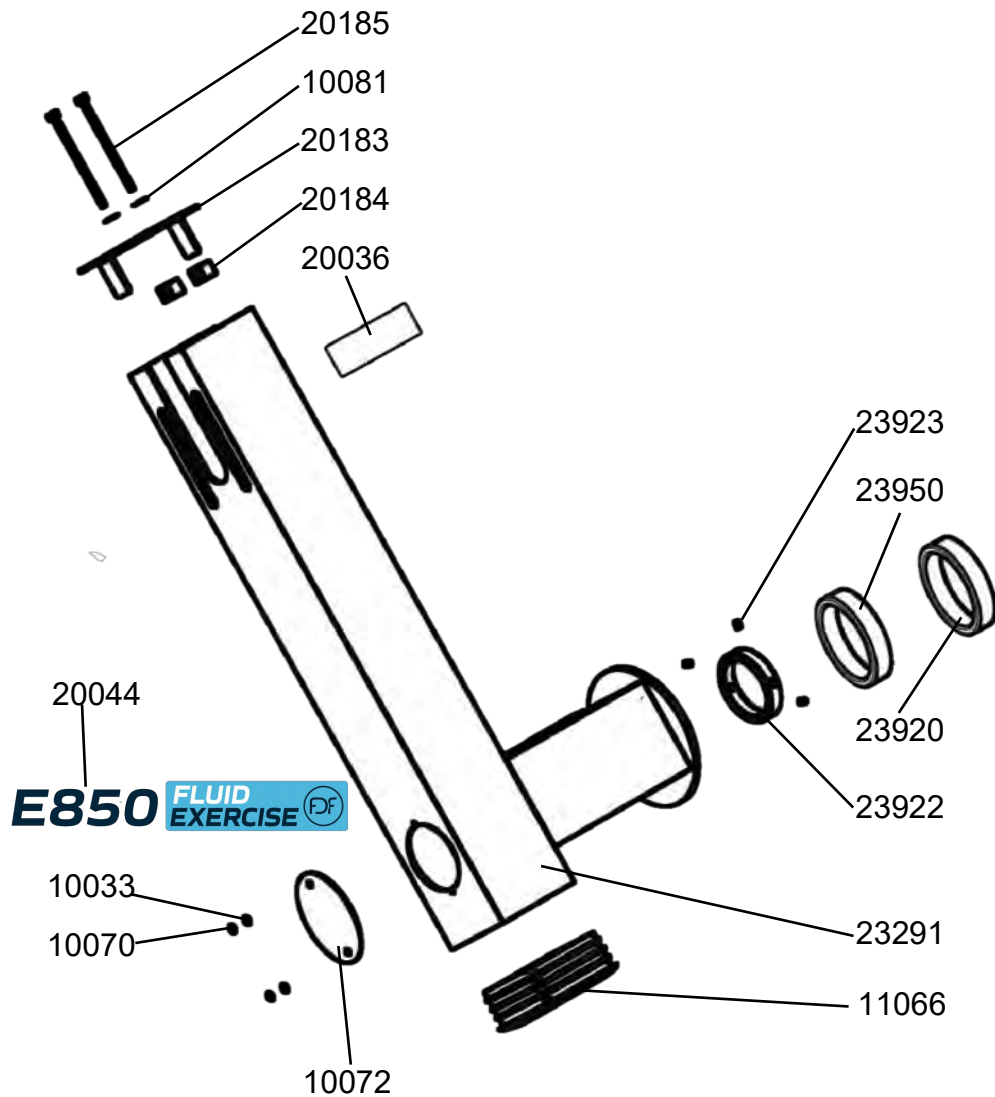




## Main Frame Assembly

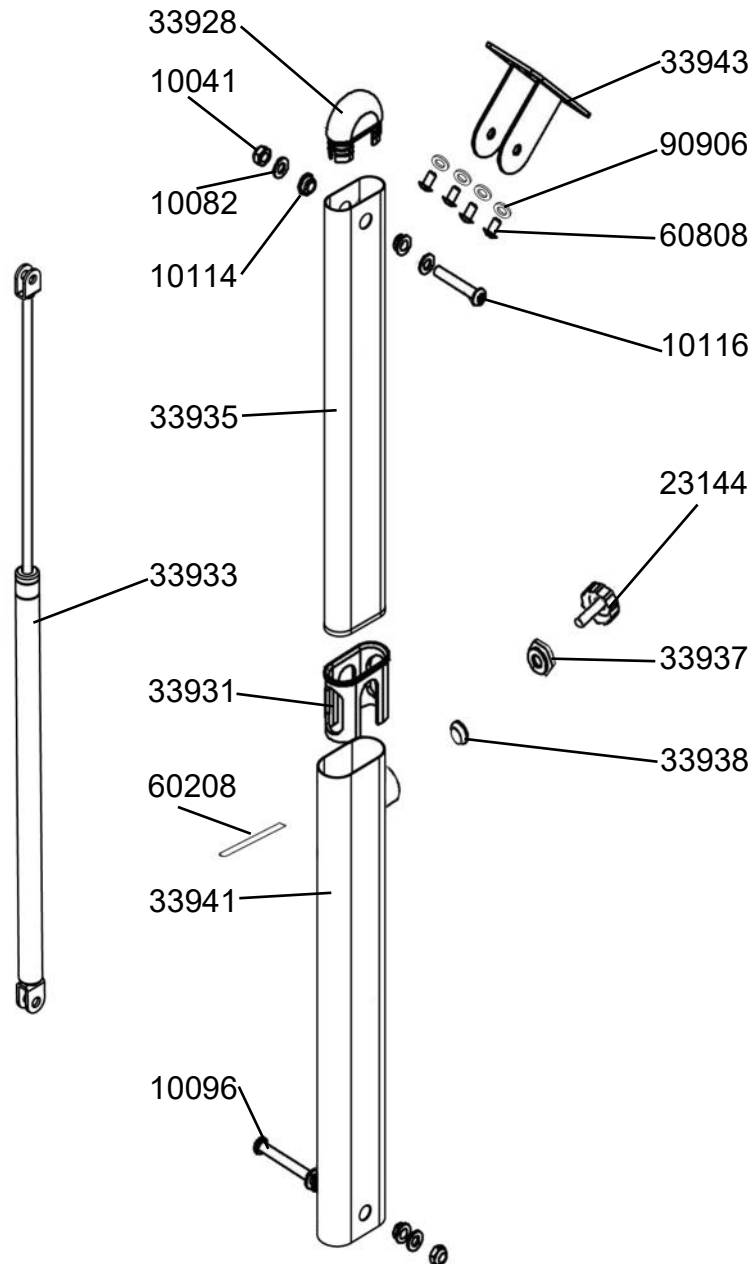
10033	4	Washer 10x4.2x1 SUS
10041	4	Nyloc Nut M10
10042	3	Nyloc Nut M12
10043	6	Washer M13x24x2t
10051	2	Rubber Cover for Large PK Pulley
10050	1	Hex Head Bolt M12x150
10068	1	Large Steel Side Cover 276mm
10070	24	Round Head Phillips Screw M4x10
10072	1	Small Steel Side Cover 100mm
10082	8	Washer M10x21x2
10189	1	Tank Tension Adjustment Bushing
10190	2	Washer M8x26x2
10191	1	Hex Head Bolt M8x120
11066	2	End Cap 100x100mm
20009	4	Hex Head Bolt M10x100
23008	1	End Cap 75x75 Rubber
23101	1	Main Frame - E820A/E920A
23902	1	Lower Main Frame - UBE E820A/E920A
23921	1	Control Arm Spacer 150x5.0
71024	2	Hex Head Bolt M12x35
73016	3	Foot Leveler M8x30 PVC

# Control Arm Assembly



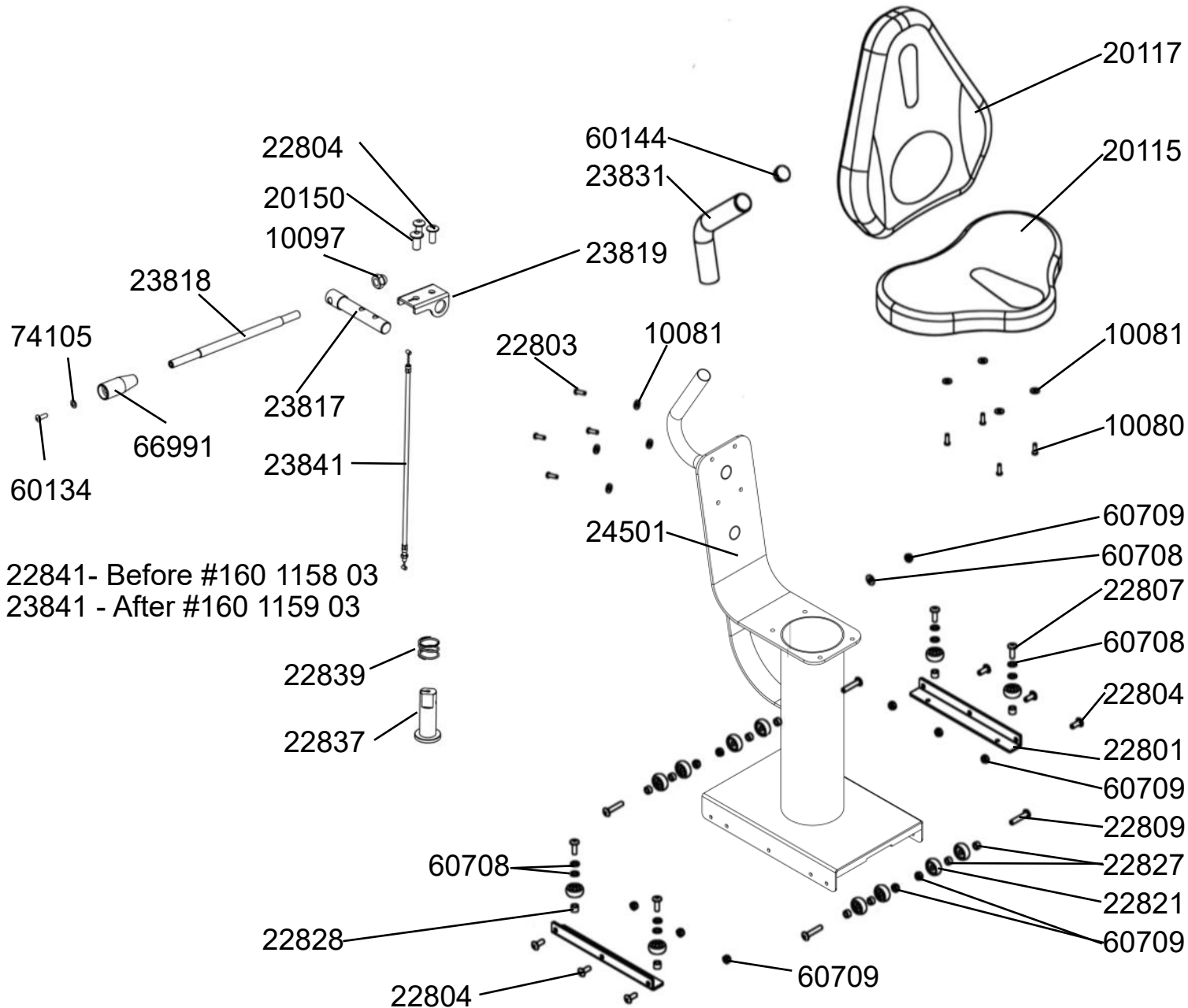
10033	2	Washer 10x4.2x1 SUS
10070	2	Round Head Phillips Screw M4x10
10072	1	Small Steel Side Cover 100mm
10081	2	Washer M6x16x1
11066	1	End Cap 100x100mm
20036	1	Small Warning Decal
20044	1	Decal - E850 Fluid Exercise
20183	1	Adjuster Cover 100x100x3
20184	2	Square Adjuster Nut
20185	2	Dome Head Bolt M6x100
23291	1	Control Arm Complete E820/E920
23920	1	Control Arm Bushing - Inner 71.7x60.2x20
23922	1	Control Arm Locking Collar E820/E920
23923	3	Grub Screw M6x8
23950	1	Control Arm Bushing - Outer 71.9x60.2x20

# Telescoping tube/gas assisted shock assembly



10041	2	Nyloc Nut M10
10082	4	Washer M10x21x2
10096	1	Dome Head Bolt M10x70
10114	4	Plastic Bushing 20x16x13x10
10116	1	Dome Head Bolt M10x60
23144	1	Handle Lock Knob M10x32 - Yellow
33928	1	Internal Tube End Cap
33931	1	Telescoping Tube Plastic Sleeve
33933	1	Hydraulic Shock
33935	1	Telescoping Tube (Internal Scribed)
33937	1	Flange Nut M25
33938	1	Copper Locating Bushing
33941	1	Telescoping Tube External
33943	1	Telescoping Bracket
60208	1	Transport Wheel Fastener
60808	4	Dome Head Bolt M8x15
90906	4	Spring Washer M8

# A219 Complete Seat Assembly

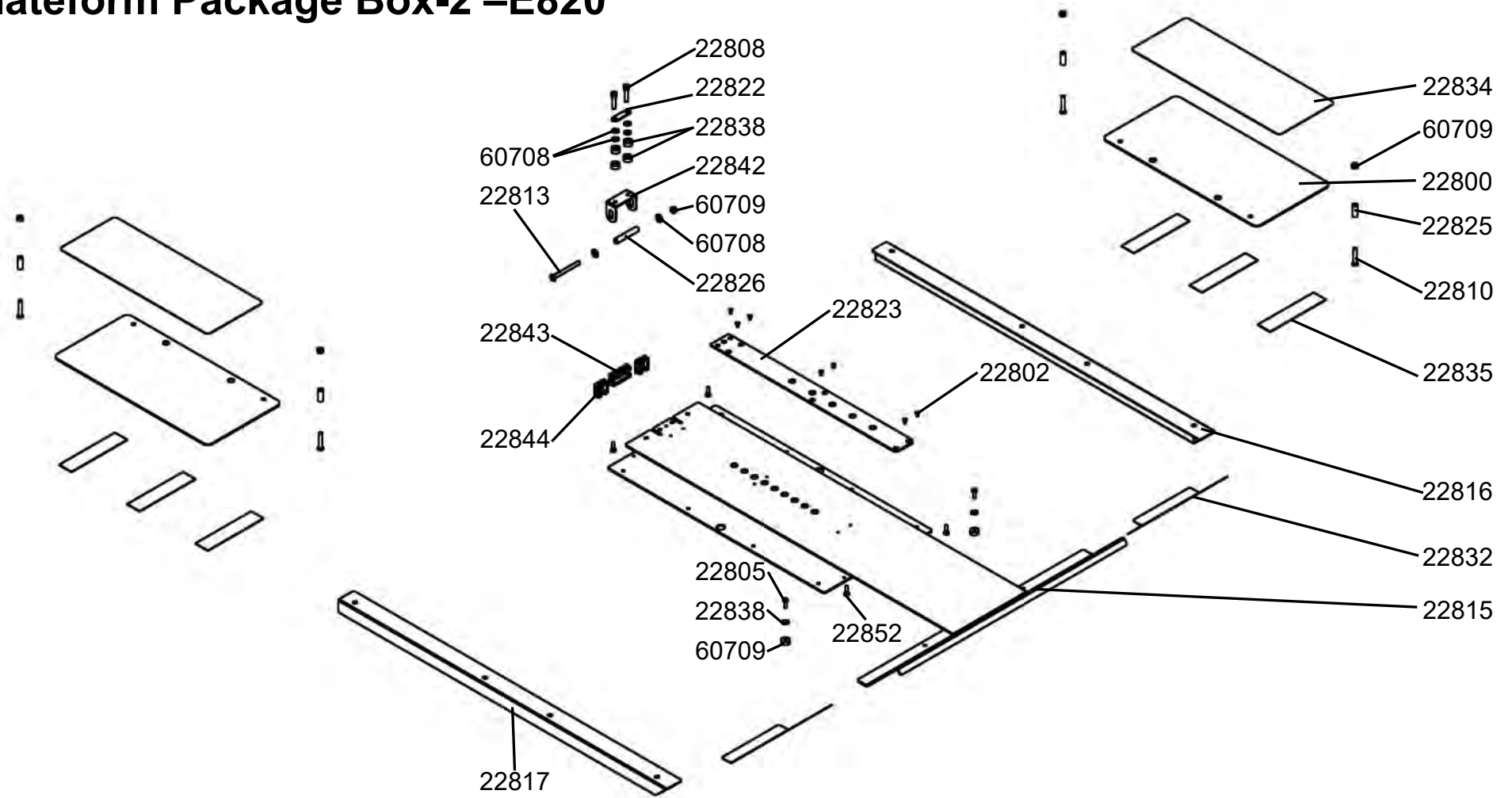


22841- Before #160 1158 03  
 23841 - After #160 1159 03

10080	8	Dome Head Bolt M6x20
10081	8	Washer M6x16x1
10097	1	Nut Dome Head M10
20115	1	Seat LS-622
20117	1	Seat Back LS-622
20150	1	Dome Head Bolt M10x15
22801	2	L Bracket For 820/920 Seat Base
22804	8	Dome Head Bolt M8x20
22807	4	Dome Head Bolt M8x25
22809	4	Dome Head Bolt M8x40
22821	12	PU Wheel for Seat
22827	8	Bushing 12.7x8.1x7
22828	4	Bushing 12.7x8.1x10
22837	1	Positioning Pin
22839	1	Spring 26x20x3.5
23817	1	Handle Shaft for Seat Lifting Pin
23818	1	Handle for Seat
23819	1	Bracket for Lifting Pin
23831	1	Handle Grip 28.6x330 820/920
23841	1	Tension Cable 1.5x330mm for Lifting Pin
24501	1	Seat Frame for 820/920
60134	1	Tank Internal Screw M5x15
60144	1	Rower Handle End Inserts 28.6mm
60708	9	Washer M8x19x1.6
60709	11	Nyloc Nut M8
66991	1	Handle Cap
74105	1	Washer M5 SUS



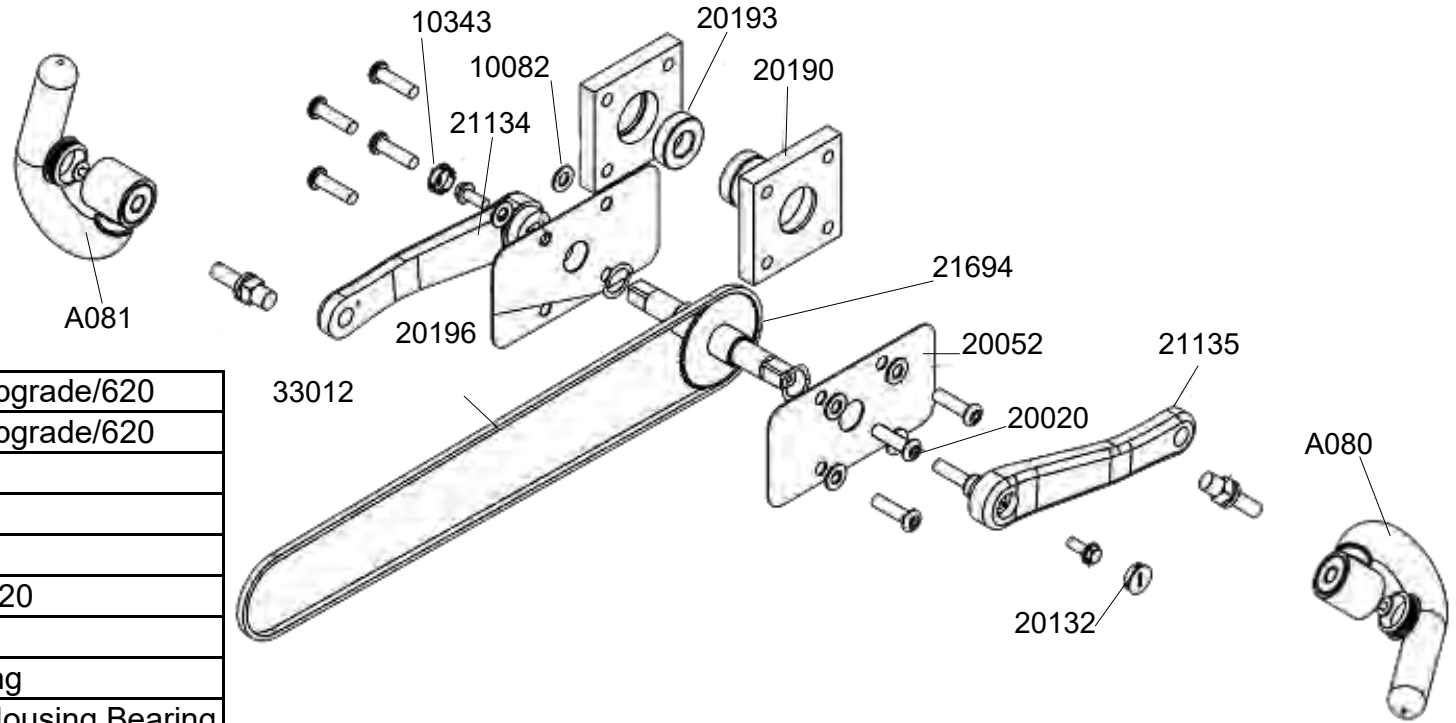
# A118 Platform Package Box-2 -E820



22800	2	Footplate for E820	22817	1	Channel - Right	22838	6	Spacer - Rubber
22802	7	Counter Sunk Bolt M5x10 SUS	22822	1	Bracket for Seat Base Pop Pin	22842	1	U Bracket
22805	2	Hex Bolt M8x20	22823	1	Locking Plate	22843	1	End Cap 30x60
22808	2	Hex Head Bolt M8x30 SUS	22825	4	Bushing 12x8.1x30	22844	2	End Cap 34x34
22810	4	Counter Sunk Bolt M8x45	22826	1	Bushing 12.7x8.1x69	22852	4	Hex Head Bolt M5x10 - B
22813	1	Hex Head Bolt M8x90 SUS	22832	2	Non-Skid for Foot Rest 820	60708	6	Washer M8x19x1.6
22815	1	T Track	22834	2	Non-Skid for Footplate 820	60709	7	Nyloc Nut M8
22816	1	Channel - Left	22835	6	Non-Skid for Bottom Footplate 820			



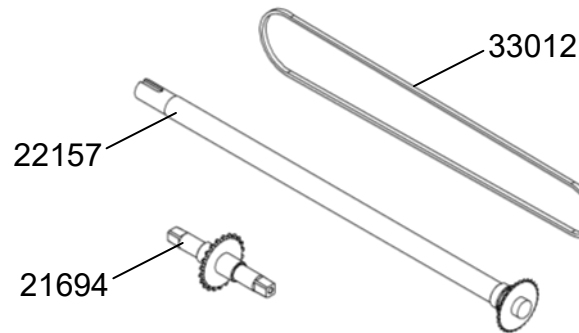
# E820 Crank Arm Assembly



A080	1	Handle Complete - Right 820 Upgrade/620
A081	1	Handle Complete - Left E820 Upgrade/620
10082	8	Washer M10x21x2
10343	2	End Cap for Crank
20020	8	Dome Head Bolt M10x35
20052	2	Side Bearing Cover E620/720/820
20132	2	French Screw M8x20xP1.0
20190	2	Aluminum Block Bearing Housing
20193	2	NSK 6004ZZ Aluminum Block Housing Bearing
20196	2	Wave Washer M20
21134	1	Crank-Left for E820
21135	1	Crank-Right for E820
21694	1	Axle & Cog E820/UBE for CHC-35
33012	1	Chain 118 for CHC-35 <b>After S/N 15 01302 06</b>

## A107 E820 Chain Upgrade Kit

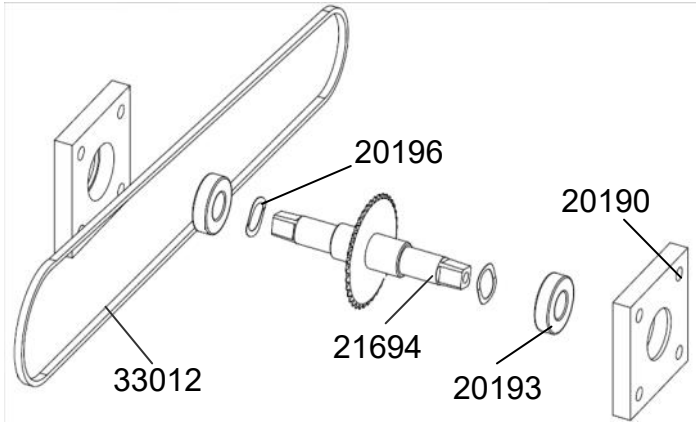
This kit applies to all UBE & E820 before serial number 15 01754 06.



21694	1	Axle & Cog E820/UBE for
22157	1	Shaft and Sprocket 820/920
33012	1	Chain 118 for CHC-35

# A173 Rotating Arm Internal Components UBE/E820 for CHC35

Applied After S/N 15 01302 06 Onwards

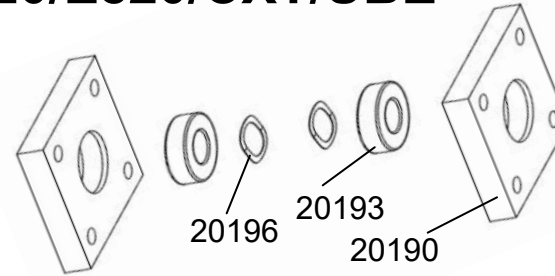


20190	2	Aluminum Block Bearing Housing
20193	2	NSK 6004ZZ Aluminum Block Housing Bearing
20196	2	Wave Washer M20
21694	1	Axle & Cog E820/UBE for CHC-35
33012	1	Chain 118 For CHC-35

# A025 Rotating Arm Internal Components E720/E820/CXT/UBE

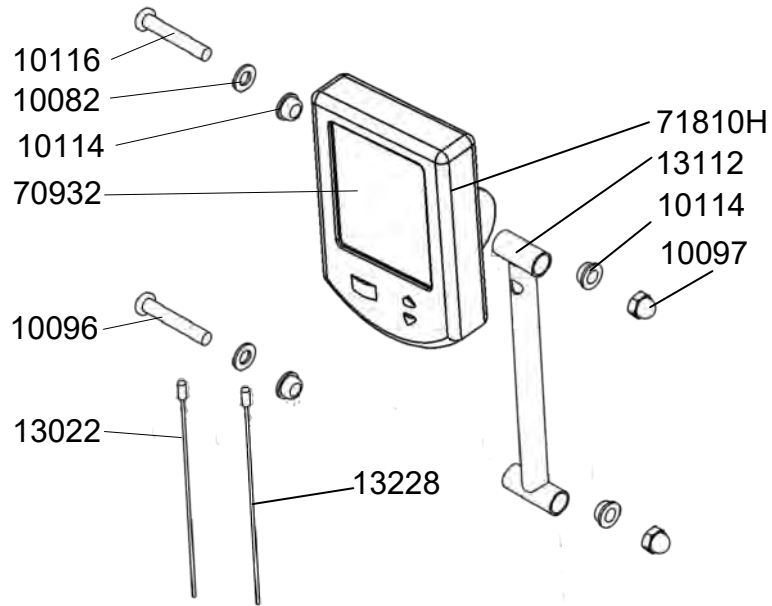
Use the A025 kit in the event of a bearing failure in the crank housing assembly where no other parts are affected.

20190	2	Aluminum Block Bearing Housing
20193	2	NSK 6004ZZ Aluminum Block Housing Bearing
20196	2	Wave Washer M20



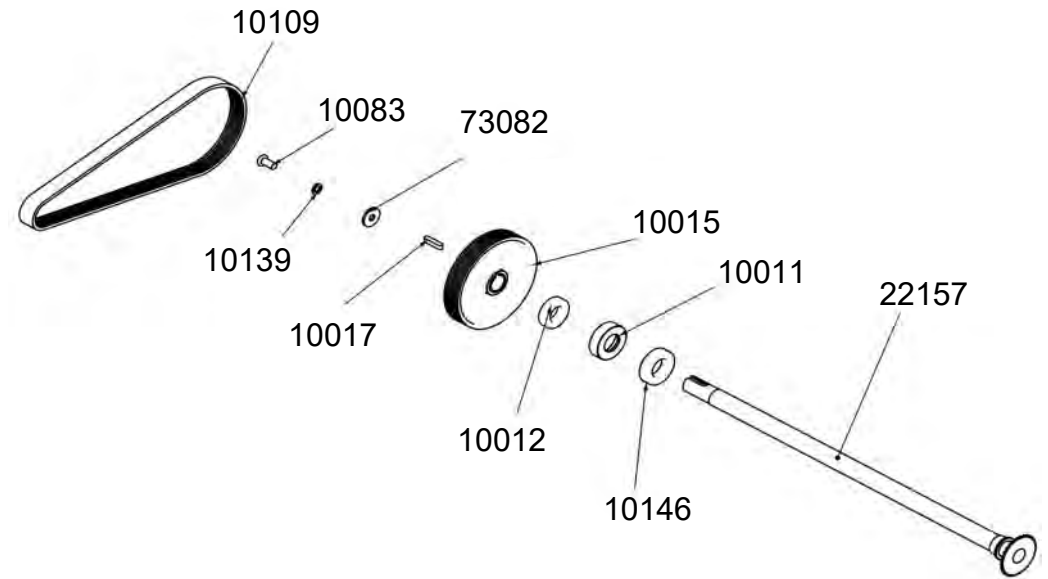
**This kit applies to the following products:**  
 UBE  
 Cycle XT  
 E-720  
 E-820

## Computer Assembly



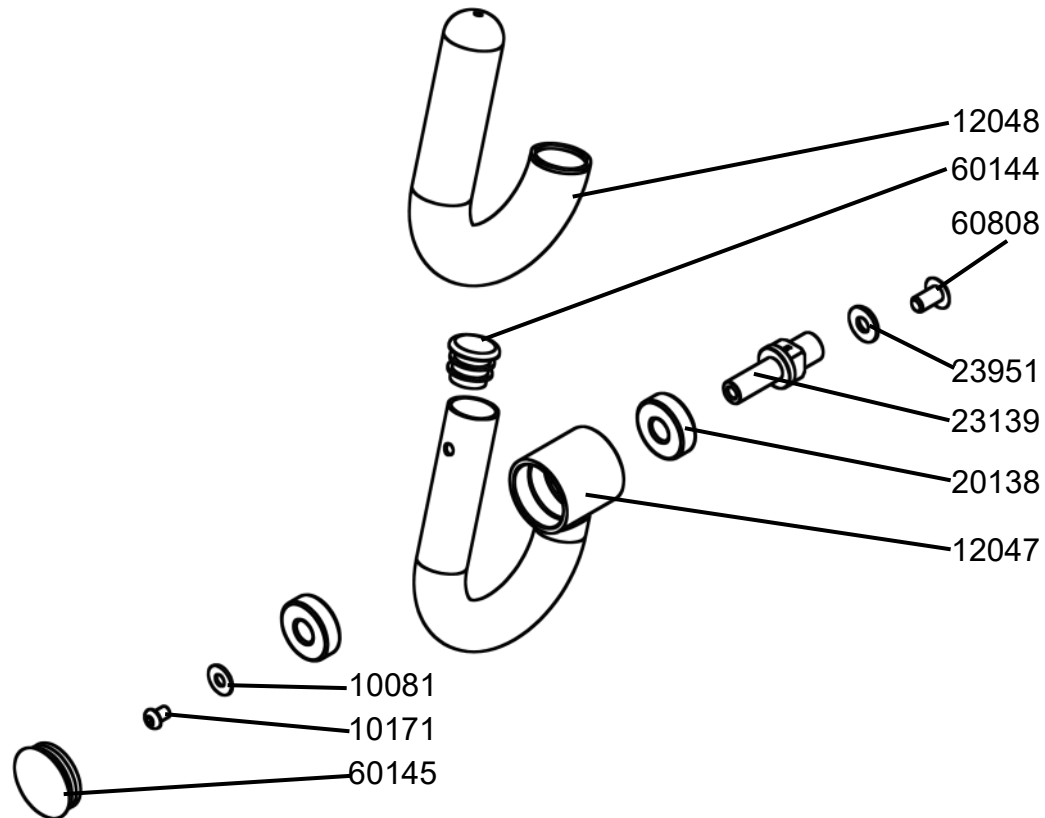
10082	2	Washer M10x21x2
10096	1	Dome Head Bolt M10x70
10097	2	Nut Dome Head M10
10114	4	Plastic Bushing 20x16x13x10
13022	1	Computer Wiring 800mm
10116	1	Dome Head Bolt M10x60
13112	1	Computer Mounting Arm
13228	1	Level Wiring 1200mm
70932	1	LCD for Auto Level
71810H	1	Bluetooth Auto-Adjust Monitor - E850

## Main Drive Assembly



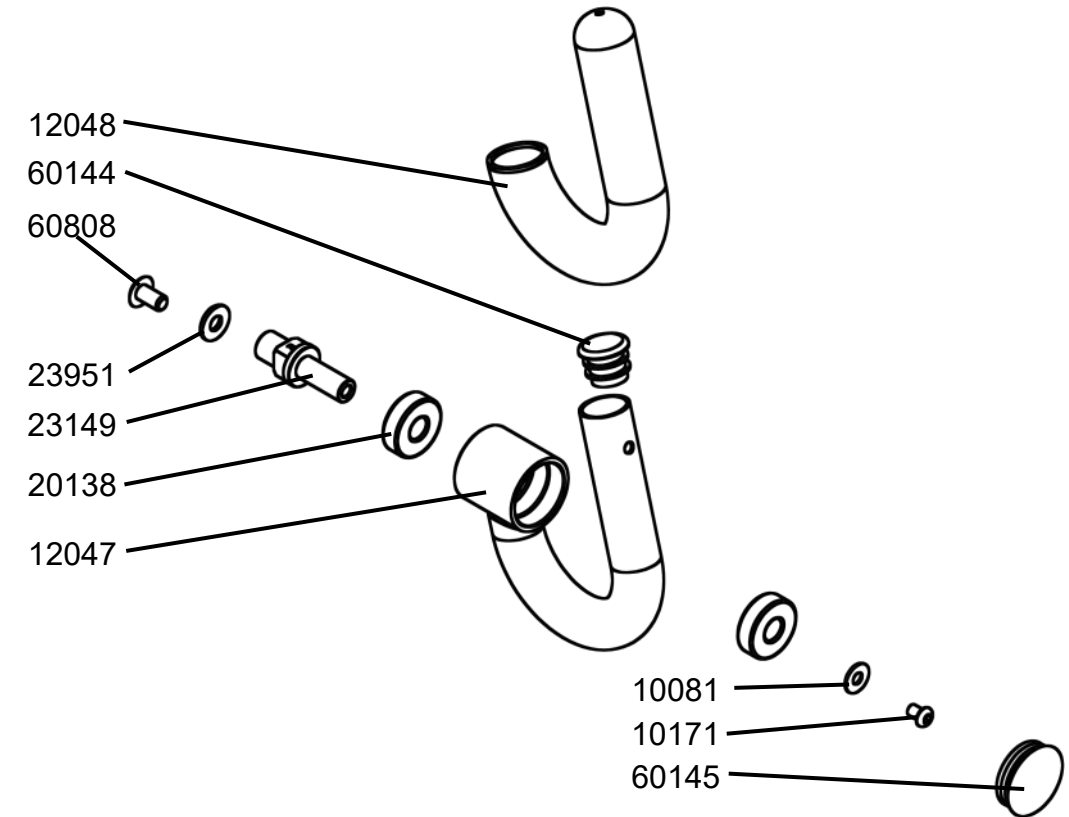
10011	1	Bearing Housing on Pulley Shaft
10012	1	Bearing NSK6005ZZ
10015	1	Large PK Transmission Pulley 150mm
10017	1	Key Way 7x7x32
10083	1	Dome Head Bolt M10x20
10109	1	PK Belt 7 Rib 926mm Hutchinson
10139	1	Spring Washer M10
10146	1	Ball Bearing NSK6006ZZ
22157	1	Shaft and Sprocket 820/920 for CHC-35
73082	1	Washer 30x10.2x3t SUS

## A081 Handle Complete - Left E820 Upgrade/620



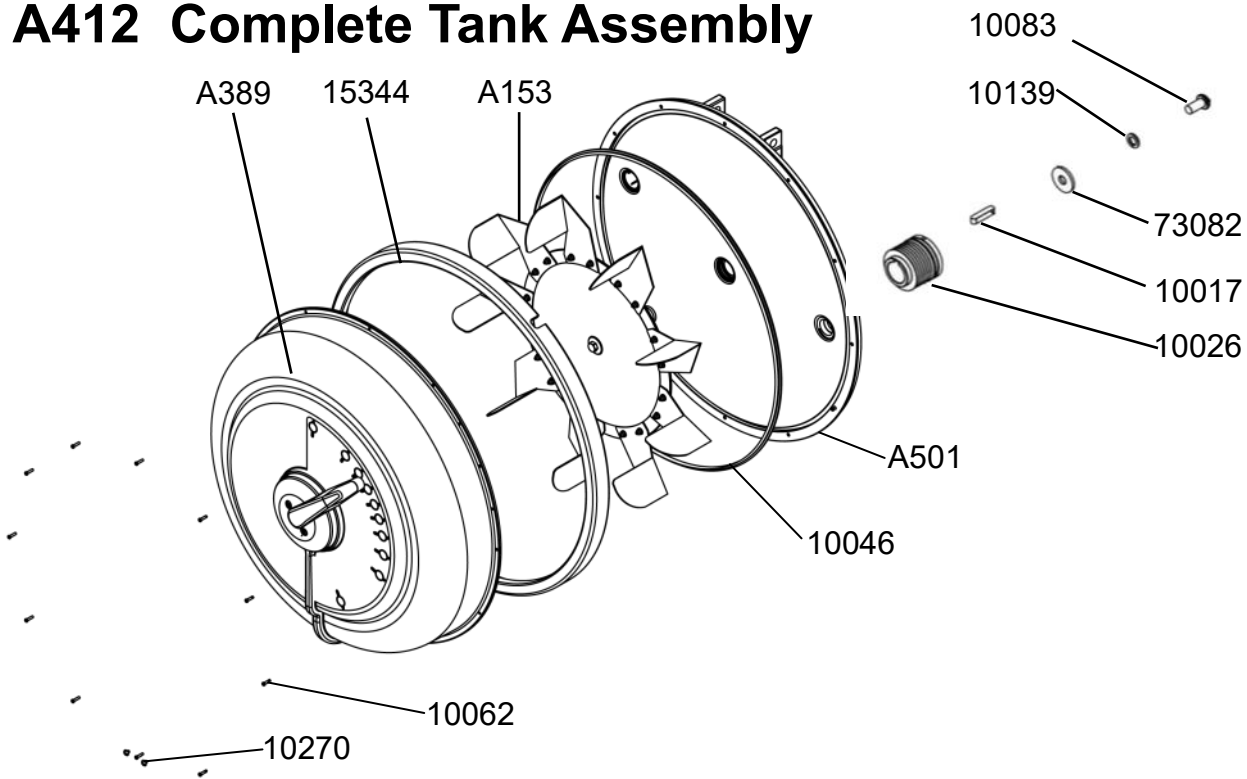
10081	1	Washer M6x16x1
10171	1	Dome Head Bolt M6x8
12047	1	Handle - E620/820
12048	1	Handle Grip E620/820
20138	2	Bearing NSK6201ZZ
23139	1	Handle Shaft with Bolt-Left
23951	1	Washer M15x28x2.5t
60144	1	Rower Handle End Inserts 28.6mm
60145	1	Frame Plug 38.1mm
60808	1	Dome Head Bolt M8x15

## A080 Handle Complete - Right E820 Upgrade/620



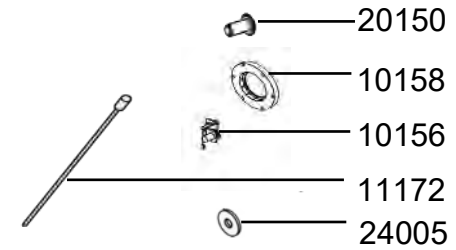
10081	1	Washer M6x16x1
10171	1	Dome Head Bolt M6x8
12047	1	Handle - E620/820
12048	1	Handle Grip E620/820
20138	2	Bearing NSK6201ZZ
23149	1	Handle Shaft with Bolt-Right
23951	1	Washer M15x28x2.5t
60144	1	Rower Handle End Inserts 28.6mm
60145	1	Frame Plug 38.1mm
60808	1	Dome Head Bolt M8x15

## A412 Complete Tank Assembly



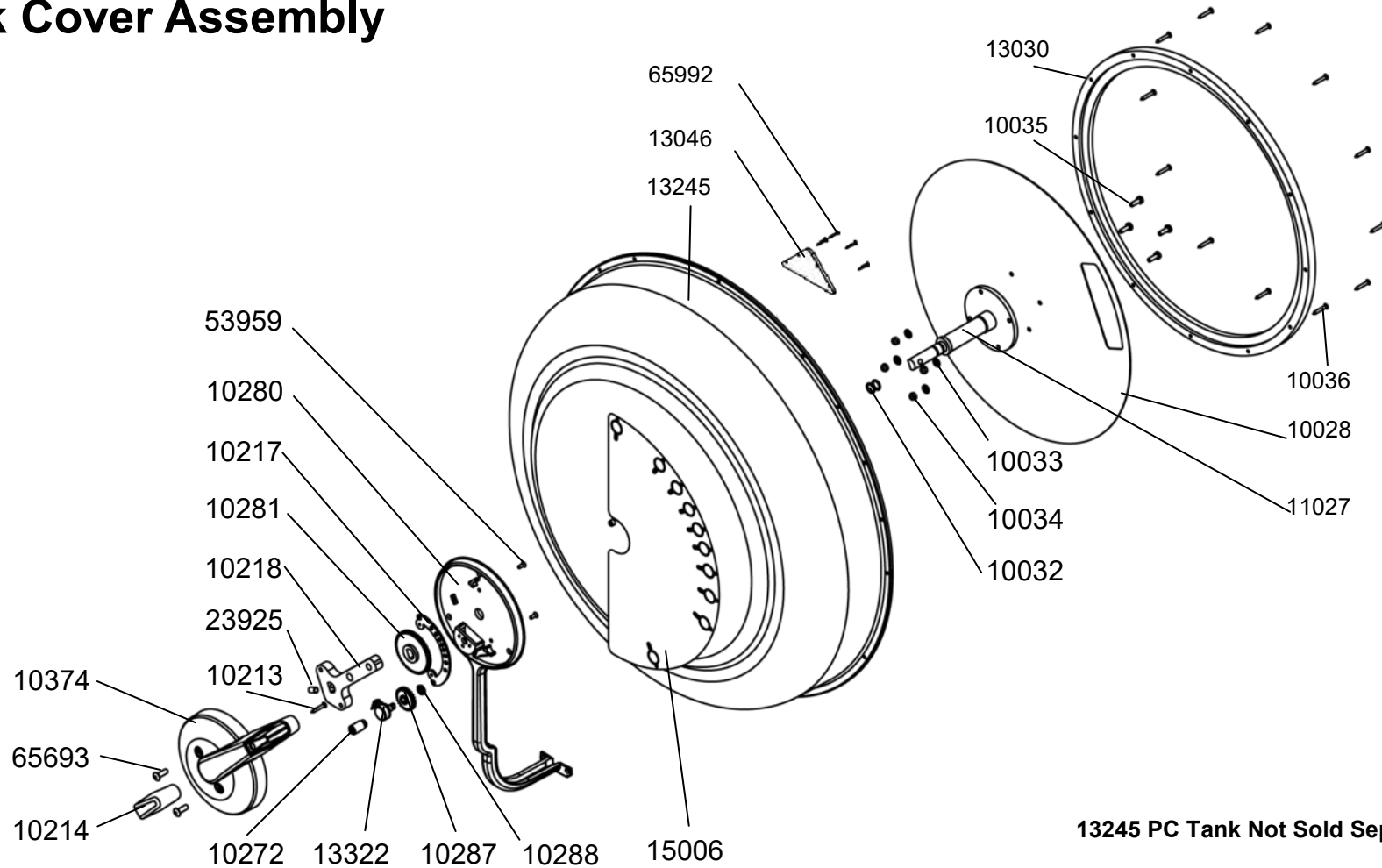
A153	1	Flywheel Assembly
A389	1	Tank Cover Assembly
A501	1	Tank Back Kit - Black
10017	1	Key Way 7x7x32
10026	1	Small 5PK Transmission Pulley 50mm
10046	1	Tank Large Seal
10062	12	Round Head Phillips Screw M3x12 SUS
10083	1	Dome Head Bolt M10x20
10139	1	Spring Washer M10
10270	2	Round Head Phillips Screw M4x10
15344	1	Tank Outer Cover Ring - Black
73082	1	Washer 30*10.2*3t SUS

## A206 Sensor Kit



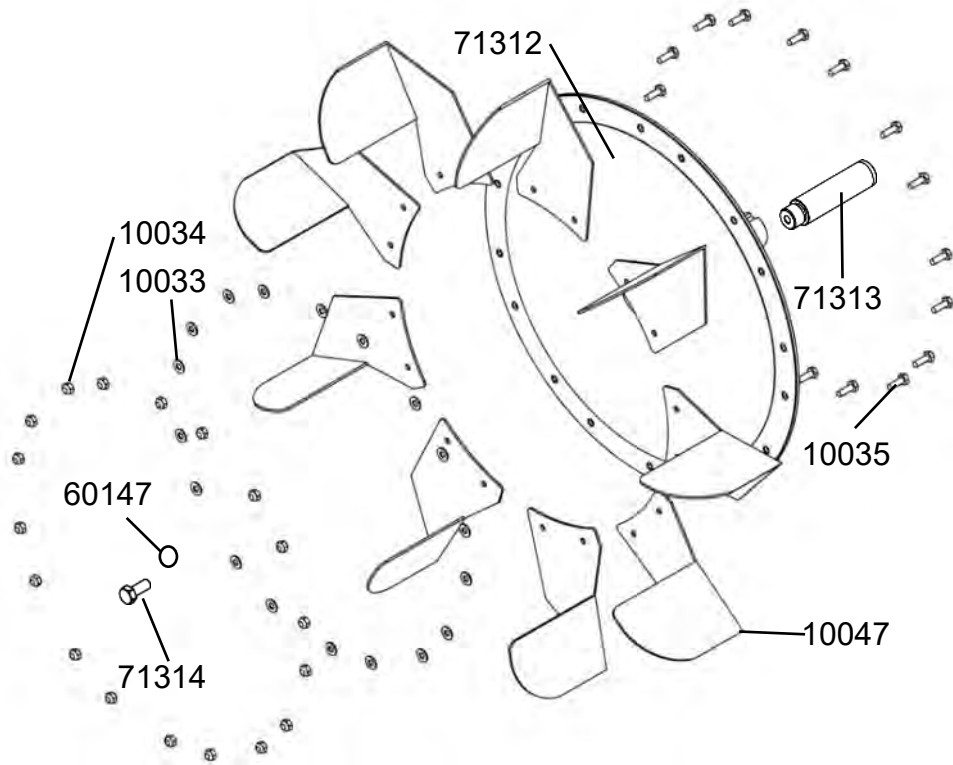
10156	1	Sensor Bracket
10158	1	Magnetic Ring & 6x Rare Earth Magnet
11172	1	Sensor 100mm
20150	1	Dome Head Bolt M10x15
24005	1	Washer M11x22x1t SUS

# A389 Tank Cover Assembly



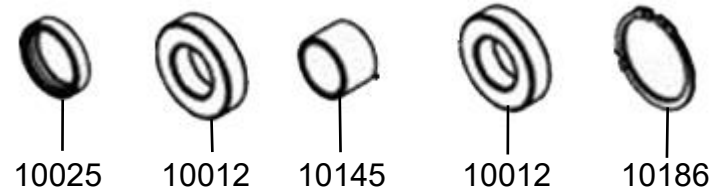
10028	1	Backing Plate 0.8mm SUS	10272	1	M10 Ball Plunger
10032	2	Nylon Resistance Adjuster O Ring 12x9x1.5	10280	1	Lever Base incl. Potentiometer, #13322 Gear #10287 & Nut #10288
10033	4	Washer 10x4.2x1 SUS	10281	1	Gear M1T48
10034	4	Nut M4 SUS	10374	1	Adjuster Knob - Blue
10035	4	Hex Bolt M4 SUS	11027	1	Adjuster Handle Shaft
10036	12	Flat Tapping Screw M3x20 SUS	13030	1	Adjuster PP Tank Ring 358x10
10213	1	Counter Sunk Screw M3x25 - SUS	13245	1	PC Tank Cover with Decal #15006 & Triangle plate #13046 & Bolts #65992 - Gray
10214	1	Adjuster Knob Cap	23925	1	Grub Screw M6x10
10217	1	Locating Plate	53959	2	Counter Sunk Bolt M3x8 - SUS
10218	1	Adjuster Handle & M10 Ball Plunger	65693	2	Dome Head Bolt M5x15 - B

# A153 Flywheel Assembly 620,720,820,920



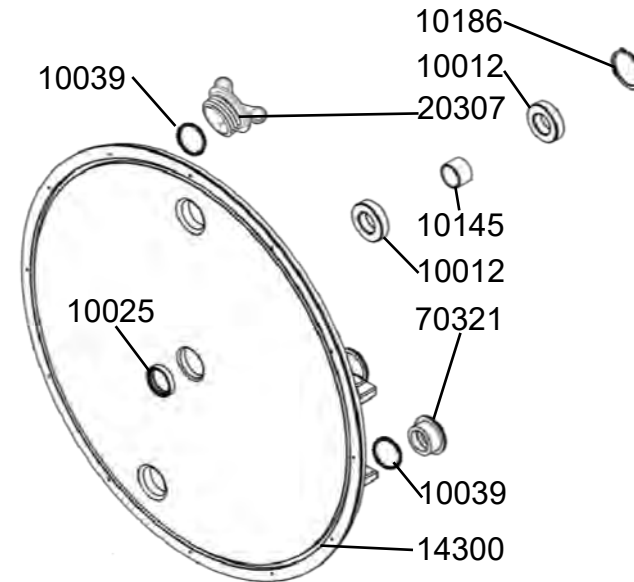
10033	18	Washer 10x4.2x1 SUS
10034	18	Nut M4 SUS
10035	18	Hex Bolt M4 SUS
10047	9	Impeller Blade
60147	1	O Ring 9.5x6.5x1.5
71312	1	Flywheel 620/720/820/920
71313	1	Impeller Shaft 620/720/820/920
71314	1	Hexagon Screws M8x20mm SUS

# A012 Tank Bearing & Seal Kit



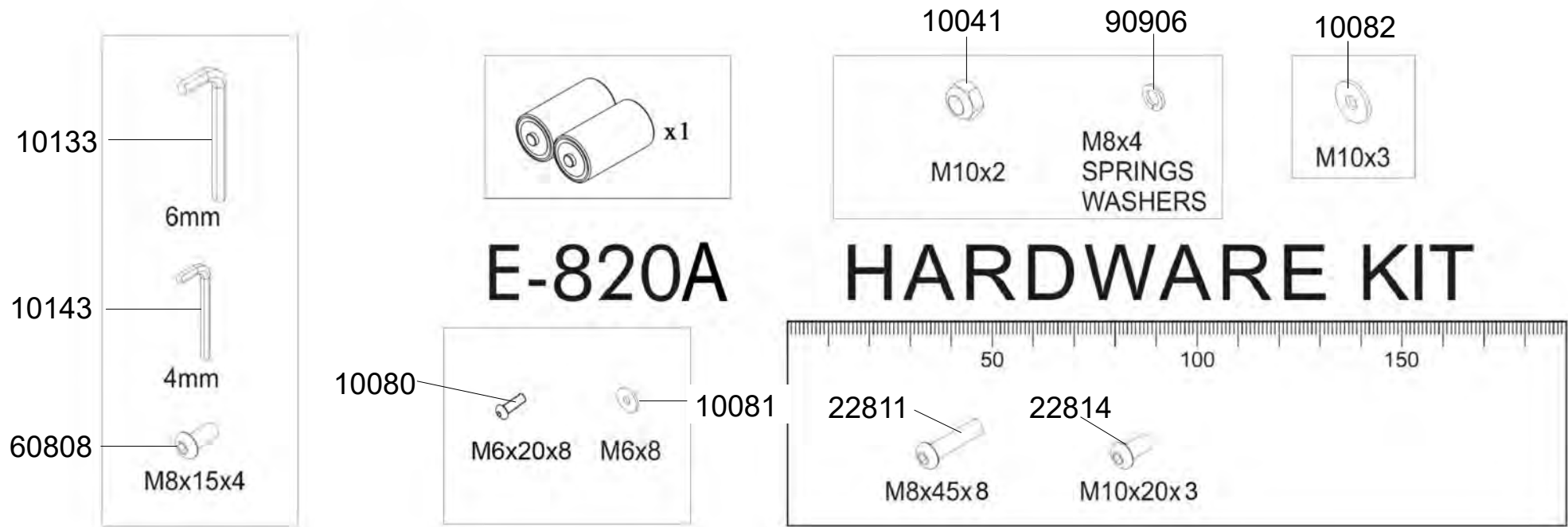
10012	2	Bearing NSK6005ZZ
10025	1	Seal NBR 37x30x8t for Flywheel Shaft
10145	1	Bearing Spacer 30x25.1x20.5mm
10186	1	C Clip RTW-48

# A501 Tank Back Kit - Black



10012	2	Bearing NSK6005ZZ
10025	1	Seal NBR 37x30x8t for Flywheel Shaft
10145	1	Bearing Spacer 30x25.1x20.5mm
10186	1	C Clip RTW-48
14300	1	Tank Back
20307	1	Butterfly Tank Plug Black with Flat O-Ring #10039
70321	1	Tank Plug Black with O-Ring #10039

# H820A - Hardware Kit



10041	2	Nyloc Nut M10
10080	8	Dome Head Bolt M6x20
10081	8	Washer M6x16x1
10082	3	Washer M10x21x2
10133	1	Allen Key 6mm
10143	1	Allen Key 4mm
10208	1	D Cell Duracell Battery
22811	8	Dome Head Bolt M8x45
22814	3	Dome Head Bolt M10x20 SUS
60808	4	Dome Head Bolt M8x15
90906	4	Spring Washer M8