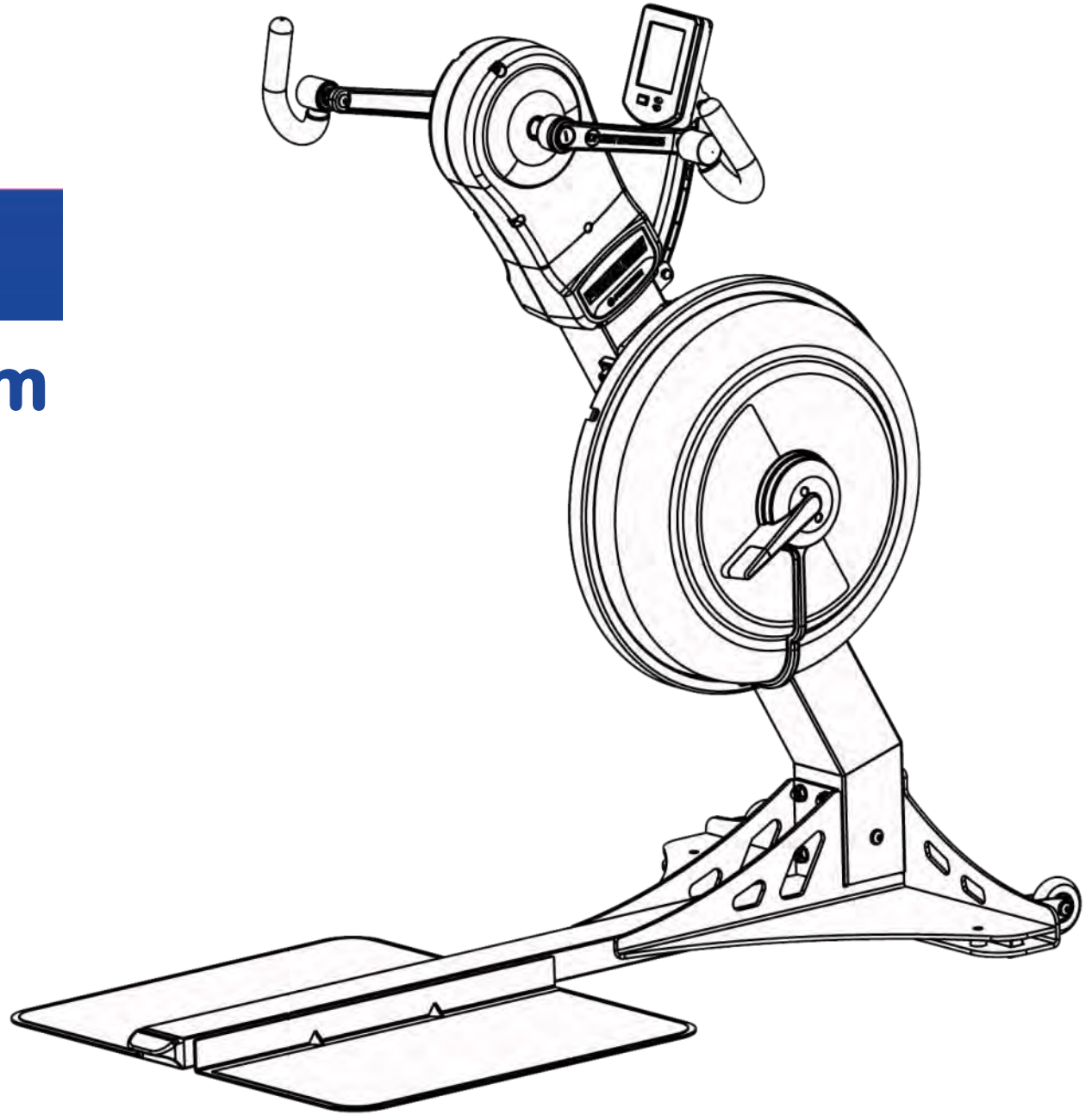


E650

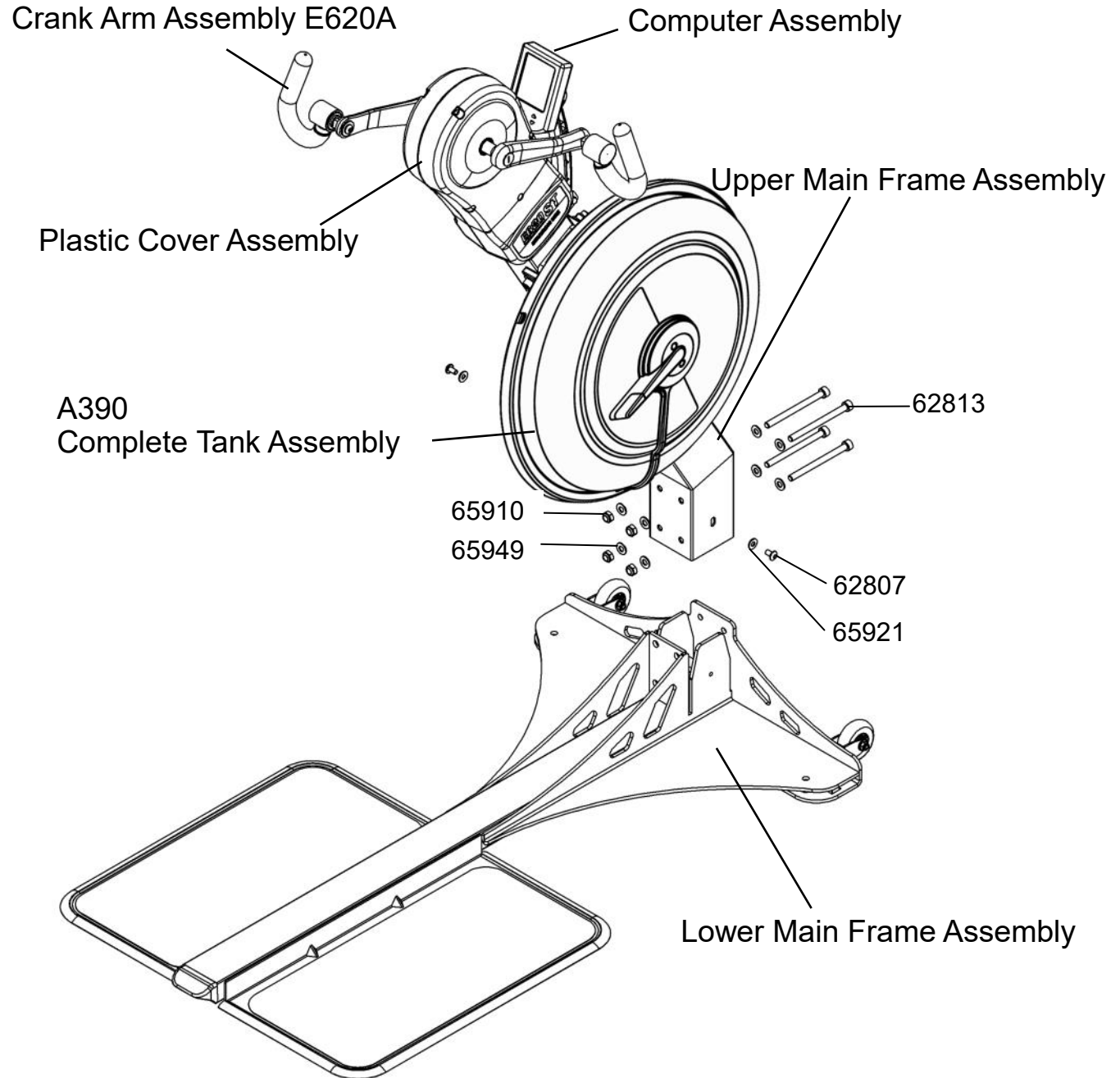
STANDING **UBE**

Exploded Diagram



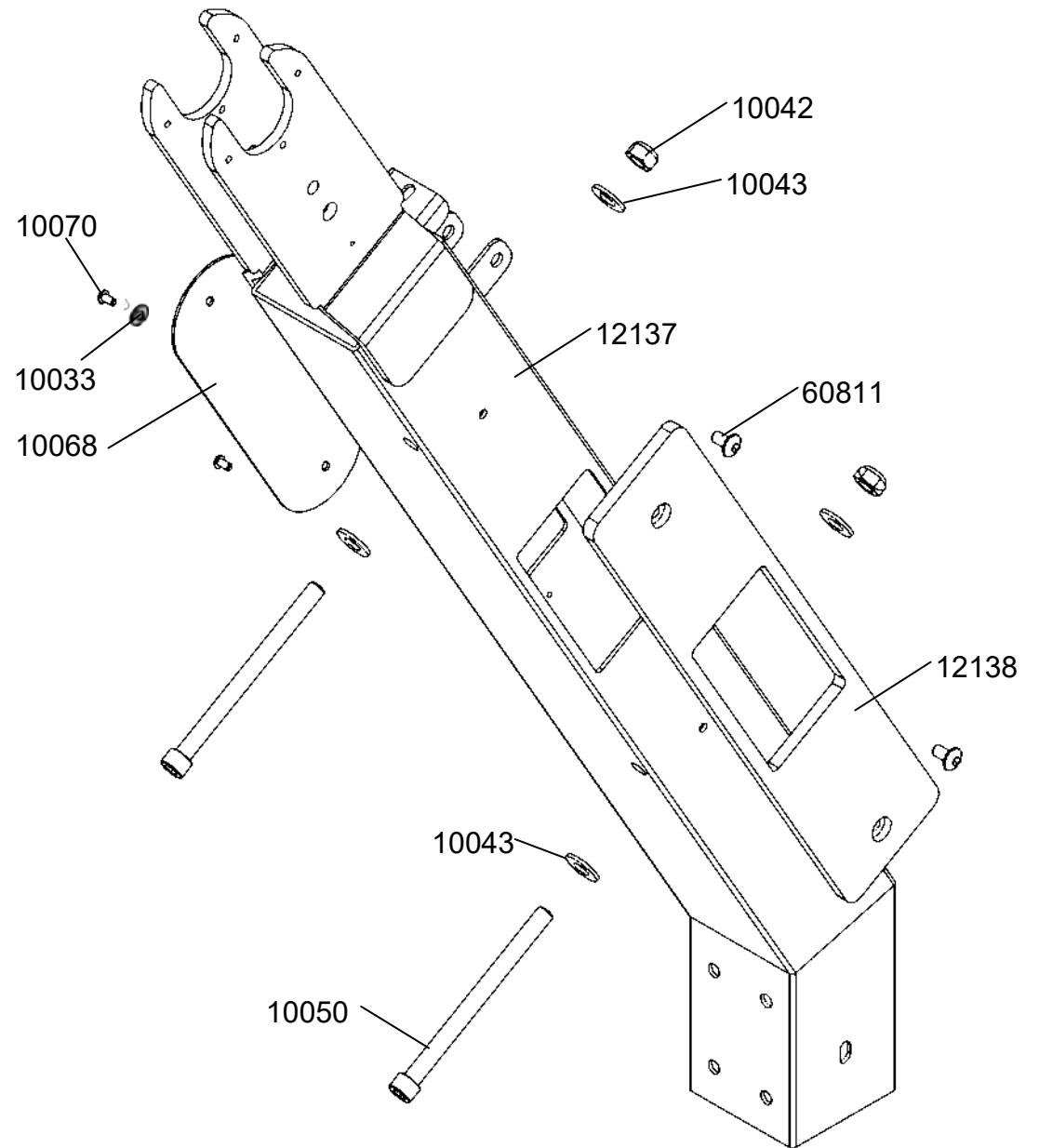
E650 Standing UBE

62807	2	Dome Head Bolt M8x15 - B
62813	4	Hex Head Bolt M10x130 - B
65910	4	Nyloc Nut M10 - B
65921	2	Washer M8.5x19x1.6t - B
65949	8	Washer M10x21x2t - B
A390	1	Complete Tank Assembly

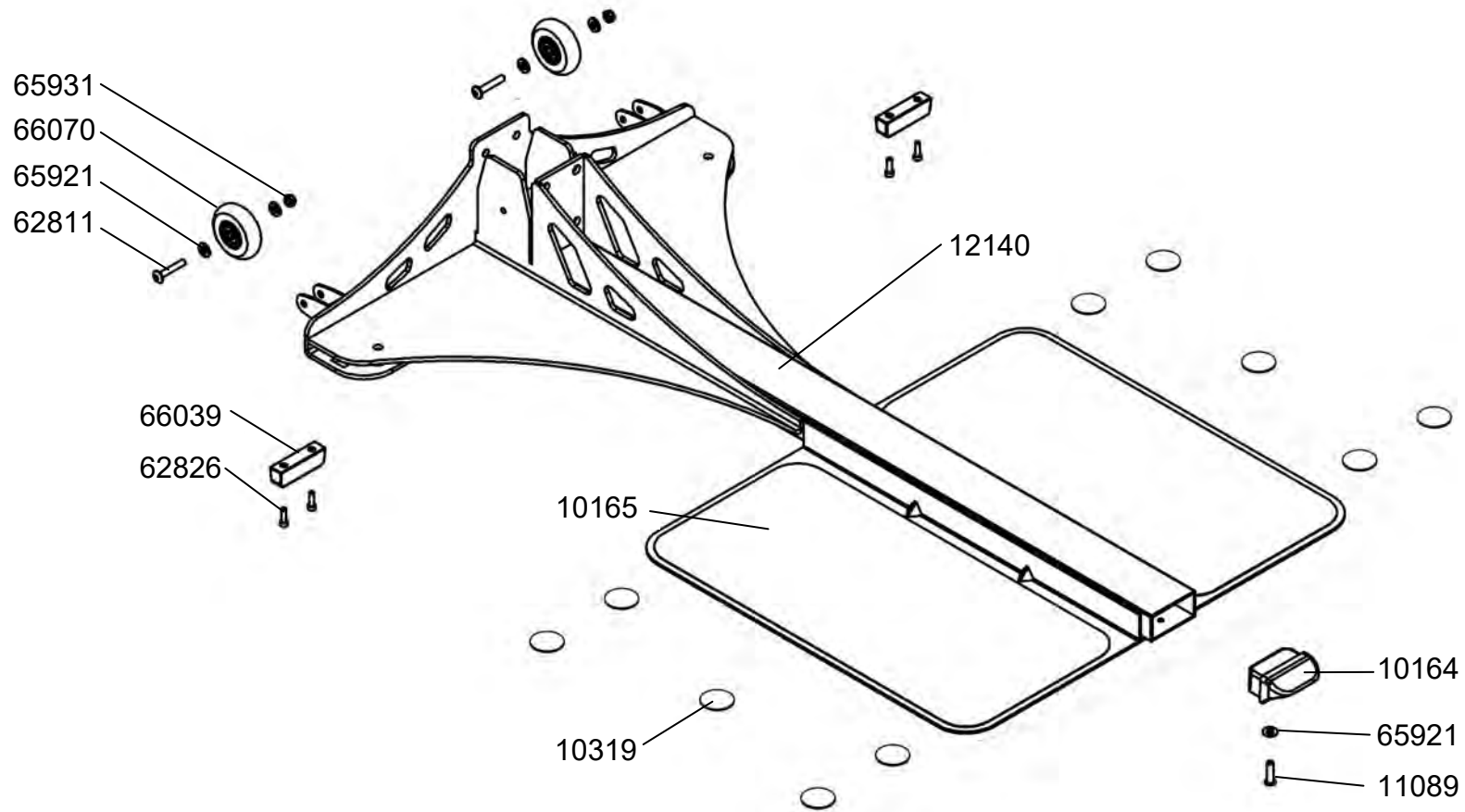


Upper Main Frame Assembly

10033	1	Washer M4.2x10x1t SUS
10042	2	Nyloc Nut M12
10043	4	Washer M13x24x2t
10050	2	Hex Head Bolt M12x150
10068	1	Steel Side Cover 276mm
10070	2	Round Head Phillips Screw M4x10
12137	1	Main Frame - E650
12138	1	PVC Board 500x100x10mm
60811	2	Dome Head Bolt M8x10

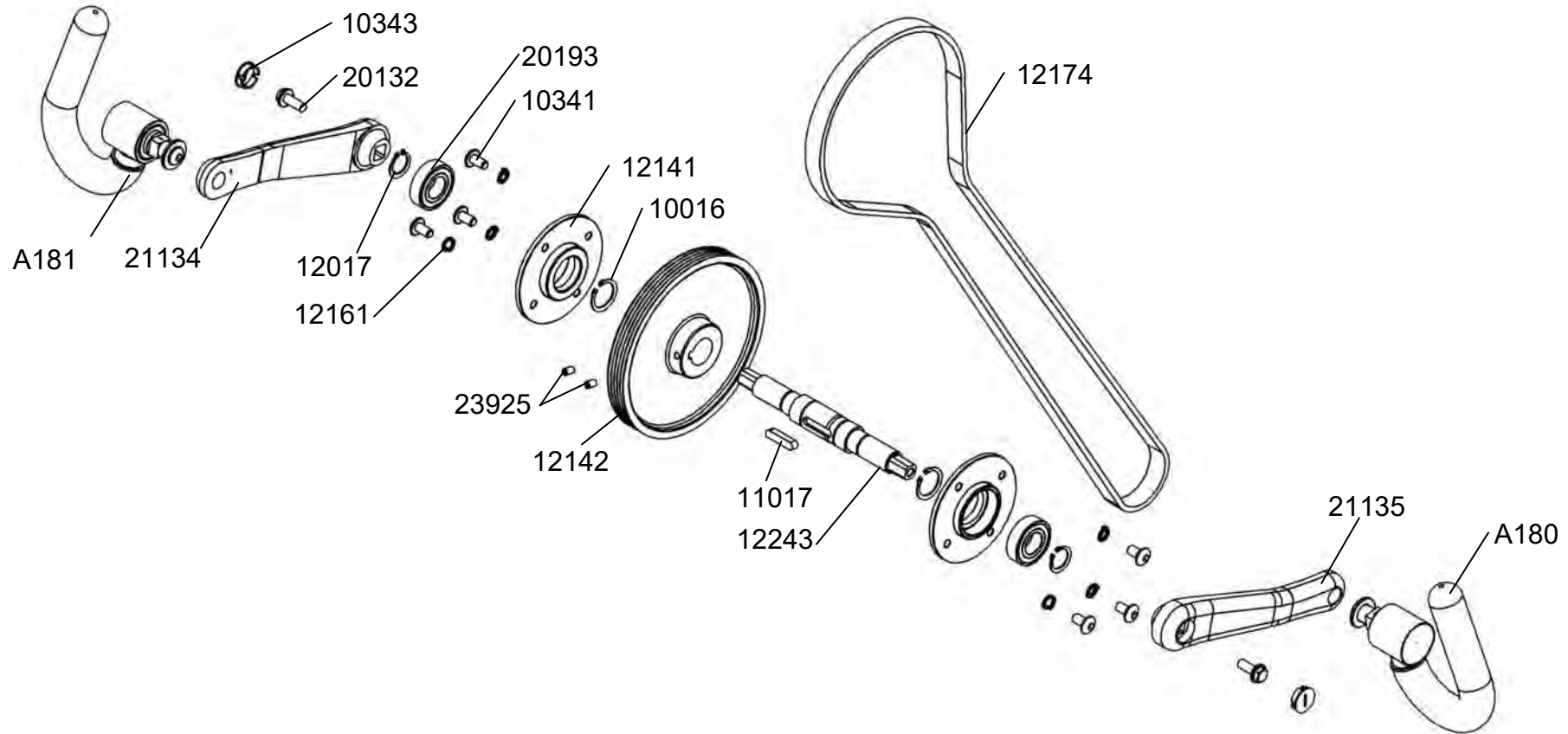


Lower Main Frame Assembly



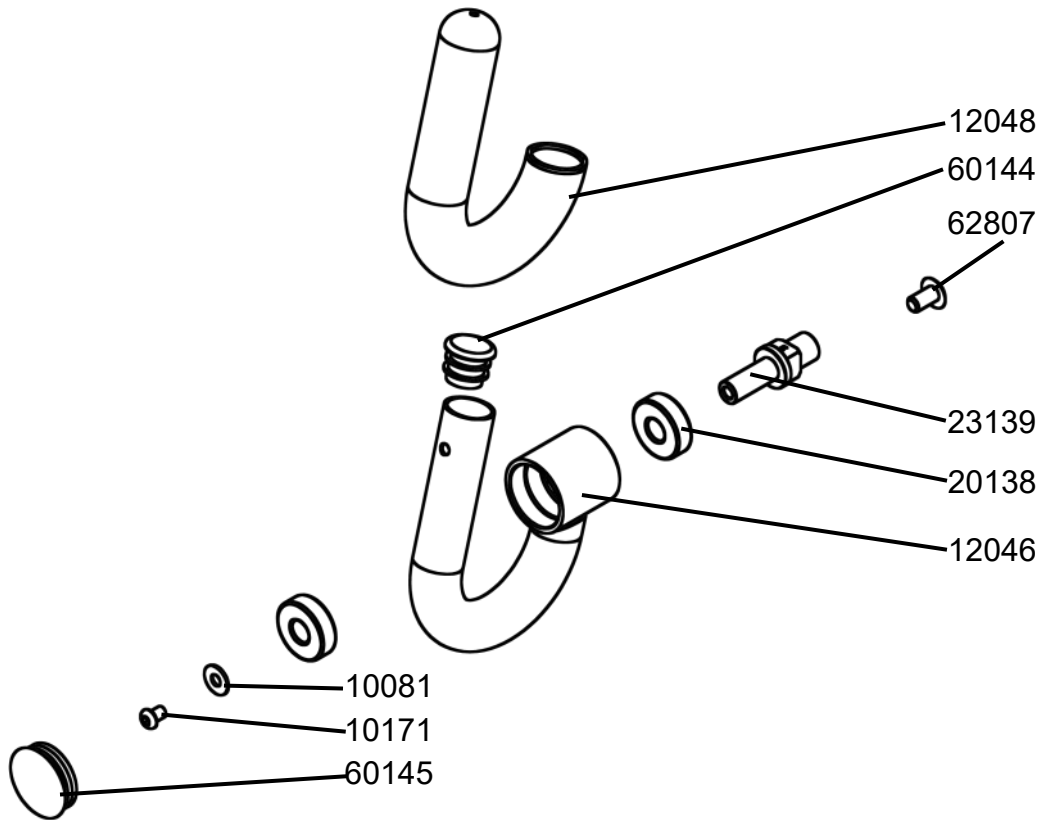
10164	1	End Cap 80x40	62826	4	Hex Head Bolt M6x10 - B
10165	2	Non Skid for Rower Foot Plate E620ST	65921	5	Washer M8.5x19x1.6t - B
10319	10	Rubber Pad	65931	2	Nyloc Nut M8 - B
11089	1	Dome Head Bolt M8x30 - B	66039	2	Side Rail Bumper
12140	1	Lower Main Frame E620ST	66070	2	Transport Wheel
62811	2	Dome Head Bolt M8x45 - B			

A599 Crank Arm Assembly Upgrade



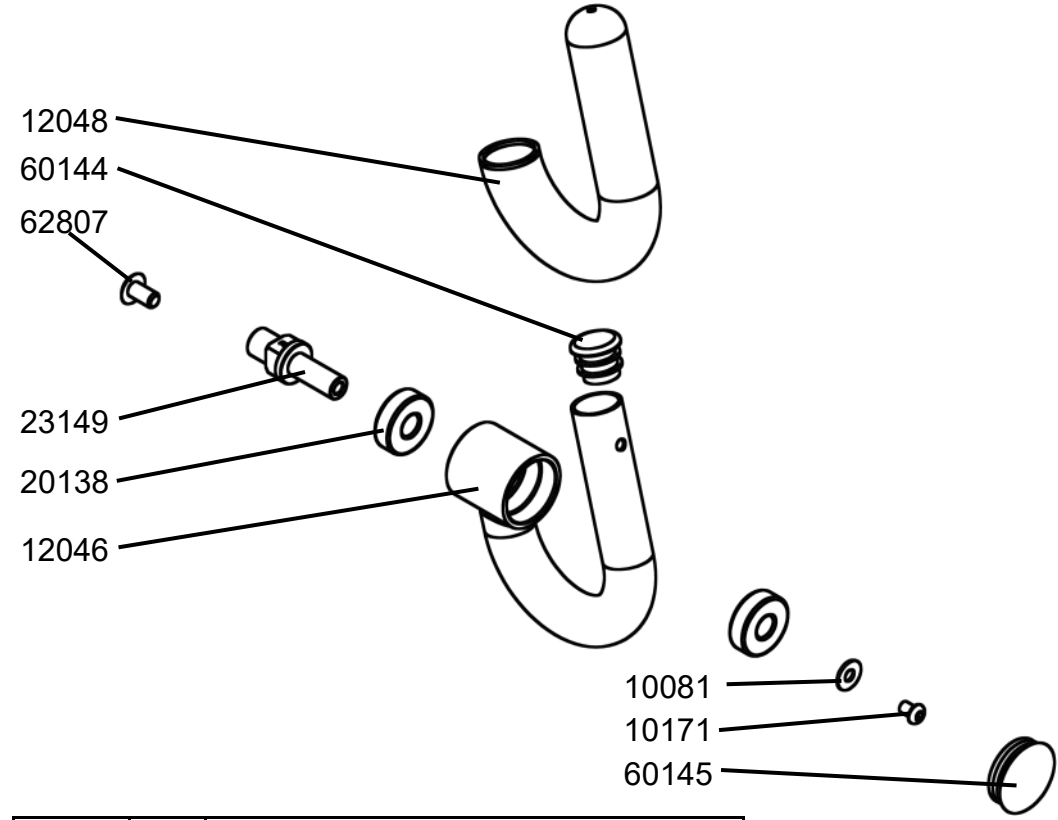
10016	2	C Clip STW-25	12243	1	Pulley Shaft
10341	6	Dome Head Bolt M6x15	20132	2	French Screw M8x20xP1.0
10343	2	End Cap for Crank-B	20193	2	NSK 6004ZZ Aluminum Block Housing Bearing
11017	1	Key Way 7x7x38	21134	1	Crank-Left - 620&820
12017	2	C Clip 20mm	21135	1	Crank-Right - 620&820
12141	2	Bearing Housing	23925	2	Grub Screws M6x10
12142	1	7PK Transmission Pulley 170mm	A180	1	Handle Complete - Right
12161	6	Spring Washer M6	A181	1	Handle Complete - Left
12174	1	5PK Belt 1590			

A181 Handle Complete - Left



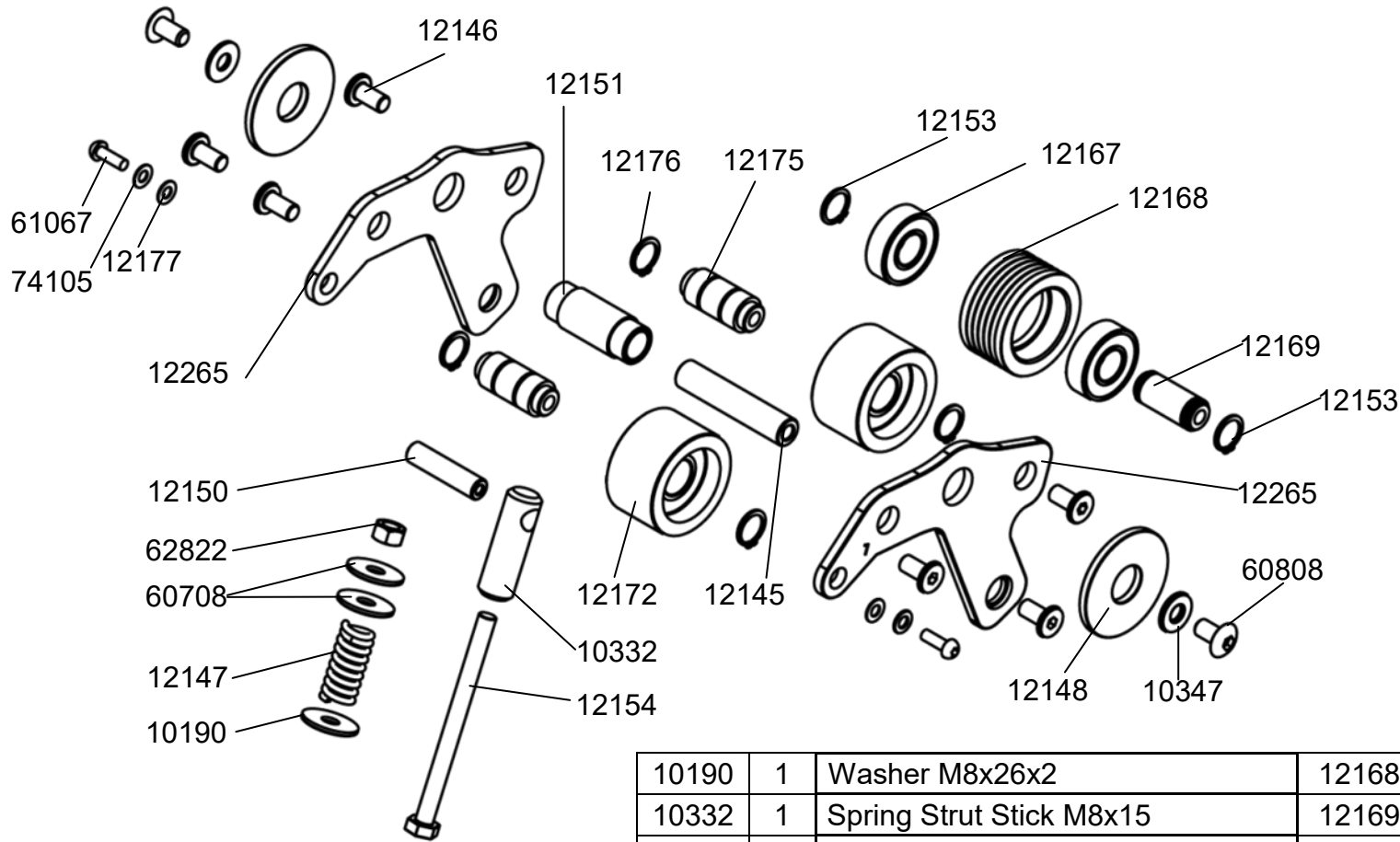
10081	1	Washer M6x16x1
10171	1	Dome Head Bolt M6x8
12046	1	Handle - E620ST- B
12048	1	Handle Grip - UBE
20138	2	Bearing NSK6201ZZ
23139	1	Handle Shaft with Bolt-Left
60144	1	Rower Handle End Inserts 28.6mm
60145	1	Frame Plug 38.1mm
62807	1	Dome Head Bolt M8x15 - B

A180 Handle Complete - Right



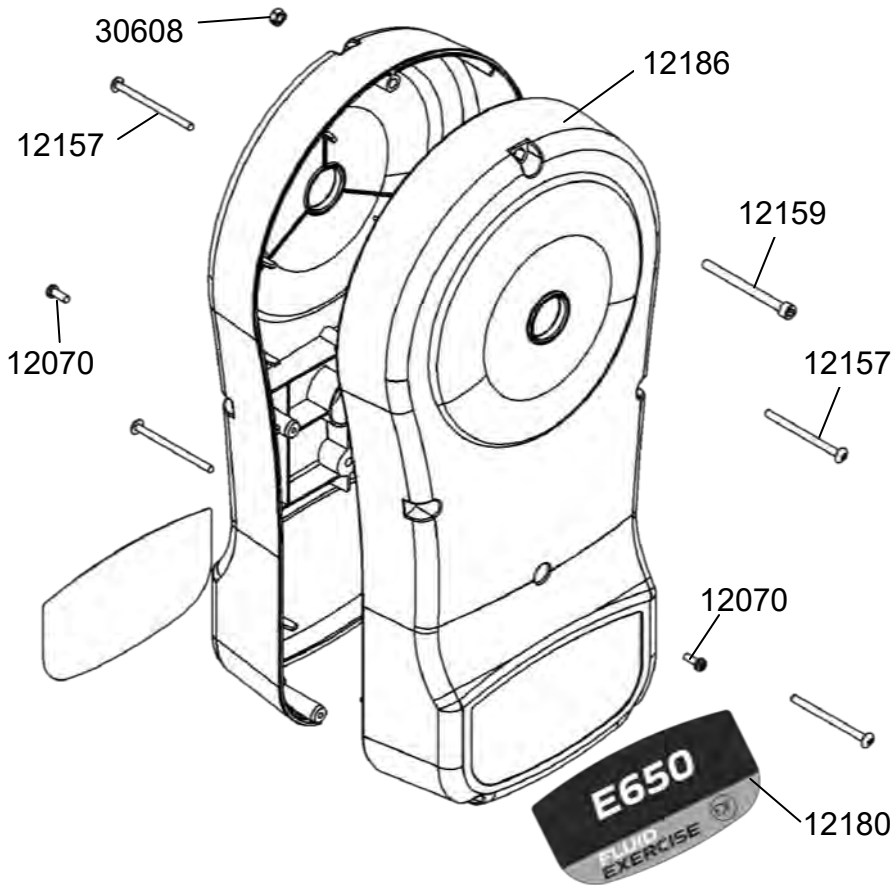
10081	1	Washer M6x16x1
10171	1	Dome Head Bolt M6x8
12046	1	Handle - E620ST- B
12048	1	Handle Grip - UBE
20138	2	Bearing NSK6201ZZ
23149	1	Handle Shaft with Bolt-Right
60144	1	Rower Handle End Inserts 28.6mm
60145	1	Frame Plug 38.1mm
62807	1	Dome Head Bolt M8x15- B

A393 Idle Wheel Assembly Upgrade



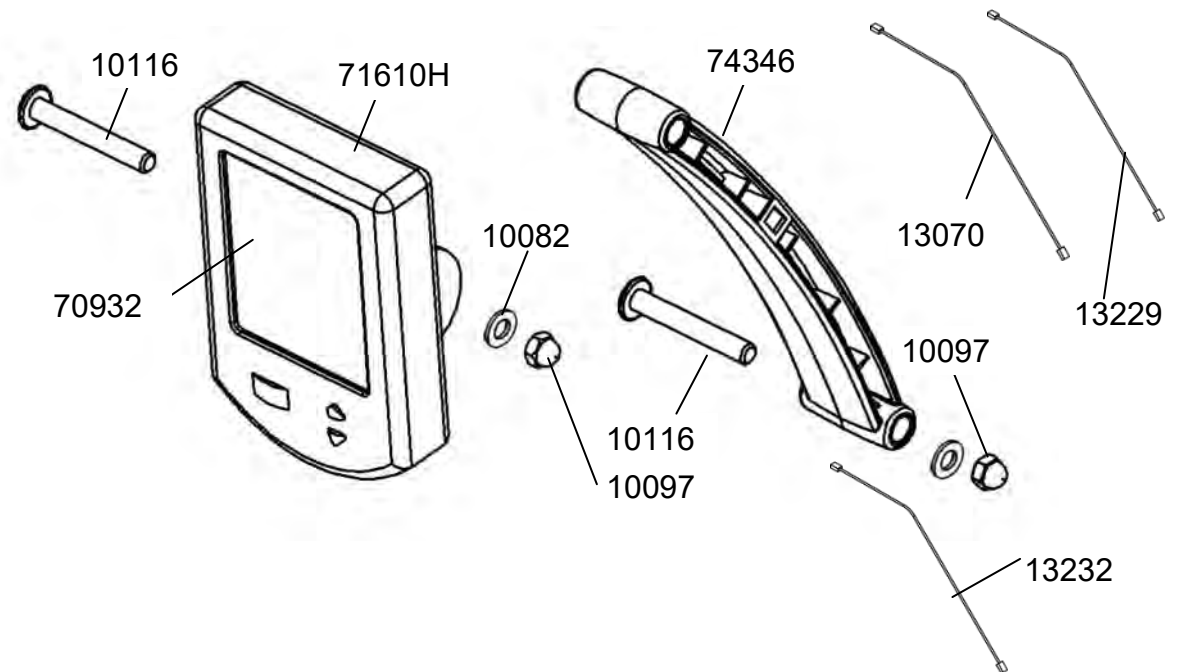
10190	1	Washer M8x26x2	12168	1	Pulley
10332	1	Spring Strut Stick M8x15	12169	1	Bearing Shaft L35.3mm
10347	2	Toothed Locked Washer M8	12172	2	Idle Wheel 50mm
12145	1	Idle Wheel Shaft	12175	2	Bearing Shaft L41.5mm
12146	6	Flat Head Bolt M8x15	12176	4	C Clip 17mm
12147	1	Spring D3mm L52mm	12177	2	Spring Washer M5
12148	2	Plastic Bushing 52x18.1mm	12265	1	Idle wheel Bracket - L & R
12150	1	Metal Bushing	60708	2	Washer M8x19x1.6
12151	1	Plastic Shaft	60808	2	Dome Head Bolt M8x15
12153	2	C Clip 15mm	61067	2	Dome Head Bolt M5x15
12154	1	Hex Head Bolt M8x120 - B	62822	1	Nut M8 - B
12167	2	Bearing NSK 6202Z	74105	2	Washer M5 - SUS

Plastic Cover Assembly



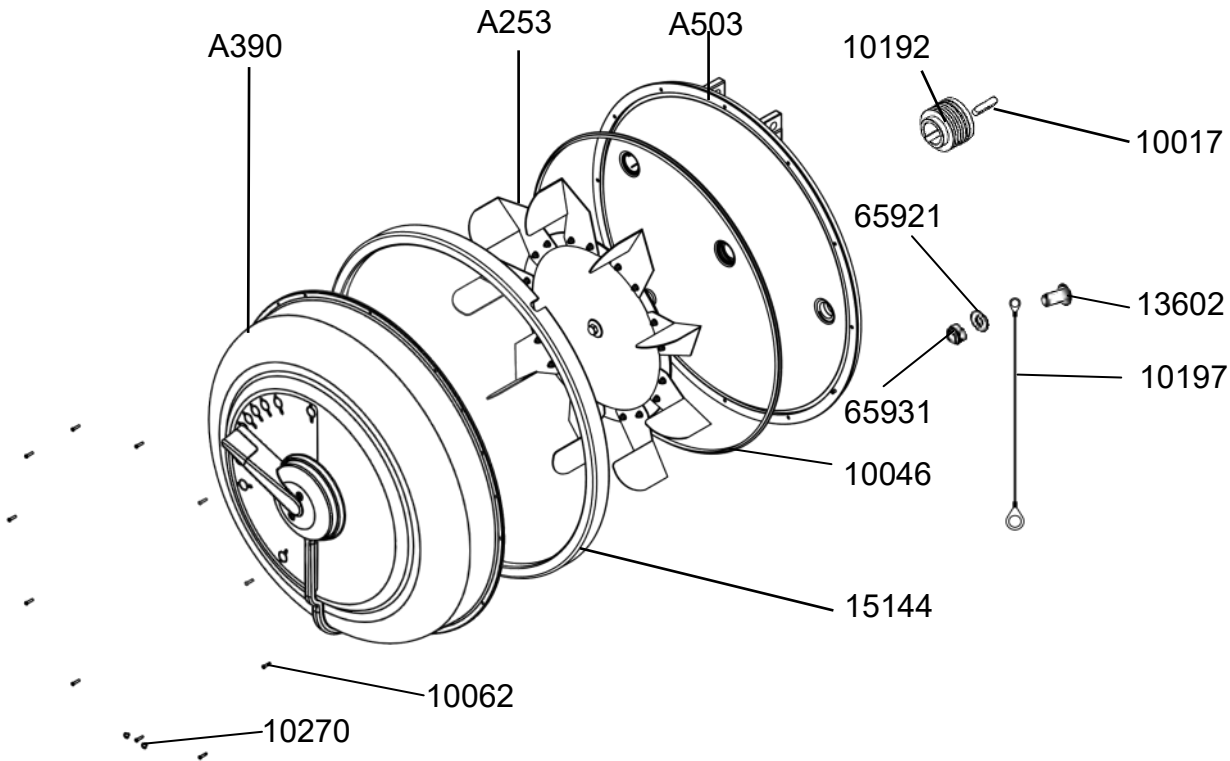
12070	2	Round Head Phillips Screw M4x10 - B
12186	2	Plastic Cover with Decal #12180
12157	4	Bolt 5/32 25mm
12159	1	Hex Head Bolt M5x60
30608	1	Nyloc Nut M5 - B

Computer Assembly



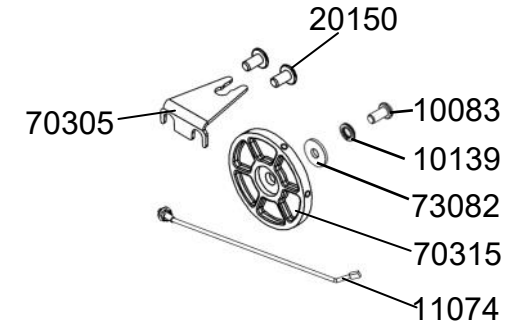
10082	2	Washer M10x21x2
10097	2	Nut Dome Head M10
10116	2	Dome Head Bolt M10x60
13070	1	Sensor Connecting Cable 300mm
13229	1	Level Wiring 900mm
13232	1	Computer Wiring 450mm
70932	1	LCD for Bluetooth Auto-Adjust Monitor
71610H	1	Bluetooth Auto-Adjust Monitor - E650
74346	1	Plastic Computer Stalk

A410 Complete Tank Assembly



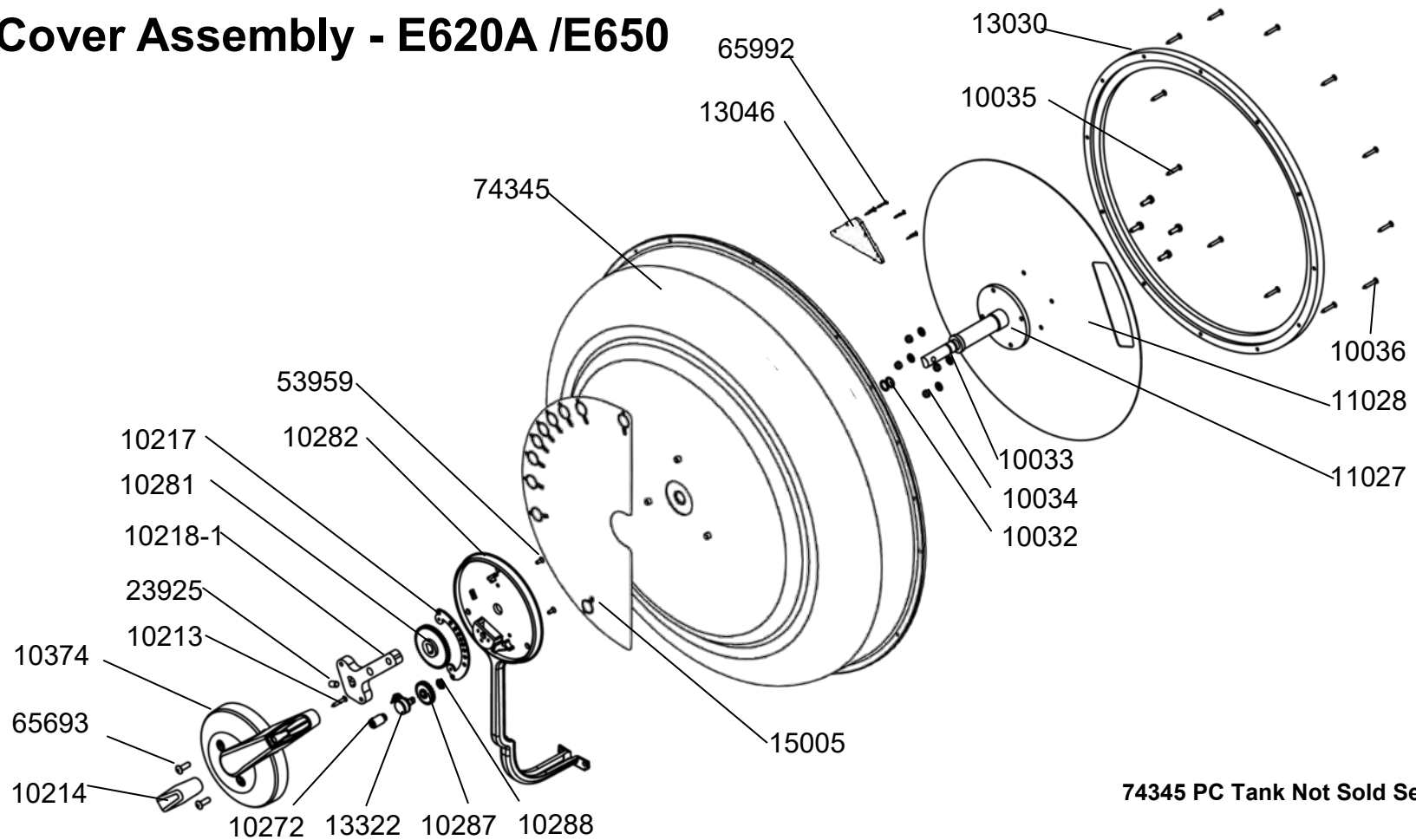
A253	1	Flywheel Assembly
A390	1	Tank Cover Assembly
A503	1	Tank Back Kit - Black
10017	1	Key Way 7x7x32
10046	1	Tank Large Seal
10062	12	Round Head Phillips Screw M3x12 SUS
10192	1	Small 5PK Transmission Pulley
10197	1	Grounding wire with O-pin
10270	2	Round Head Phillips Screw M4x8 SUS
13602	1	Dome Head Bolt M8x20 - B
15144	1	Tank Outer Cover Ring - Black
65921	1	Washer M8.5x19x1.6t - B
65931	1	Nyloc Nut M8 - B

A306 Sensor Kit



10083	1	M10x20 Bolt
10139	1	Spring Washer M10
11074	1	Speed Sensor 450mm
20150	2	Dome Head Bolt M10x15
70305	1	Sensor Bracket
70315	1	Magnetic Ring & Rare Earth Magnet #60124
73082	1	Washer 30x10.2x3t SUS same as 10138

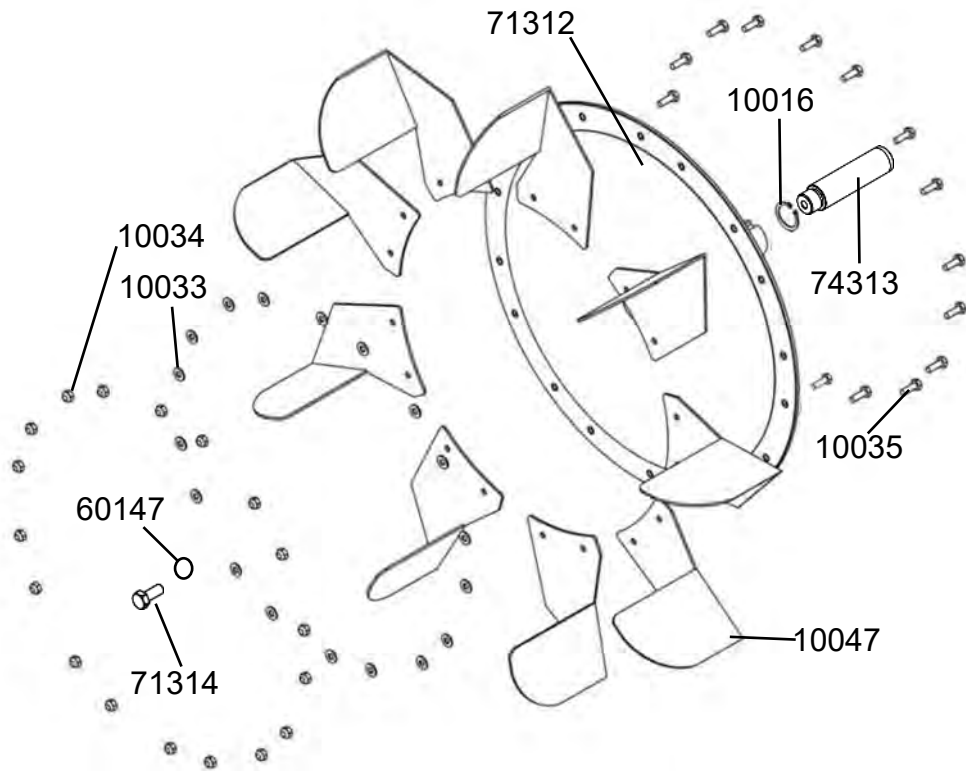
A390 Tank Cover Assembly - E620A /E650



74345 PC Tank Not Sold Separately

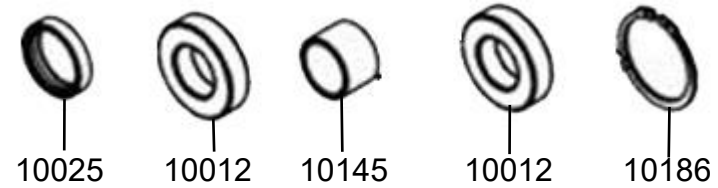
10032	2	Nylon Resistance Adjuster O Ring 12x9x1.5	10281	1	Gear M1T48
10033	4	Washer 10x4.2x1 SUS	10282	1	Lever Base incl. Potentiometer, #13322 Gear #10287 & Nut #10288
10034	4	Nut M4 SUS	10374	1	Adjuster Knob - Blue
10035	4	Hex Bolt M4 SUS	11027	1	Adjuster Handle Shaft
10036	12	Flat Tapping Screw M3x20 SUS	11028	1	Backing Plate 0.8mm SUS
10213	1	Counter Sunk Screw M3x25 - SUS	13030	1	Adjuster PP Tank Ring 358x10
10214	1	Adjuster Knob Cap	23925	1	Grub Screw M6x10
10217	1	Locating Plate	53959	2	Counter Sunk Bolt M3x8 - SUS
10218-1	1	Adjuster Handle	65693	2	Dome Head Bolt M5x15 - B
10272	1	M10 Ball Plunger	74345	1	PC Tank Cover with Decal #15005 & Triangle plate #13046 & Bolts #65992 - Gray

A253 Flywheel Assembly



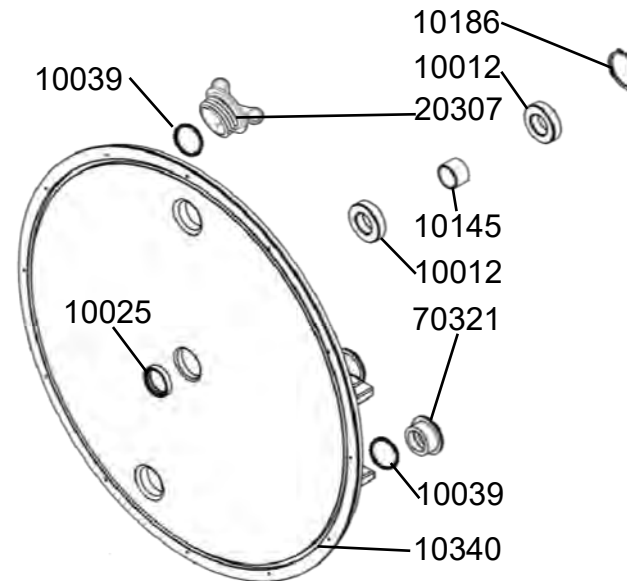
10016	1	C Clip STW-25
10033	18	Washer 10x4.2x1 SUS
10034	18	Nut M4 SUS
10035	18	Hex Bolt M4 SUS
10047	9	Impeller Blade
60147	1	O Ring 9.5x6.5x1.5
71312	1	Flywheel 620/720/820/920
71314	1	Hexagon Screws M8x20mm SUS
74313	1	Impeller Shaft E620ST

A012 Tank Bearing & Seal Kit



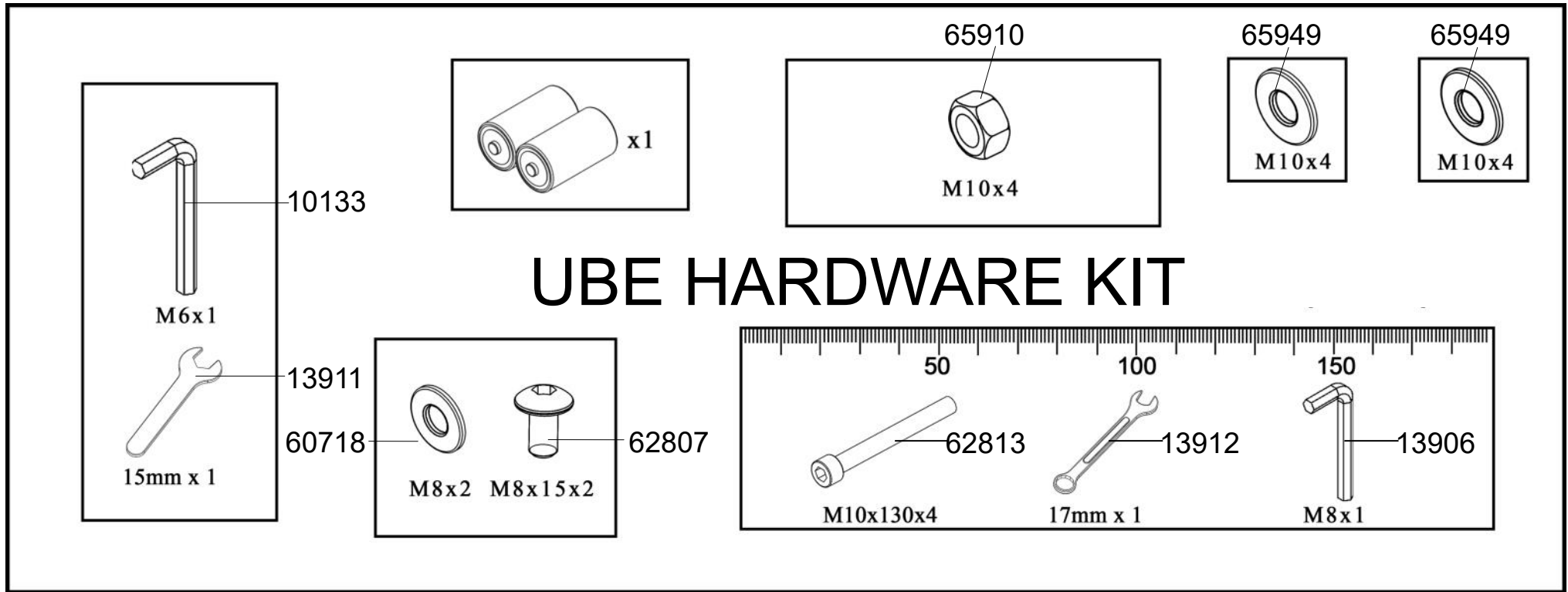
10012	2	Bearing NSK6005ZZ
10025	1	Seal NBR 37x30x8t for Flywheel Shaft
10145	1	Bearing Spacer 30x25.1x20.5mm
10186	1	C Clip RTW-48

A503 Tank Back Kit - Black



10012	2	Bearing NSK6005ZZ
10025	1	Seal NBR 37x30x8t for Flywheel Shaft
10145	1	Bearing Spacer 30x25.1x20.5mm
10186	1	C Clip RTW-48
10340	1	Tank Back - Black
20307	1	Wing Plug Black with Flat O-Ring #10039
70321	1	Tank Plug Black with O-Ring #10039

HUBE - Hardware Kit



10133	1	6mm Allen key
10208	1	D Cell Duracell Battery
13911	1	15mm Spanner
13912	1	17mm Spanner
13913	1	8mm Allen key
62807	2	Dome Head Bolt M8x15 - B
62813	4	Hex Head Bolt M10x130 - B
65910	4	Nyloc Nut M10 - B
65921	2	Washer M8.5x19x1.6t - B
65949	8	Washer M10x21x2t - B